

TRITUS[®]

Submersible electric pumps with grinder



MADE IN ITALY

 **PEDROLLO[®]**
the spring of life

TRITUS

Submersible electric pumps with grinder

 Sewage water

 Domestic use

 Industrial use

TRITUS submersible shredder pumps are recognised for their reliability and high operational safety: not subject to locking. The grinding unit with its offset cutting system drastically reduces the motor torque requirement. It grinds thoroughly, using less power, and eliminates clogging caused by particularly problematic objects such as plastic, rubber, fabric items, sanitary pads, wet wipes, protective masks, latex gloves and other hygiene products.

These grinder pumps are therefore recommended where it is necessary to convey wastewater over long distances or through pipes of a compact size, for plants not suited for being fitted with gravity systems or located in areas not served by sewerage systems.

They are recommended for:

- waste from slaughterhouses
- food industries
- paper mills
- farms
- other manufacturing activities
- for toilet systems

- ✳ The shredder is manufactured entirely of high strength **AISI 440 C** tempered stainless steel
- ✳ Double mechanical seal with an interposed oil chamber
- ✳ All cast iron parts with **cataphoresis treatment**
- ✳ Control box with a manual reset motor protection and with a starting and operating condenser (only for single phase versions)



PERFORMANCE RANGE

- Flow rate up to **410 l/min** (24.6 m³/h)
- Head up to **44.5 m**

APPLICATION LIMITS

- **10 m** maximum immersion depth (with a sufficiently long power cable)
- Maximum liquid temperature **+40°C**
- Suction down to:
 - **85 mm** for TR 0.75, TR 0.9, TR 1.1, TR 1.3
 - **95 mm** for TR 1.5, TR 2.2, TR 2.2 AP, TR 3 AP, TR 3, TR 4
- Minimum immersion depth for continuous service:
 - **300 mm** for TR 0.75, TR 0.9, TR 1.1, TR 1.3
 - **350 mm** for TR 1.5, TR 2.2, TR 2.2 AP, TR 3 AP, TR 3, TR 4

CONSTRUCTION AND SAFETY STANDARDS

- **10 m** long power cable
- External float switch and control box for single-phase versions

INSTALLATION AND USE

The **TRITUS** series of grinder pumps, built in thick cast iron, exceptional strength, abrasion resistance and durability, are fitted with a **GRINDER in tempered stainless steel of great resistance** which completely grinds up solid bodies and fibres in waste and reflux water from domestic, civil and industrial applications and conveys it under pressure into the sewers through small diameter pipes.

PATENTS - TRADEMARKS - MODELS

- Patent No. EP2313658
- Patent No. IT0001428923
- Registered EU Design No. 002501486-0002, 008625685-0005, 008625685-0006
- TRITUS® Registered trademark No. 013017181

OPTIONS AVAILABLE ON REQUEST

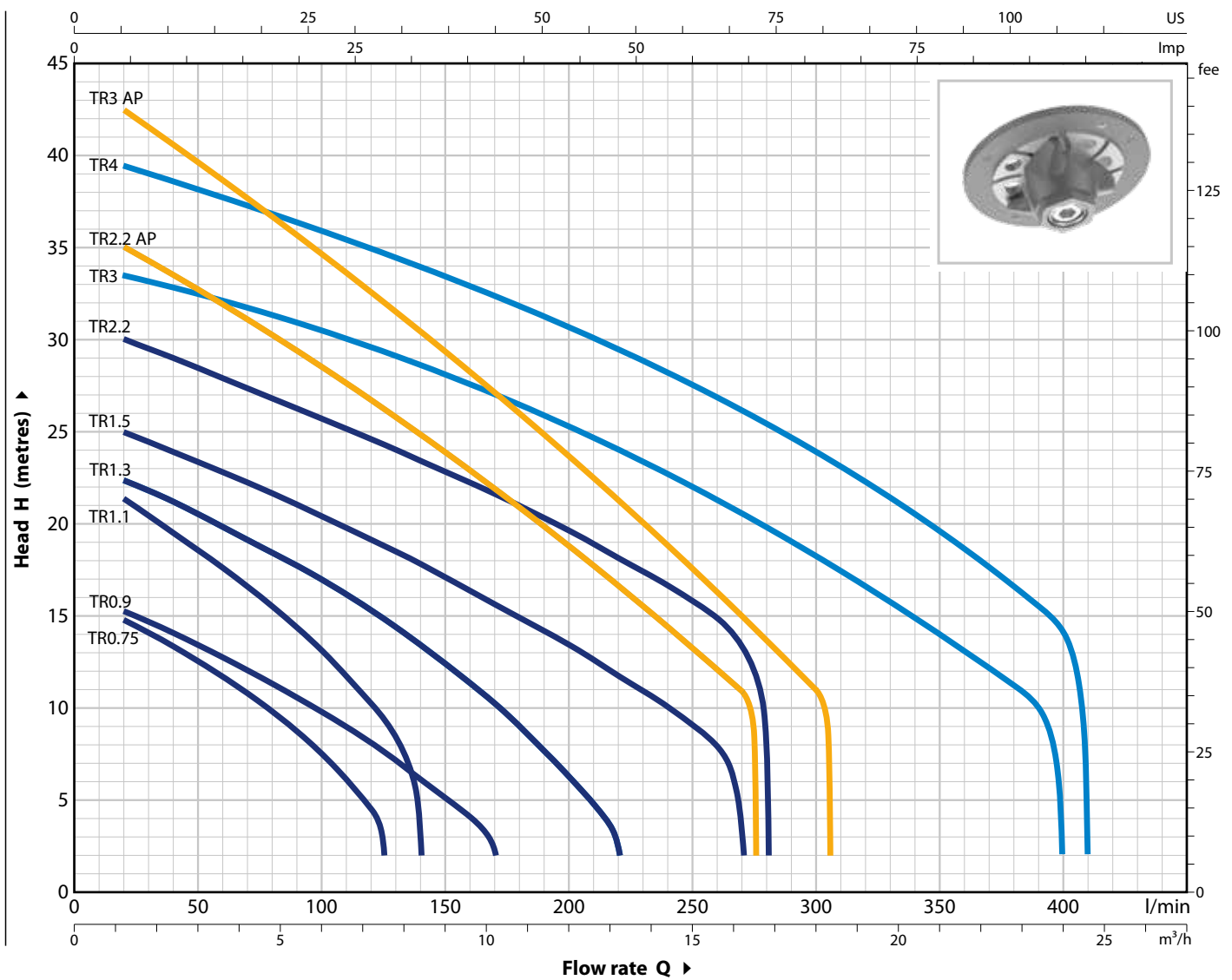
- Single-phase electric pumps without a float switch
- Other voltages or 60 Hz frequency

WARRANTY

2 years as per our general terms and conditions of sale

CHARACTERISTIC CURVES AND PERFORMANCE DATA

50 Hz



MODEL		POWER (P ₂)		Q	Flow rate															
Single-phase	Three-phase	kW	HP		m ³ /h	0	1.2	2.4	3.6	4.8	6	7.5	8.4	10.2	12	13.2	14.4	16.2	16.8	
				l/min	0	20	40	60	80	100	125	140	170	200	220	240	270	280		
TRm 0.75	TR 0.75	0.75	1	H metres	16.5	15	13.5	11.8	10	7.5	2									
TRm 0.9	TR 0.9	0.9	1.25		16	15	13.8	12.5	11.1	9.6	7.5	6	2							
TRm 1.1	TR 1.1	1.1	1.5		23	21.5	19.5	17.5	15.5	13	9.5	2								
TRm 1.3	TR 1.3	1.3	1.75		23.5	22.5	21.2	19.8	18.4	17	14.8	13.4	10.2	6.2	2					
TRm 1.5	TR 1.5	1.5	2		26	25	24	22.8	21.7	20.4	18.8	17.8	15.6	13.4	11.7	10	2			
-	TR 2.2	2.2	3		31	30	29	28	26.8	25.7	24.3	23.5	21.5	19.5	18	16.5	13.2	2		

MODEL		POWER (P ₂)		Q	Flow rate										
Single-phase	Three-phase	kW	HP		m ³ /h	0	1.2	3	6	9	12	15	16.5	18	18.3
				l/min	0	20	50	100	150	200	250	275	300	305	
TRm 2.2 AP	TR 2.2 AP	2.2	3	H metres	36.5	35	33	28.5	23.8	18.7	13.2	2			
-	TR 3 AP	3	4		44.5	42.5	40	35	29.5	23.7	17.5	14.3	11	2	

MODEL		POWER (P ₂)		Q	Flow rate													
Three-phase		kW	HP		m ³ /h	0	1.2	3	6	9	12	15	16.5	18	21	24	24.6	
				l/min	0	20	50	100	150	200	250	275	300	350	400	410		
TR 3		3	4	H metres	34.5	33.5	32.5	30.4	28	25.2	22	20.3	18.4	14.2	2			
TR 4		4	5.5		40	39.5	38	35.7	33.3	30.6	27.4	25.7	23.8	19.4	14.3	2		

Q = Flow rate H = Total manometric head

Tolerance of characteristic curves in compliance with EN ISO 9906 Grade 3B.

TRITUS 0.75 ÷ 1.3

POS. COMPONENT CONSTRUCTION CHARACTERISTICS

1	PUMP BODY	Cast iron with an epoxy electro coating treatment, with threaded port in compliance with ISO 228/1
2	IMPELLER	Technopolymer open type
3	GRINDER	Hardened AISI 440C stainless steel
4	MOTOR SHAFT	Stainless steel AISI 431
5	MOTOR CASING	Cast iron with cataphoresis treatment

6 DOUBLE MECHANICAL SEAL IN OIL CHAMBER

Seal Model	Shaft Diameter	Position	Materials		
			Stationary ring	Rotational ring	Elastomer
MG1-14D SIC	Ø 14 mm	Motor side	Silicon carbide	Graphite	NBR
		Pump side	Silicon carbide	Silicon carbide	NBR

7 BEARINGS 6203 ZZ-C3E

8 ELECTRIC MOTOR

TRm: single-phase 230 V - 50 Hz
with thermal overload protector incorporated into the winding

TR: three-phase 400 V - 50 Hz

- Insulation: class F
- Protection: IP X8

9 POWER CABLE

"H07 RN-F" type

- **Standard length 10 metres**

10 EXTERNAL FLOAT SWITCH

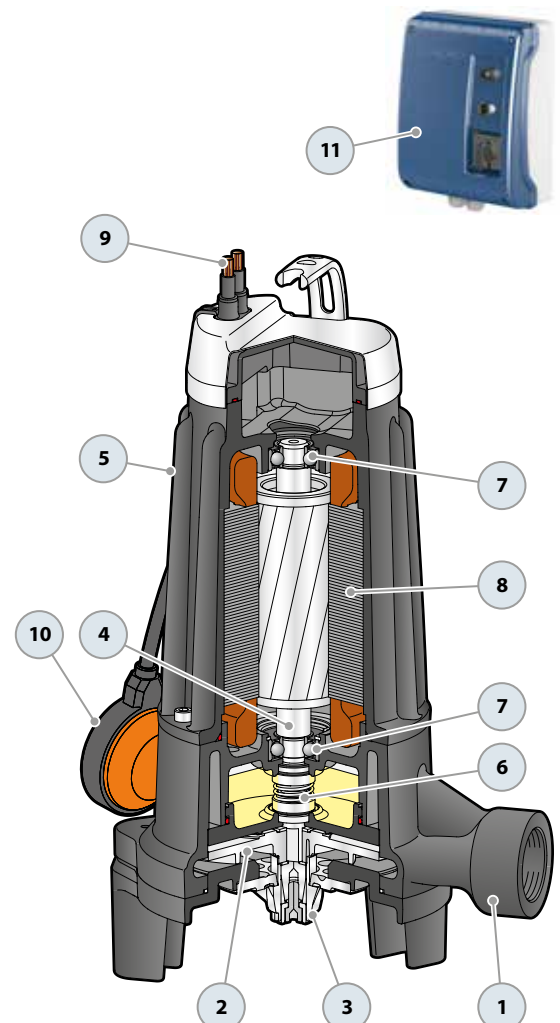
(for single-phase versions only)

11 CONTROL BOX

(for single-phase versions only)

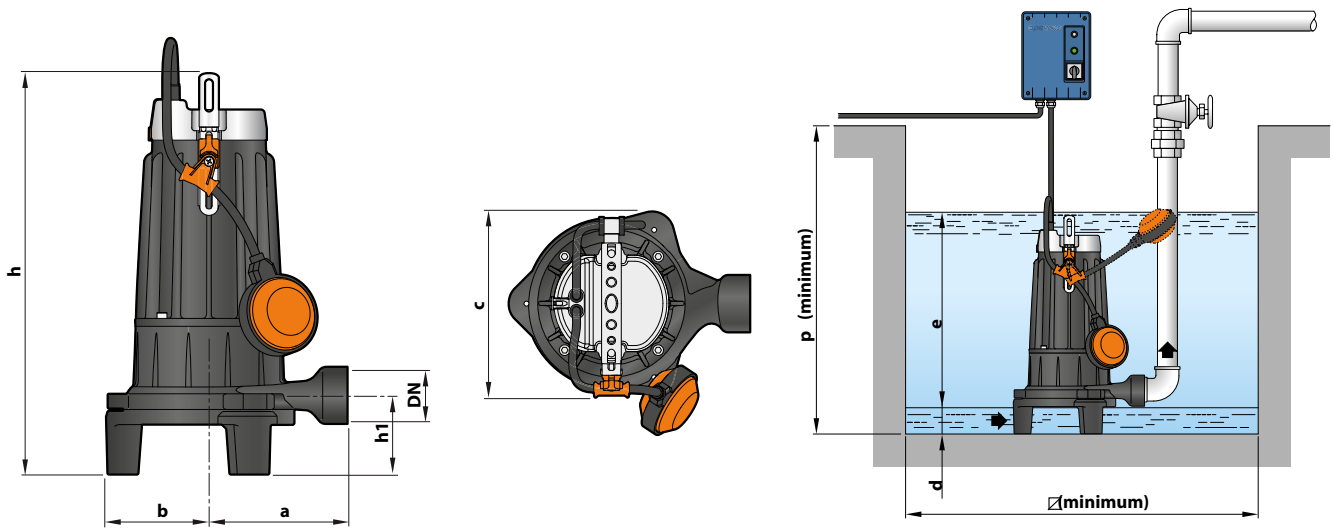
With manual overload cut-out and with starting and operating capacitors.

**Standard equipment
Control box**
(for single-phase versions only)



DIMENSIONS AND WEIGHTS

Typical installation (for single-phase version)



MODEL		PORT DN	DIMENSIONS mm									kg *	
Single-phase	Three-phase		a	b	c	h	h1	d	e	p	∅	1~	3~
TRm 0.75	TR 0.75	1 1/4"	140	104	186	406	80	85	adjustable	500	500	24.0	22.0
TRm 0.9	TR 0.9											23.9	22.2
TRm 1.1	TR 1.1											25.7	23.2
TRm 1.3	TR 1.3											25.5	23.1

(* weight of pump without control box)

ABSORPTION

MODEL	VOLTAGE	
Single-phase	230 V	240 V
TRm 0.75	5.5 A	5.4 A
TRm 0.9	6.0 A	5.8 A
TRm 1.1	7.4 A	7.1 A
TRm 1.3	9.0 A	8.6 A

MODEL	VOLTAGE			
Three-phase	230 V	400 V	240 V	415 V
TR 0.75	4.3 A	2.5 A	4.2 A	2.4 A
TR 0.9	4.5 A	2.6 A	4.3 A	2.5 A
TR 1.1	5.2 A	3.0 A	5.0 A	2.9 A
TR 1.3	6.6 A	3.8 A	6.2 A	3.6 A

PALLETIZATION

MODEL	GROUPAGE
Single-phase	no. of pumps
TRm 0.75	36
TRm 0.9	36
TRm 1.1	36
TRm 1.3	36

MODEL	GROUPAGE
Three-phase	no. of pumps
TR 0.75	60
TR 0.9	60
TR 1.1	60
TR 1.3	60

CAPACITOR

MODEL	CAPACITY	
Single phase (230 V or 240 V)	Capacitance of the operating capacitor	Capacitance of the starting capacitor
TRm 0.75	25 µF 450 VL	80 µF 450 VL
TRm 0.9		
TRm 1.1		
TRm 1.3		

TRITUS 1.5 - 2.2

POS.	COMPONENT	CONSTRUCTION CHARACTERISTICS
1	PUMP BODY	Cast iron with an epoxy electro coating treatment, with threaded port in compliance with ISO 228/1
2	IMPELLER	Precision cast stainless steel AISI 304 open type
3	GRINDER	Hardened AISI 440C stainless steel
4	MOTOR SHAFT	Stainless steel AISI 431
5	MOTOR CASING	Cast iron with cataphoresis treatment

6 SHAFT WITH DOUBLE MECHANICAL SEAL SEPARATED BY AN OIL CHAMBER

Seal Model	Shaft Diameter	Position	Materials		
			Stationary ring	Rotational ring	Elastomer
STA-20	Ø 20 mm	Motor side	Ceramic	Graphite	NBR
STA-19	Ø 19 mm	Pump side	Silicon carbide	Silicon carbide	NBR

7 BEARINGS 3304 B-ZZ-C3 / 6304 ZZ-C3

8 ELECTRIC MOTOR

TRm: single-phase 230 V - 50 Hz
with thermal overload protector incorporated into the winding

TR: three-phase 400 V - 50 Hz
with thermal overload protector incorporated into the winding to connect to the control box

- Insulation: class F
- Protection: IP X8

9 POWER CABLE

"H07 RN-F" type

- **Standard length 10 metres**

10 EXTERNAL FLOAT SWITCH

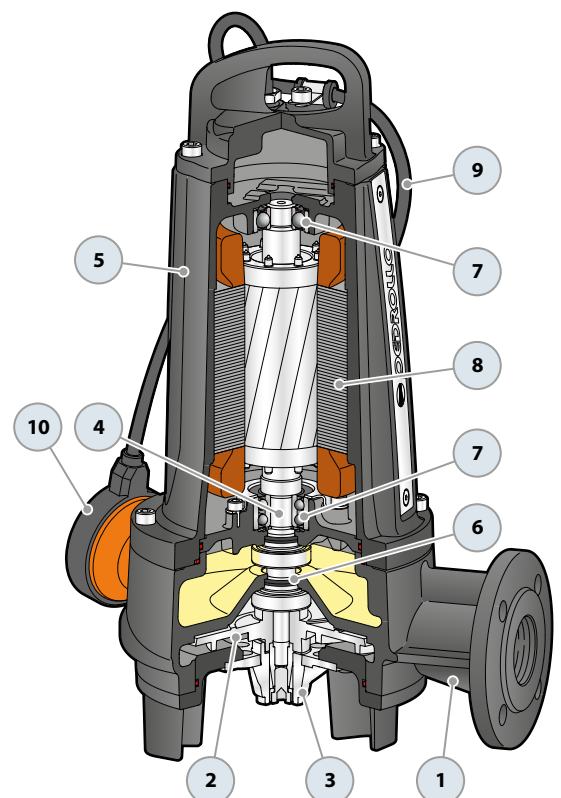
(for single-phase versions only)

11 CONTROL BOX

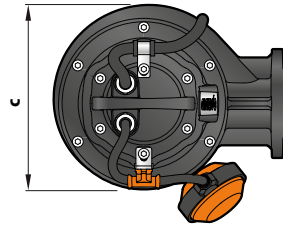
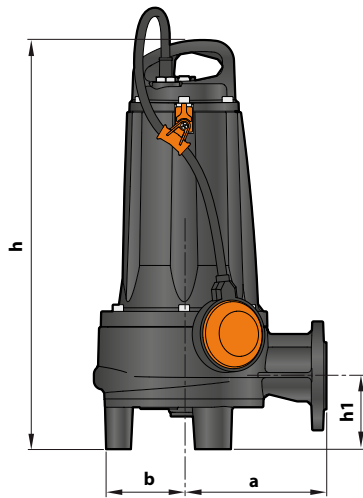
(for single-phase versions only)

With manual overload cut-out and with starting and operating capacitors.

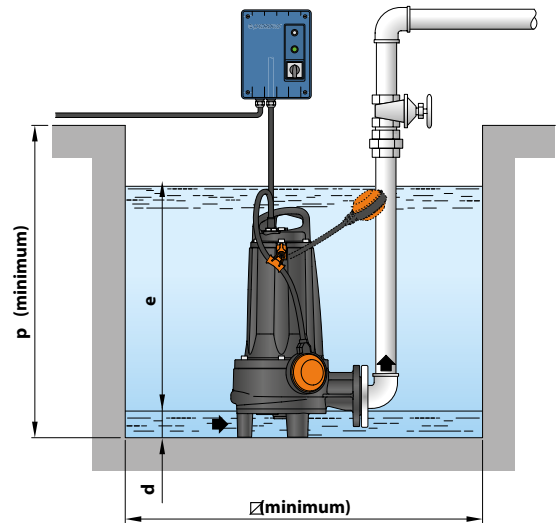
Standard equipment
Control box
(for single-phase versions only)



DIMENSIONS AND WEIGHTS



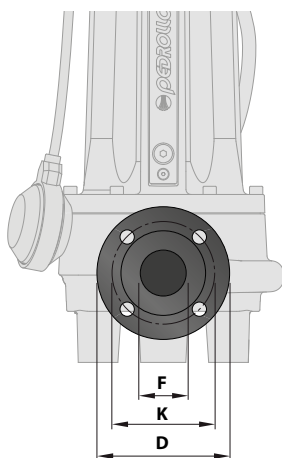
Typical installation (for single-phase version)



MODEL		DIMENSIONS mm									kg	
Single-phase	Three-phase	a	b	c	h	h1	d	e	p	Ø	1~	3~
TRm 1.5	TR 1.5	172	105	221	489	87.5	95	adjustable	800	800	45.0	44.0
-	TR 2.2										-	44.0

PORT FLANGE

MODEL		FLANGE	F	K	D	HOLES	
Single-phase	Three-phase	DN		mm	mm	No.	Ø (mm)
TRm 1.5	TR 1.5	40 (PN6)	1½"	100	130	4	14
-	TR 2.2						



ABSORPTION

MODEL	VOLTAGE
Single-phase	230 V
TRm 1.5	10.0 A
MODEL	VOLTAGE
Three-phase	400 V
TR 1.5	3.7 A
TR 2.2	5.5 A

CAPACITOR

MODEL	CAPACITY	
Single phase (230 V or 240 V)	Capacitance of the operating capacitor	Capacitance of the starting capacitor
TRm 1.5	50 µF 450 VL	80 µF 450 VL

PALLETIZATION

MODEL	PER GROUPAGE
	no. of pumps
TRm 1.5	10
TR 1.5	12
TR 2.2	12

TRITUS 2.2 ÷ 4

POS.	COMPONENT	CONSTRUCTION CHARACTERISTICS
1	PUMP BODY	Cast iron with an epoxy electro coating treatment, with threaded port in compliance with ISO 228/1
2	IMPELLER	Precision cast stainless steel AISI 304 open type
3	GRINDER	Hardened AISI 440C stainless steel
4	MOTOR SHAFT	Stainless steel AISI 431
5	MOTOR CASING	Cast iron with cataphoresis treatment
6	MOTOR BRACKET	Cast iron with cataphoresis treatment

7 SHAFT WITH DOUBLE MECHANICAL SEAL SEPARATED BY AN OIL CHAMBER

Seal Model	Shaft Diameter	Position	Materials		
			Stationary ring	Rotational ring	Elastomer
STA-24	Ø 24 mm	Motor side	Ceramic	Graphite	NBR
STA-22	Ø 22 mm	Pump side	Silicon carbide	Silicon carbide	NBR

8 BEARINGS 3305 B-2RS-EA5 / 6204-ZZ-EA3

9 ELECTRIC MOTOR

TRm: single-phase 230 V - 50 Hz
with thermal overload protector incorporated into the winding

TR: three-phase 400 V - 50 Hz
with thermal overload protector incorporated into the winding to connect to the control box

- Insulation: class F
- Protection: IP X8

10 POWER CABLE

"H07 RN-F" type
Standard length 10 metres

11 EXTERNAL FLOAT SWITCH

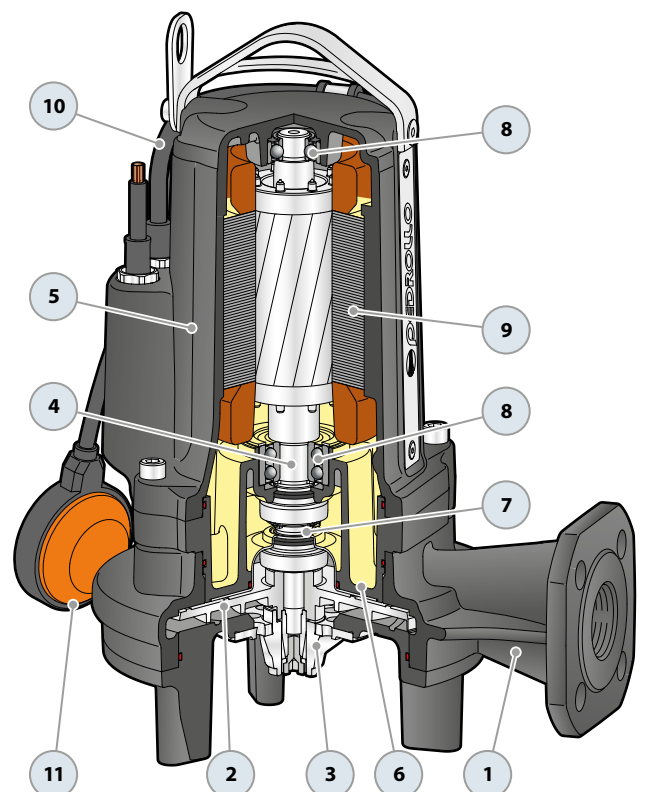
(for single-phase versions only)

12 CONTROL BOX

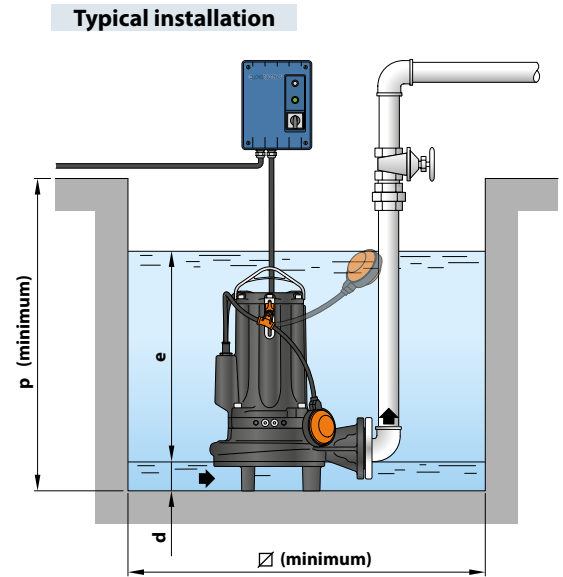
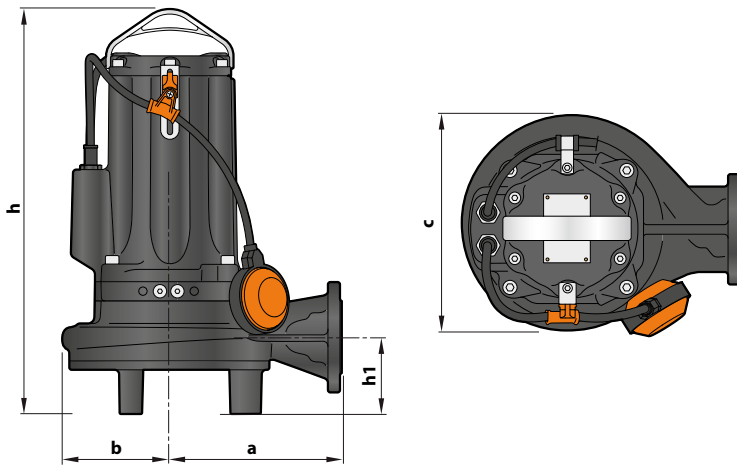
(for single-phase versions only)

With manual overload cut-out and with starting and operating capacitors.

**Standard equipment
Control box**
(for single-phase versions only)



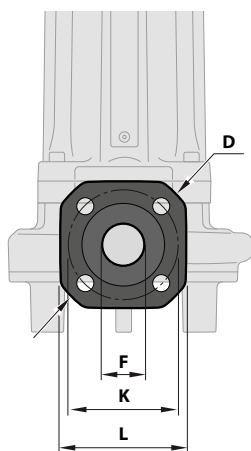
DIMENSIONS AND WEIGHTS



MODEL		DIMENSIONS mm									kg	
Single-phase	Three-phase	a	b	c	h	h1	d	e	p	Ø	1~	3~
TRm 2.2 AP	TR 2.2 AP	203	126	256	480 453	90	95	adjustable	800	800	53.5	47.0
-	TR 3 AP				480						-	53.0
-	TR 3				-						53.0	
-	TR 4				-						54.0	

PORT FLANGE

MODEL		FLANGE	F	K	D	L	HOLES	
Single-phase	Three-phase	DN		mm	mm	mm	No.	Ø mm
TRm 2.2 AP	TR 2.2 AP	40 (PN10)	1½"	110	150	130	4	18
-	TR 3 AP							
-	TR 3							
-	TR 4							



ABSORPTION

MODEL	VOLTAGE
Single-phase	230 V
TRm 2.2 AP	14.0 A

MODEL	VOLTAGE
Three-phase	400 V
TR 2.2 AP	5.5 A
TR 3 AP	6.3 A
TR 3	6.3 A
TR 4	7.5 A

CAPACITOR

MODEL	CAPACITY	
Single-phase (230 V or 240 V)	Capacitance of the operating capacitor	Capacitance of the starting capacitor
TRm 2.2 AP	60 µF 450 VL	120 µF 450 VL

PALLETIZATION

MODEL	PER GROUPAGE
	no. of pumps
TR 2.2 AP	18
TR 3 AP	18
TR 3	18
TR 4	18

SEWAGE LIFTING SYSTEM

HORIZONTAL DELIVERY VERSION WITH 3/4" GUIDE TUBES

For TR 0.75, TR 0.9, TR 1.1, TR 1.3	Code ASSPTRITUS11	DN 2"
For TR 1.5, TR 2.2	Code ASSPTRITUS22	DN 2"

Kit consisting of:

- 1) footing connection
- 2) slide guide
(with ring nut and seal for TR 0.75, TR 0.9, TR 1.1, TR 1.3,
with screws and seal for TR 1.5 and TR 2.2)
- 3) support for the guide tubes



VERTICAL DELIVERY VERSION WITH 3/4" GUIDE TUBES

For TR 0.75, TR 0.9, TR 1.1, TR 1.3	Code ASSPTRITUS11V	DN 2½"
For TR 1.5, TR 2.2	Code ASSPTRITUS22V	DN 2½"

Kit consisting of:

- 1) footing connection complete with counterflange
- 2) slide guide
(with ring nut and seal for TR 0.75, TR 0.9, TR 1.1, TR 1.3,
with screws and seal for TR 1.5 e TR 2.2)
- 3) support for the guide tubes



ORDERABLE ACCESSORIES

SLIDE GUIDE (can also be ordered separately)

For TR 0.75, TR 0.9, TR 1.1, TR 1.3	Code ASSFL003
For TR 1.5, TR 2.2	Code ASSFL004

With ring nut and seal for TR 0.75, TR 0.9, TR 1.1, TR 1.3

With screws and seal for TR 1.5, TR 2.2



INTERMEDIATE SUPPORT (on request)

For guide tubes Ø 3/4"	Code 859SV340INTFA
------------------------	--------------------



In order to ensure stability, insert the intermediate support every 2 metres of the guide tube

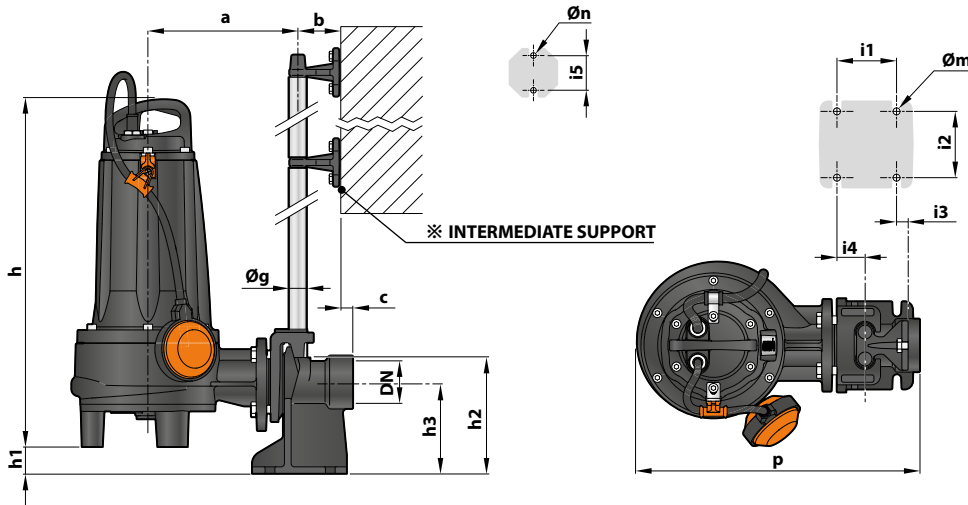
GUIDE TUBE (made of AISI 304 stainless steel)

Guide tube Ø 3/4"	Code 54SARTG005
-------------------	-----------------



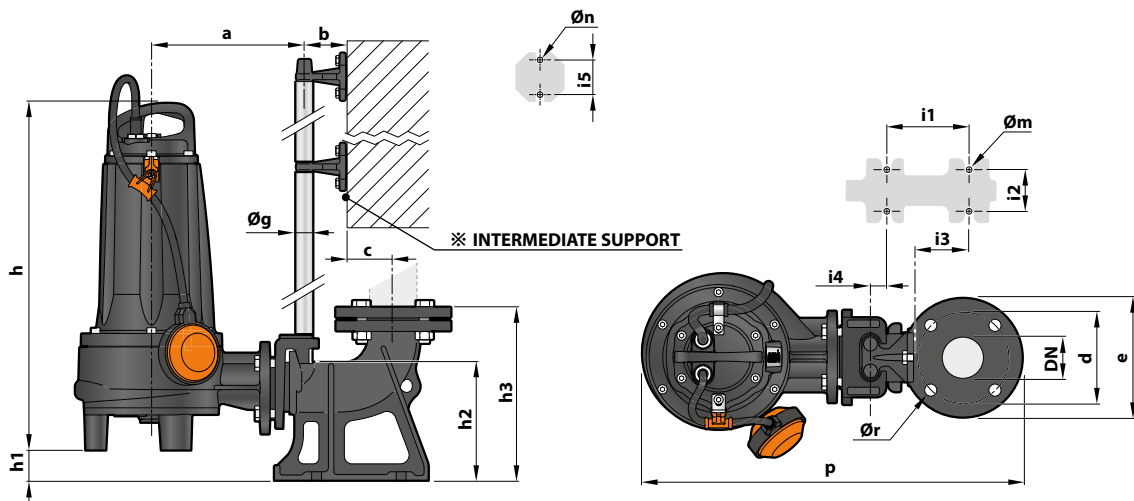
Maximum tube length: 6 metres

DIMENSIONS (horizontal delivery version)



MODEL		PORT DN	Solids mm	DIMENSIONS mm														
Single-phase	Three-phase			a	b	c	p	h1	h2	h3	i1	i2	i3	i4	i5	Øg	Øm	Øn
TRm 0.75	TR 0.75	2"	Ø 7	212	61	17	395	50	165	130	85	94	16	40	50	¾"	14	11
TRm 0.9	TR 0.9																	
TRm 1.1	TR 1.1																	
TRm 1.3	TR 1.3																	
TRm 1.5	TR 1.5	2"	Ø 7	215	61	17	400	42.5	165	130	85	94	16	40	50	¾"	14	11
-	TR 2.2																	

DIMENSIONS (vertical delivery version)



MODEL		PORT DN	Solids mm	DIMENSIONS mm																	
Single-phase	Three-phase			a	b	c	d	e	p	h1	h2	h3	i1	i2	i3	i4	i5	Øg	Øm	Øn	Ør
TRm 0.75	TR 0.75	2½"	Ø 7	206	61	51.5	125	165	505	48	163.5	215.5	120	72	62	3	50	¾"	14	11	18
TRm 0.9	TR 0.9																				
TRm 1.1	TR 1.1																				
TRm 1.3	TR 1.3																				
TRm 1.5	TR 1.5	2½"	Ø 7	211	61	51.5	125	165	514	40	163.5	215.5	120	72	62	3	50	¾"	14	11	18
-	TR 2.2																				

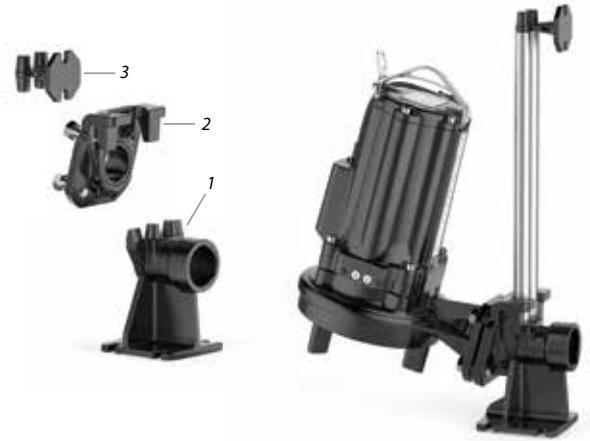
SEWAGE LIFTING SYSTEM

HORIZONTAL DELIVERY VERSION WITH 3/4" GUIDE TUBES

For TR 2.2. AP, TR 3 AP, TR 3, TR4	Code ASSPTRITUS61	DN 2"
---	-------------------	--------------

Kit consisting of:

- 1) footing connection
- 2) slide guide with screws and seal
- 3) support for the guide tubes

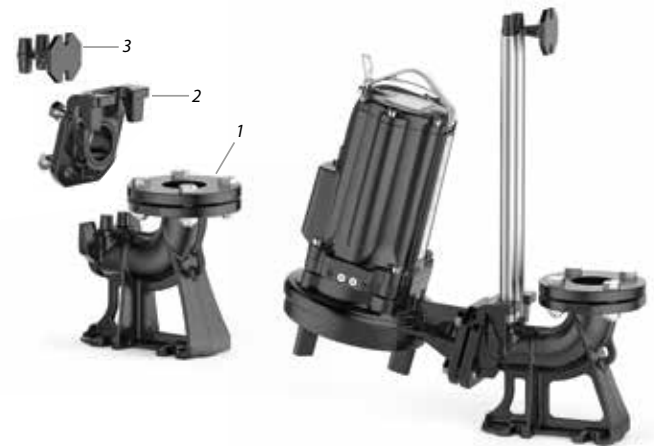


VERTICAL DELIVERY VERSION WITH 3/4" GUIDE TUBES

For TR 2.2. AP, TR 3 AP, TR 3, TR4	Code ASSPTRITUS61V	DN 2½"
---	--------------------	---------------

Kit consisting of:

- 1) footing connection complete with counterflange
- 2) slide guide with screws and seal
- 3) support for the guide tubes



ORDERABLE ACCESSORIES

SLIDE GUIDE (can also be ordered separately)

For TR 2.2. AP, TR 3 AP, TR 3, TR4	Code ASSFL014
---	---------------

With screws and seal



INTERMEDIATE SUPPORT (on request)

For guide tubes Ø 3/4"	Code 859SV340INTFA
------------------------	--------------------

In order to ensure stability, insert the intermediate support every 2 metres of the guide tube



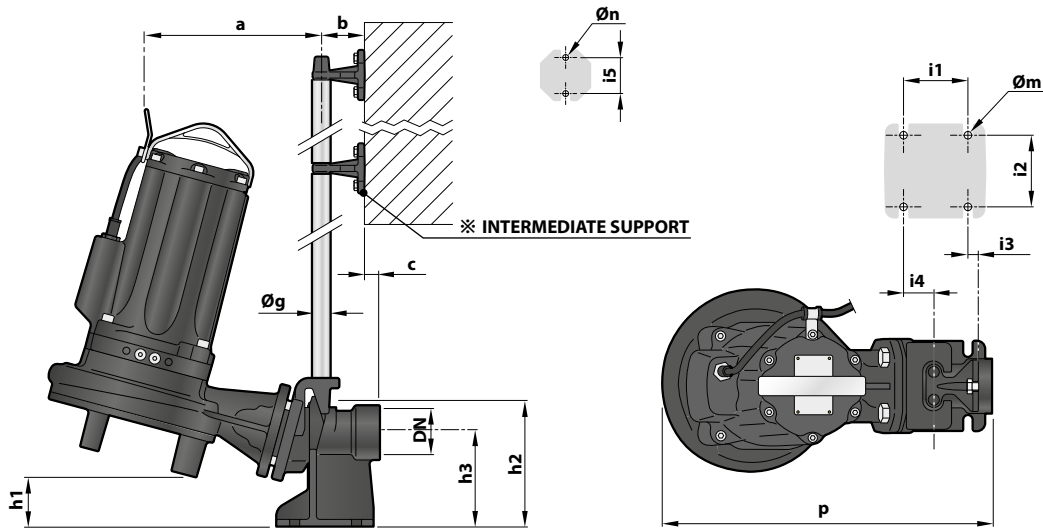
GUIDE TUBE (made of AISI 304 stainless steel)

Guide tube Ø 3/4"	Code 54SARTG005
-------------------	-----------------

Maximum tube length: 6 metres

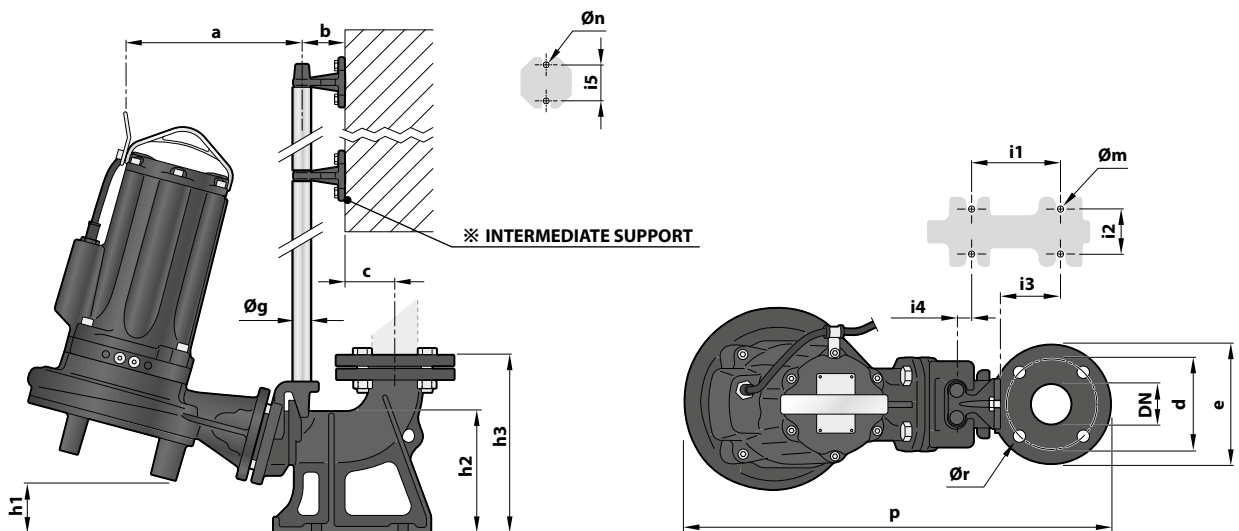


DIMENSIONS (horizontal delivery version)



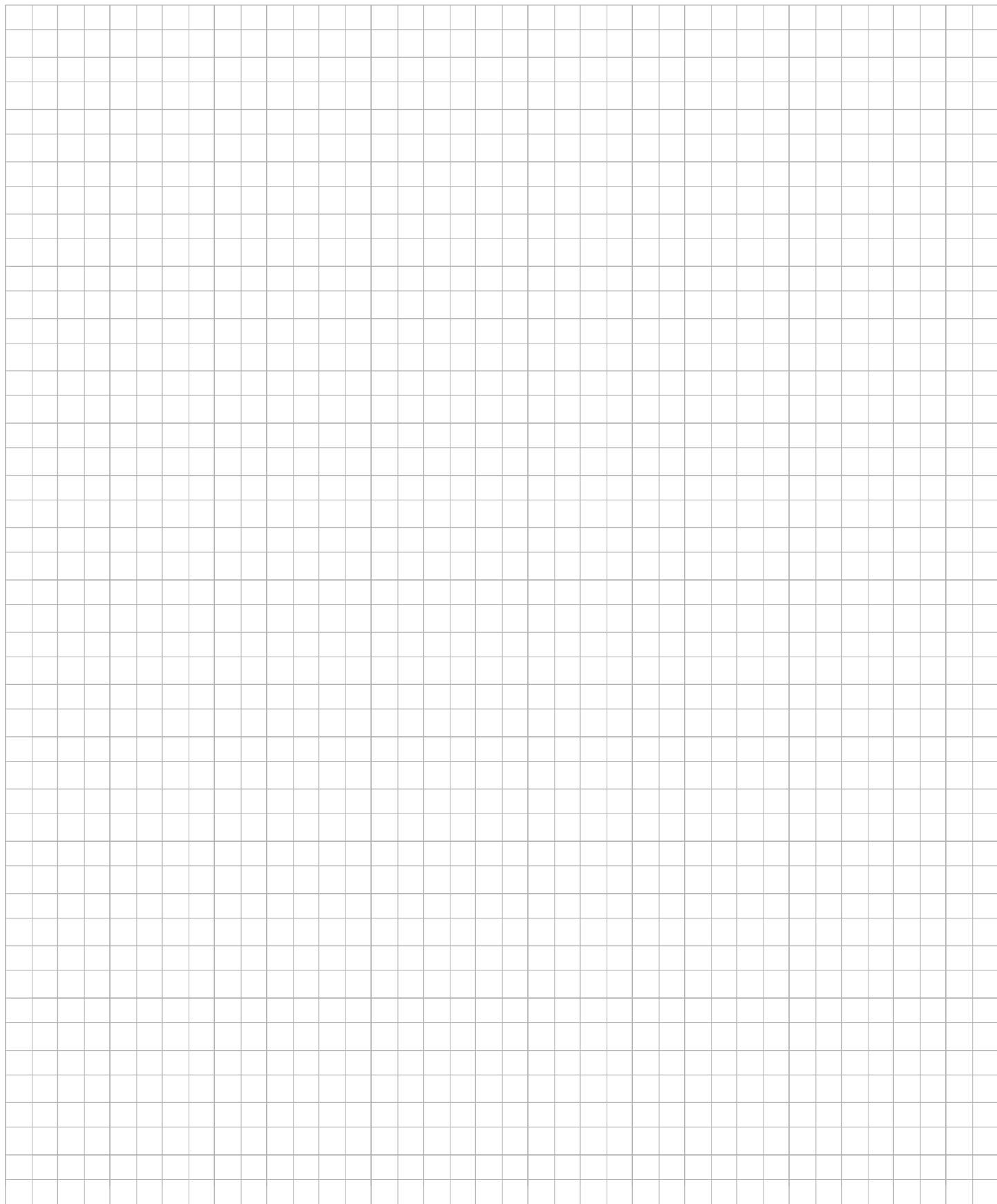
MODEL	PORT DN	Solids mm	DIMENSIONS mm														
			a	b	c	p	h1	h2	h3	i1	i2	i3	i4	i5	Øg	Øm	Øn
TR 2.2. AP	2"	Ø 7	228	61	17	455	71	165	130	85	94	16	40	50	3/4	14	11
TR 3 AP																	
TR 3																	
TR 4																	

DIMENSIONS (vertical delivery version)



MODEL	PORT DN	Solids mm	DIMENSIONS mm																	
			a	b	c	d	e	p	h1	h2	h3	i1	i2	i3	i4	i5	Øg	Øm	Øn	Ør
TR 2.2. AP	2½"	Ø 7	225	61	51.5	125	165	569	69	163.5	215.5	120	72	62	3	50	3/4	14	11	18
TR 3 AP																				
TR 3																				
TR 4																				

NOTES



*The data contained in this publication are not to be considered binding.
Pedrollo S.p.A. reserves the right to make any changes it deems appropriate to improve its production.*

Pedrollo S.p.A.

Via Enrico Fermi, 7 - 37047 San Bonifacio (Verona) Italy
tel. +39 045 6136311 - fax +39 045 7614663
vendite@pedrollo.com - sales@pedrollo.com - www.pedrollo.com

MADE IN ITALY

Z-DPL90081EN_02