

RX

Submersible DRAINAGE pumps

-  Clear water
-  Domestic use
-  Civil use



PERFORMANCE RANGE

- Flow rate up to **300 l/min** (18 m³/h)
- Head up to **20 m**

APPLICATION LIMITS

- **10 m** maximum immersion depth (with a sufficiently long power cable)
- Maximum liquid temperature **+50 °C** (Maximum liquid temperature +90 °C for a maximum of 3 minutes intermittent service)
- Passage of suspended solids up to **Ø 10 mm**
- Suction level:
 - **14 mm** above ground level for RX 1-2-3
 - **25 mm** above ground level for RX 4-5
- Continuous service **S1**

CONSTRUCTION AND SAFETY STANDARDS

The pumps are complete with:

- **5 m** long power cable for RX 1-2-3
- **10 m** long power cable for RX 4-5
- float switch for single-phase versions

EN 60335-1
IEC 60335-1
CEI 61-150

EN 60034-1
IEC 60034-1
CEI 2-3



CERTIFICATIONS

Company with management system certified DNV
ISO 9001: QUALITY



INSTALLATION AND USE

The **RX** series pumps are suitable for use with **clear water** that does not contain abrasive particles.

Because of the design solutions that have been adopted, such as the complete cooling of the motor and the shaft with double seal, these pumps are easy to use and reliable.

They are suitable for use in fixed installations and applications such as draining small flooded areas (rooms, cellars, garages) in the event of an emergency, for the disposal of waste water in the home (from dishwashers, washing machines) and for emptying drainage traps.

PATENTS - TRADE MARKS - MODELS

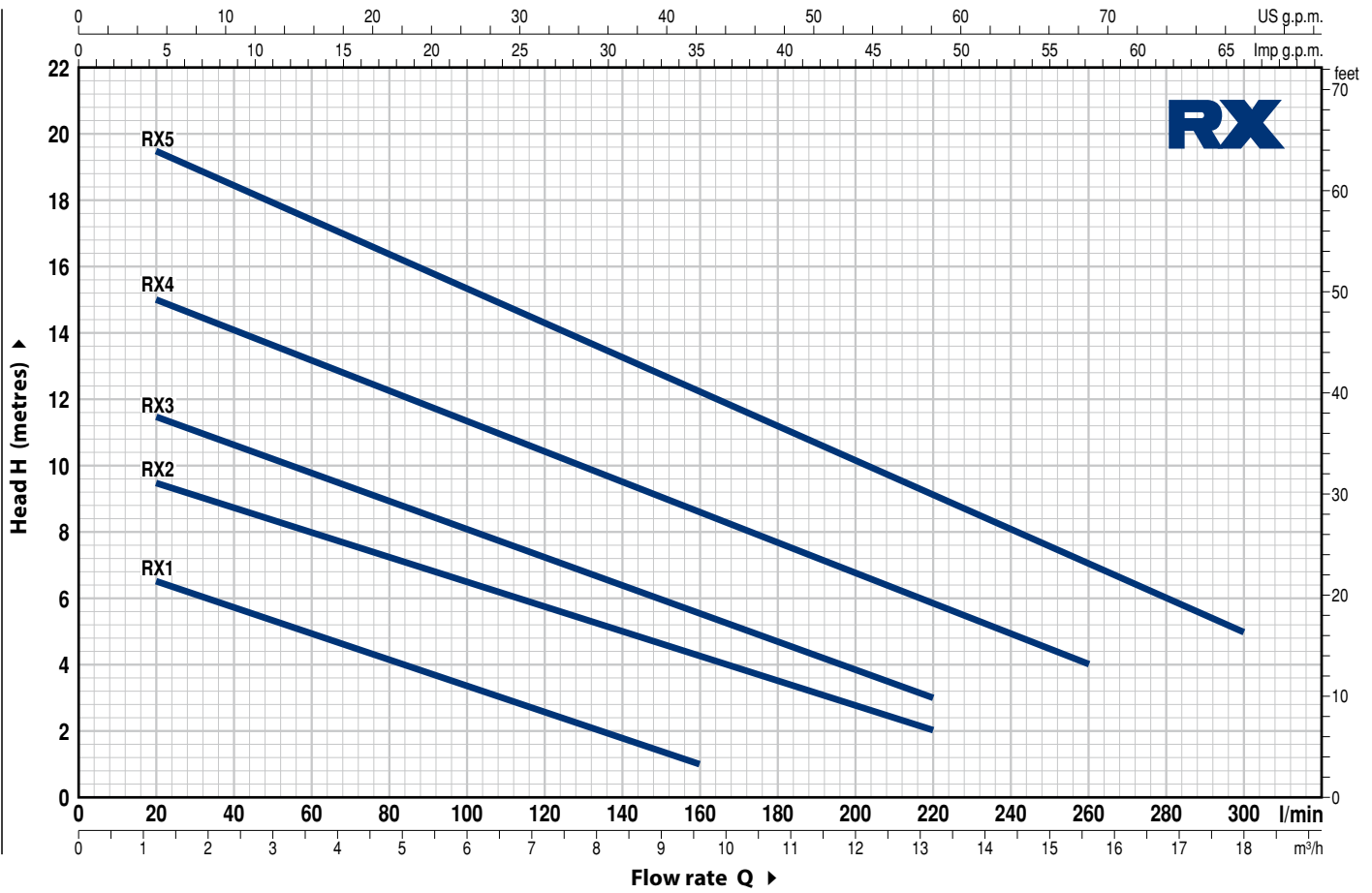
- Patent n. EP2313658
- Patent n. IT0001428923

OPTIONS AVAILABLE ON REQUEST

- “**RX-GM**” pumps with a vertical float switch (suitable for particularly small wells)
- Special mechanical seal
- RX 1-2-3 pumps with a **10 m** long power cable.
 - ➔ N.B.: Standard EN 60335-2-41 states that the power cable must be 10 m long for outdoor applications
- Single-phase pumps without float switch
- Other voltages or 60 Hz frequency

CHARACTERISTIC CURVES AND PERFORMANCE DATA

50 Hz n= 2900 min⁻¹



MODEL		POWER (P ₂)		Q	Flow rate													
Single-phase	Three-phase	kW	HP		m ³ /h	0	1.2	3.6	6.0	8.4	9.6	12.0	13.2	15.6	18.0			
				l/min	0	20	60	100	140	160	200	220	260	300				
RXm 1	RX 1	0.25	0.33	H metres	7.5	6.5	5	3.5	2	1								
RXm 2	RX 2	0.37	0.50		10	9.5	8	6.5	5	4.5	2.5	2						
RXm 3	RX 3	0.55	0.75		12	11.5	9.5	8	6.5	5.5	3.5	3						
RXm 4	RX 4	0.75	1		16	15	13	11.5	9.5	8.5	6.5	5.5	4					
RXm 5	RX 5	1.1	1.5		20	19.5	17.5	15.5	13.5	12.5	10	9	7	5				

Q = Flow rate H = Total manometric head

Tolerance of characteristic curves in compliance with EN ISO 9906 Grade 3B.

RX 1-2-3

POS. COMPONENT CONSTRUCTION CHARACTERISTICS

1	PUMP BODY	Stainless steel AISI 304 with threaded port in compliance with ISO 228/1
2	SUCTION FILTER	Stainless steel AISI 304
3	DIFFUSER	Stainless steel AISI 304
4	IMPELLER	Stainless steel AISI 304
5	MOTOR CASING	Stainless steel AISI 304
6	MOTOR CASING PLATE	Stainless steel AISI 304
7	MOTOR SHAFT	Stainless steel AISI 431

8 SHAFT WITH DOUBLE SEAL AND OIL CHAMBER

Seal Model	Shaft Diameter	Materials		
		Stationary ring	Rotational ring	Elastomer
STA-12R	Ø 12 mm	Ceramic	Graphite	NBR

9 **LIP SEAL** Ø 12 x Ø 19 x H 5 mm

10 **BEARINGS** 6201 ZZ / 6201 ZZ

11 CAPACITOR

Pump	Capacitance	
Single-phase	(230 V or 240 V)	(110 V)
RXm 1	10 µF 450 VL	16 µF - 250 VL
RXm 2	10 µF 450 VL	16 µF - 250 VL
RXm 3	14 µF 450 VL	16 µF - 250 VL

12 ELECTRIC MOTOR

RXm: single-phase 230 V - 50 Hz
with thermal overload protector incorporated into the winding

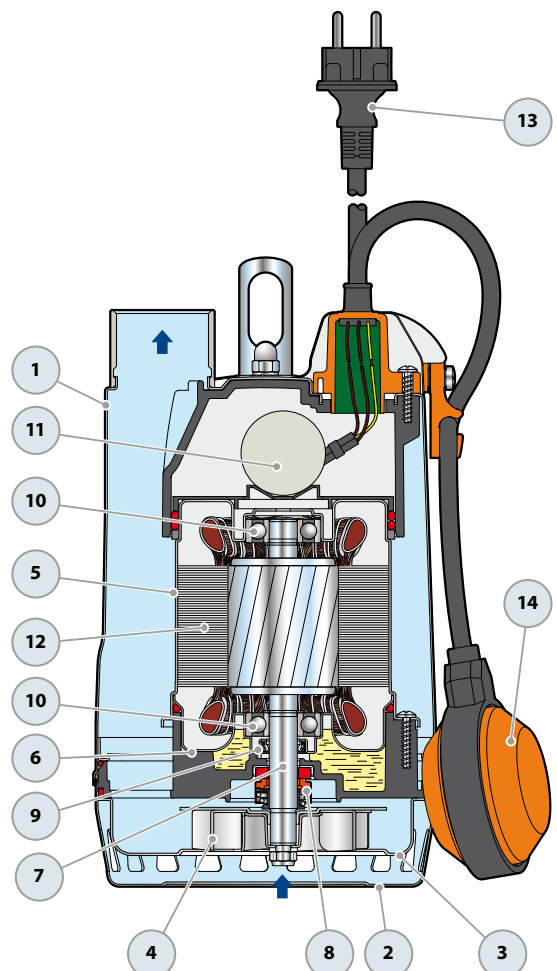
RX: three-phase 400 V - 50 Hz
– Insulation: class F
– Protection: IP X8

13 POWER CABLE

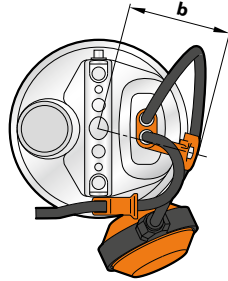
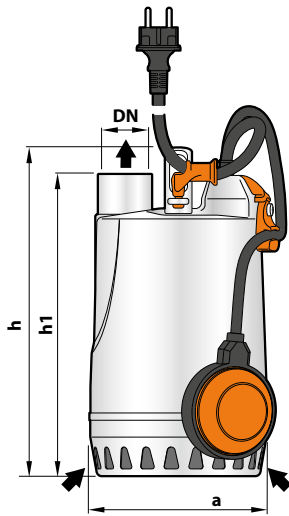
"H07 RN-F" type
(with Schuko plug for single-phase versions only)
Standard length 5 metres

14 FLOAT SWITCH

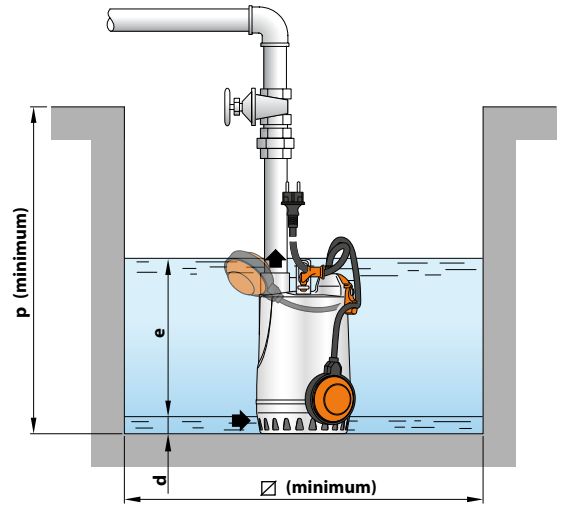
(Only for single-phase versions)



DIMENSIONS AND WEIGHT

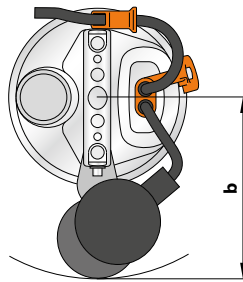
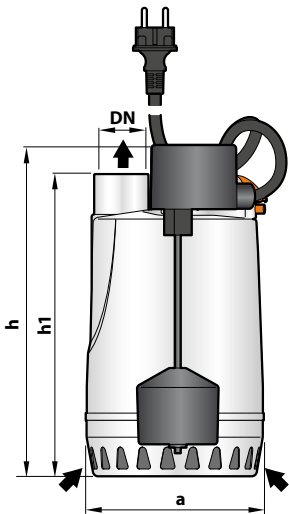


Standard installation

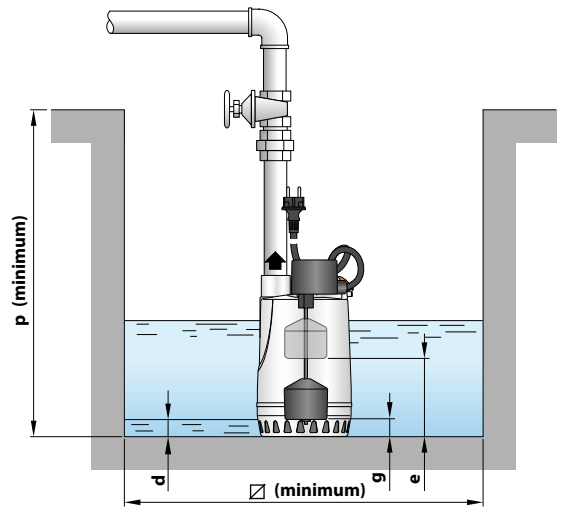


MODEL		PORT	DIMENSIONS mm								kg		PALLETIZATION	
Single-phase	Three-phase	DN	a	b	h	h1	d	e	p	Ø	1~	3~	GROUPAGE n. pumps	CONTAINER n. pumps
RXm 1	RX 1	1 1/4"	147	24	269	246	14	variable	350	350	6.1	5.5	96	144
RXm 2	RX 2				298	277					6.1	5.6	96	144
RXm 3	RX 3				7.6	7.0					96	144		

Version with vertical float switch



Standard installation



MODEL		PORT	DIMENSIONS mm								kg		PALLETIZATION	
Single-phase		DN	a	b	h	h1	d	e	g	p	Ø	1~	GROUPAGE n. pumps	CONTAINER n. pumps
RXm 1-GM		1 1/4"	147	150	270	247	14	145	40	350	240	6.2	80	120
RXm 2-GM					300	277		175	45			6.2	80	120
RXm 3-GM					7.5	80		120						

ABSORPTION

MODEL	VOLTAGE		
Single-phase	230 V	240 V	110 V
RXm 1	1.5 A	1.4 A	3.0 A
RXm 2	2.0 A	2.0 A	4.0 A
RXm 3	3.6 A	3.4 A	7.2 A

MODEL	VOLTAGE			
Three-phase	230 V	400 V	240 V	415 V
RX 1	1.6 A	0.9 A	1.6 A	0.9 A
RX 2	1.7 A	1.0 A	1.7 A	1.0 A
RX 3	2.8 A	1.6 A	2.6 A	1.5 A

RX 4-5

POS. COMPONENT CONSTRUCTION CHARACTERISTICS

1	PUMP BODY	Stainless steel AISI 304 with threaded port in compliance with ISO 228/1				
2	SUCTION FILTER	Stainless steel AISI 304				
3	DIFFUSER	Stainless steel AISI 304				
4	IMPELLER	Stainless steel AISI 304				
5	MOTOR CASING	Stainless steel AISI 304				
6	MOTOR CASING PLATE	Stainless steel AISI 304				
7	MOTOR SHAFT	Stainless steel AISI 431				
8	SHAFT WITH DOUBLE MECHANICAL SEAL SEPARATED BY AN OIL CHAMBER					
	Seal Model	Shaft Diameter	Position	Stationary ring	Rotational ring	Elastomer
	MG1-14D SIC	Ø 14 mm	Motor side Pump side	Silicon carbide Silicon carbide	Graphite Silicon carbide	NBR NBR

9	BEARINGS	6203 ZZ-C3E / 6203 ZZ-C3E	
10	CAPACITOR		
	Pump	Capacitance	
	<i>Single-phase</i>	<i>(230 V or 240 V)</i>	<i>(110 V)</i>
	RXm 4	20 µF 450 VL	30 µF - 250 VL
	RXm 5	25 µF 450 VL	30 µF - 250 VL

11 ELECTRIC MOTOR

RXm: single-phase 230 V - 50 Hz
with thermal overload protector incorporated into the winding

RX: three-phase 400 V - 50 Hz

- Insulation: class F
- Protection: IP X8

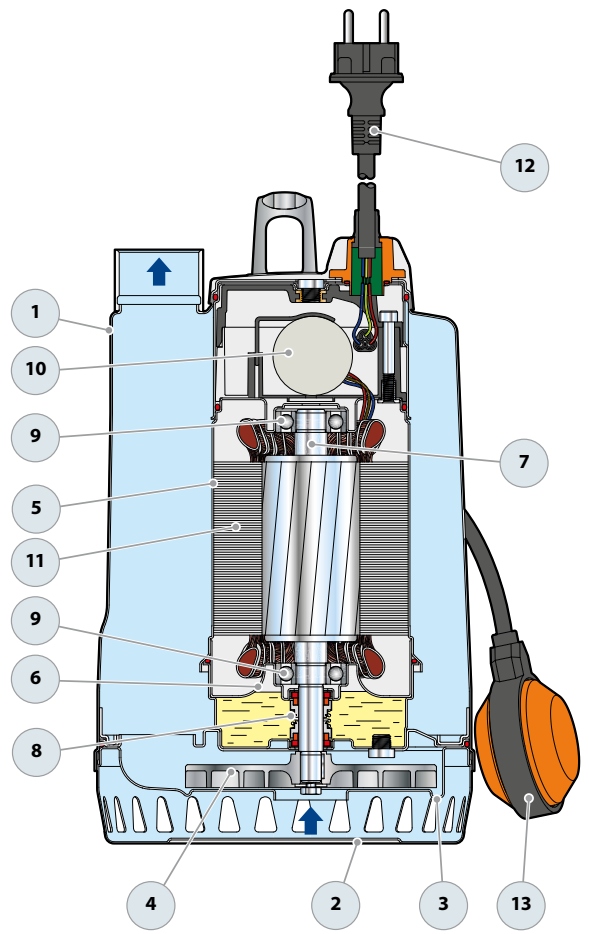
12 POWER CABLE

"H07 RN-F" type
(with Schuko plug for single-phase versions only)

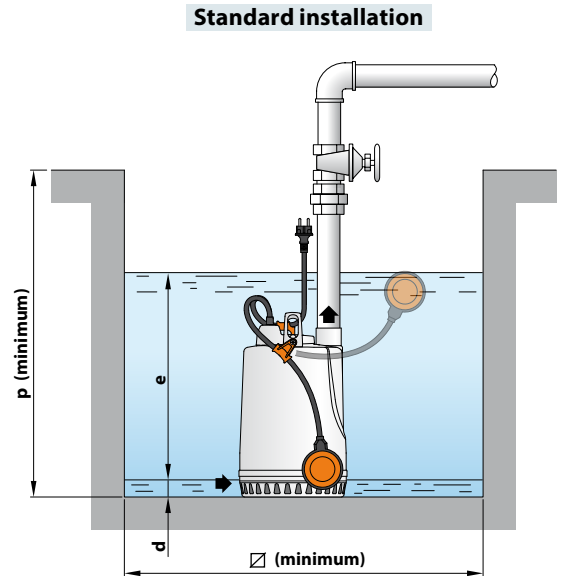
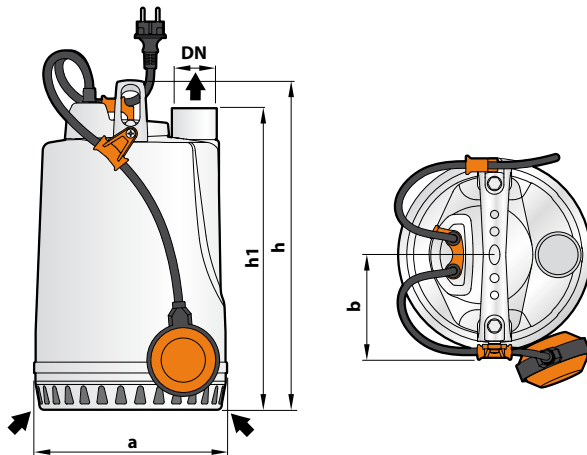
Standard length 10 metres

13 FLOAT SWITCH

Only for single-phase versions
(Vertical float switch in the GM versions).

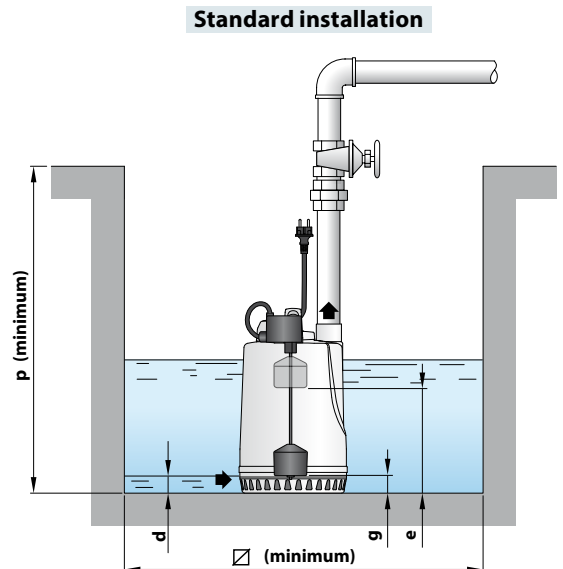
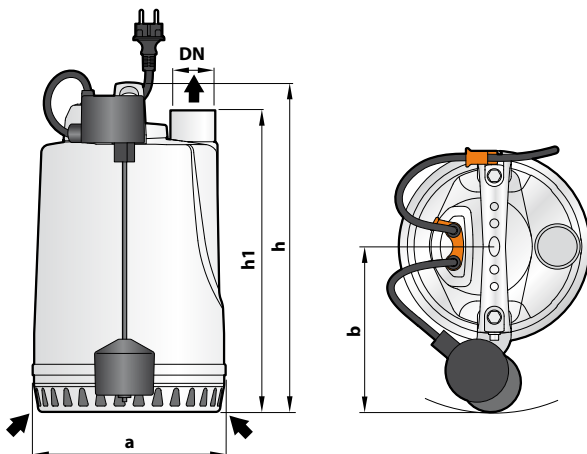


DIMENSIONS AND WEIGHT



MODEL		PORT	DIMENSIONS mm								kg		PALLETIZATION	
Single-phase	Three-phase	DN	a	b	h	h1	d	e	p	Ø	1~	3~	GROUPAGE n. pumps	CONTAINER n. pumps
RXm 4	RX 4	1½"	220	118.5	370	336	25	variable	500	500	14.4	13.3	45	60
RXm 5	RX 5										15.4	14.4	45	60

Version with vertical float switch



MODEL	PORT	DIMENSIONS mm									kg	PALLETIZATION	
Single-phase	DN	a	b	h	h1	d	e	g	p	Ø	1~	GROUPAGE n. pumps	CONTAINER n. pumps
RXm 4 - GM	1½"	220	186.5	370	336	25	250	50	500	300	16.7	45	60
RXm 5 - GM											15.8	45	60

ABSORPTION

MODEL	VOLTAGE	
Single-phase	230 V	240 V
RXm 4	5.9 A	5.9 A
RXm 5	7.5 A	7.5 A

MODEL	VOLTAGE			
Three-phase	230 V	400 V	240 V	415 V
RX 4	3.6 A	2.1 A	3.5 A	2.0 A
RX 5	6.1 A	3.5 A	5.9 A	3.4 A