



Low temperature wall mounted boiler
Навесные низкотемпературные котлы

BRAVA SLIM BFT

USER, INSTALLATION AND SERVICING INSTRUCTIONS
ИНСТРУКЦИЯ ПО ЭКСПЛУАТАЦИИ, МОНТАЖУ И ТЕХНИЧЕСКОМУ
ОБСЛУЖИВАНИЮ



EAC

EN

RU

RANGE

MODEL	CODE
Brava Slim 30 BFT	8112545

COMPLIANCE

Our company declares that **Brava Slim BFT** boilers comply with the following directives:

- Gas Appliances EU Regulation 2016/426
- Boiler Efficiency Directive 92/42/EEC
- Low Voltage Directive 2014/35/EU
- Electromagnetic Compatibility Directive 2014/30/EU

SYMBOLS

WARNING

To indicate actions which, if not carried out correctly, can result in injury of a general nature or may damage or cause the appliance to malfunction; these actions therefore require particular caution and adequate preparation.


ELECTRICAL HAZARD

To indicate actions which, if not carried out correctly, could lead to injury of an electrical nature; these actions therefore require particular caution and adequate preparation.


IT IS FORBIDDEN

To indicate actions which **MUST NOT BE** carried out.


CAUTION

To indicate particularly important and useful information.

MANUAL STRUCTURE

This manual is organized as follows.

USER INSTRUCTIONS

TABLE OF CONTENTS	5
-------------------	---

DESCRIPTION OF THE APPLIANCE

TABLE OF CONTENTS	11
-------------------	----

INSTALLATION AND SERVICING INSTRUCTIONS

TABLE OF CONTENTS	19
-------------------	----

SAFETY WARNINGS AND REGULATIONS



WARNINGS

- After having removed the packaging make sure that the product supplied is integral and complete in all its parts. If this is not the case, please contact the Dealer who sold the appliance.
- The appliance must be used as intended by **Sime** who is not responsible for any damage caused to persons, animals or things, improper installation, adjustment, maintenance and improper use of the appliance.
- In the event of water leaks, disconnect the appliance from the mains power supply, close the water mains and promptly inform professionally qualified personnel.
- Periodically check that the operating pressure of the water heating system when cold is **1-1.2 bar**. If this is not the case, increase the pressure or contact professionally qualified personnel.
- If the appliance is not used for a long period of time, at least one of the following operations must be carried out:
 - *set the main system switch to "OFF";*
 - *close the gas and water valves for the water heating system.*
- In order to ensure optimal appliance operations **Sime** recommends that maintenance and checks are carried out **ONCE A YEAR**.



WARNINGS

- **It is recommended that all operators** read this manual carefully in order to use the appliance in a safe and rational manner.
- **This manual** is an integral part of the appliance. It must therefore be kept for future reference and must always accompany the appliance in the event the appliance is transferred or sold to another Owner or User or is installed on another system.
- **Installation and maintenance** of this appliance must be carried out by a qualified company or by a professionally qualified technician, or authorised person, in accordance with the instructions contained in the manual. The company or technician will, at the end of installation operations, issue a statement of compliance with national and local Technical Standards and Legislation in force.

RESTRICTIONS

**IT IS FORBIDDEN**

- To allow children under the age of 8 to use the appliance. The appliance can be used by children no younger than 8 years old, by people with physical or cognitive disabilities, and by people lacking experience or the necessary knowledge, provided that they are supervised or have been instructed on how to use the appliance safely and that they understand the risks associated with it.
- To allow children to play with the appliance.
- To allow unsupervised children to perform user maintenance and cleaning.
- Do not use electrical devices or appliances such as switches, electrical appliances etc if you can smell fuel. If this should happen:
 - *open the doors and windows to air the room;*
 - *close the gas isolation device;*
 - *promptly call for professional assistance.*
- Do not touch the appliance with bare feet or with any wet part of the body.
- Do not carry out any technical intervention or cleaning operation before having disconnected the appliance from the mains power by setting the main switch to "OFF", and closing the gas supply.
- Do not modify the safety or adjustment devices without authorization and instructions from the manufacturer.

**IT IS FORBIDDEN**

- Do not block the condensate drain (if present).
- Do not pull, detach or twist the electrical cables coming out of the appliance even if the appliance is disconnected from the mains power supply.
- Do not expose the boiler to atmospheric agents. These boilers can also be installed in partially covered areas, as per EN 15502, with a maximum ambient temperature of 60 °C and a minimum ambient temperature of - 5 °C. It is recommended that the boiler is installed below weathered roofs, on the balcony or in a protected niche, to protect it from exposure to weathering agents (rain, hail and snow). The boiler is equipped as standard with an antifreeze function.
- Do not block or reduce the size of the ventilation openings of the room where the appliance is installed, if present.
- Remove the mains power and gas supply from the appliance if the external temperature could fall below ZERO (risk of freezing).
- Do not leave containers with flammable substances in the room where the appliance is installed.
- Do not leave packaging material around since it could be dangerous. Therefore dispose of it as prescribed by legislation in force.

USER INSTRUCTIONS

TABLE OF CONTENTS

1	USING THE BOILER BRAVA SLIM BFT	6	2	SHUTDOWN	8
1.1	Control panel	6	2.1	Temporary shutdown	8
1.2	Preliminary checks	7	2.2	Shutting down for long periods	9
1.3	Ignition	7	3	MAINTENANCE	9
1.4	Adjusting the heating temperature	7	3.1	Adjustments	9
1.5	Adjusting the domestic hot water temperature	7	3.2	External cleaning	9
1.6	Fault / malfunction codes	8	3.2.1	Cleaning the cladding	9
1.6.1	Maintenance request	8	4	DISPOSAL	9
			4.1	Appliance disposal (European Directive 2012/19/EU) ..	9

1 USING THE BOILER BRAVA SLIM BFT

1.1 Control panel

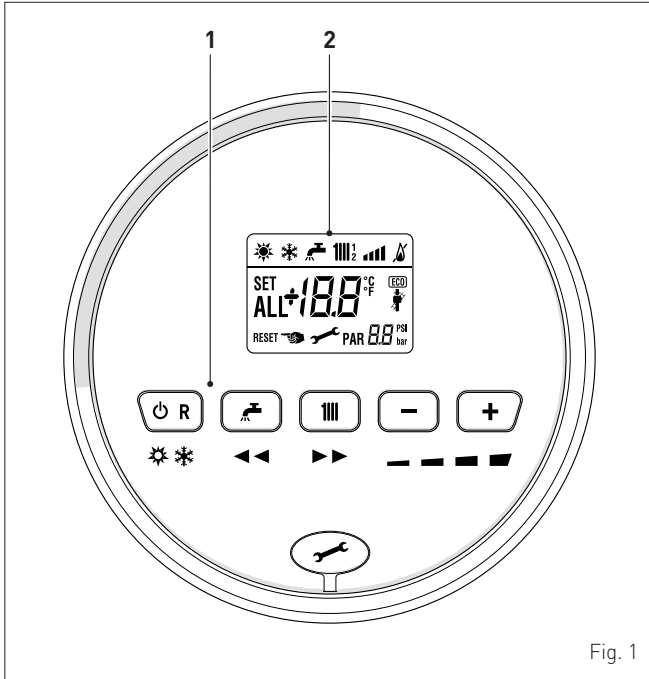


Fig. 1

1 FUNCTIONAL BUTTONS

If pressed once or more than once for at least 1 second during normal operation, this button allows the user to change the boiler operating mode in a cyclical sequence (Stand-by – Summer – Winter). If the boiler is experiencing a fault which can be reset, it allows boiler operation to be unblocked.

During normal operation, pressing the button displays the domestic hot water set point which can be between 10 and 60°C. In "parameter setting", the user can scroll through the parameter index (decreasing) by pressing this button.

During normal operation, pressing the button displays the heating set point which can be between 20 and 80°C. In "parameter setting", the user can scroll through the parameter index (increasing) by pressing this button.

During normal operation, pressing this button allows the user to reduce the heating or DHW set point on the basis of the selection made previously. If there is a Remote Control (Open Therm), after having selected the heating button, the user can modify the incline of the climatic curve (decreasing it) by pressing the button (-). In "parameter setting/display", the user can modify the parameter setting or value (decreasing) by pressing this button.

During normal operation, pressing this button allows the user to increase the heating or DHW set point on the basis of the selection made previously. If there is a Remote Control (Open Therm), after having selected the heating button, the user can modify the incline of the climatic curve (increasing it) by pressing the button (+). In "parameter setting/display", the user can modify the parameter setting or value (increasing) by pressing this button.

Programming connector cover plug.

NOTE: pressing any one of these buttons for more than 30 seconds generates a fault on the display without preventing boiler operation. The warning disappears when normal conditions are restored.

2 DISPLAY

"SUMMER". This symbol appears when the boiler is operating in "Summer" mode or if only the domestic hot water mode is enabled via the remote control. If the symbols and are flashing, this indicates that the chimney sweep function is active.

"WINTER". This symbol appears when the boiler is operating in "Winter" mode or if both the domestic hot water and heating modes are enabled via the remote control. With the remote control, if no operating modes have been enabled both symbols and will be off.

"RESET REQUIRED". The message indicates that after having repaired the fault, normal boiler operation can be restored by pressing the button .

"DOMESTIC HOT WATER". This symbol is present during a DHW request or during the "chimney sweep function". It flashes during the selection of the domestic hot water set point.

"HEATING". This symbol lights up during heating operation or during the "chimney sweep function". It flashes during the selection of the heating set point.

"BLOCK" DUE TO NO FLAME.

"FLAME PRESENCE".

"POWER LEVEL". This indicates the power level at which the boiler is operating.

PAR **"PARAMETER"**. This indicates that the user may be in parameter setting/display, or "info" or "counter", or in "activated alarms" (history).

ALL **"ALARM"**. This indicates that a fault has occurred. The number specifies the cause which generated the alarm.

"CHIMNEY SWEEP". This indicates that the "chimney sweep function" has been activated.

"ECO", ALTERNATIVE ENERGY SOURCES. Where active, it indicates that there is a solar system available.

"MAINTENANCE REQUEST". If active, it shows it is time to perform maintenance on the boiler.

1.2 Preliminary checks



WARNING


- Should it be necessary to access the areas in the bottom part of the appliance, make sure that the system components and pipes are not hot (risk of burning).
- Before replenishing the heating system, put on protective gloves.

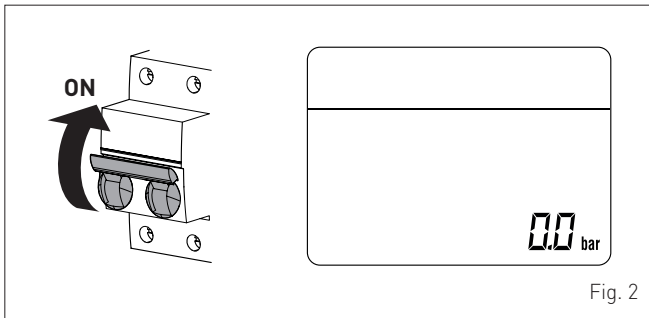
Commissioning of the **Brava Slim BFT** boiler must be carried out by professionally qualified technicians, after which the boiler can operate automatically. It may, however, be necessary for the user to start the appliance autonomously without involving a technician: for example, after a holiday.

First of all check that the gas isolation and water system valves are open.

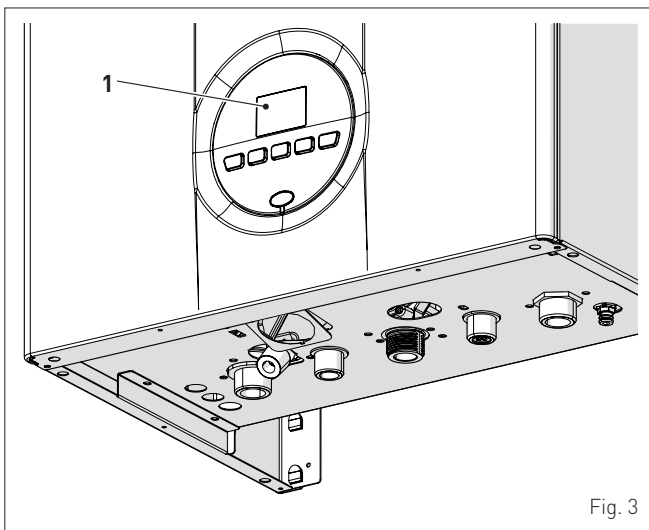
1.3 Ignition



After having carried out the preliminary checks, perform the following to start the boiler:

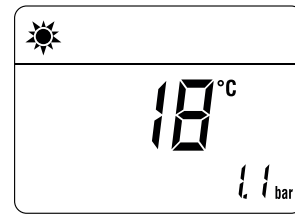
- set the main system switch to "ON" in order for the display to show the pressure level in the system during refilling
- **make sure that the operating mode is set to "Stand-by"**; if this is not the case, press the button  until "Stand-by" mode has been selected






- on the display (1), check that the heating system pressure when cold is **1-1.2 bar**. Otherwise, open the filling valve, which is to be prearranged on the system return, and fill until a pressure of **1-1.2 bar** is shown on the display (1)
- close the filling valve

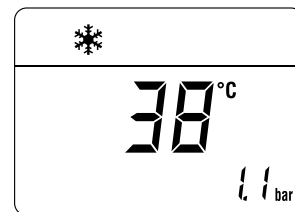


- select the "SUMMER"  operating mode by pressing and holding the  button for at least 1 second. the value of the delivery sensor detected at that moment will appear on the display




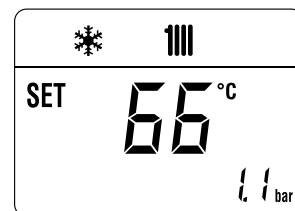
- open one or more than one hot water tap. The boiler will work at maximum power until the taps are closed.

Once the boiler has been commissioned in "SUMMER mode"  "WINTER mode"  can be selected by pressing and holding the button  for at least 1 second. The value of the delivery water temperature detected at that moment will appear on the display. In this case it is necessary to adjust the air thermostat/s to the required temperature or if the system has a chrono-thermostat, check that this is "active" and adjusted.




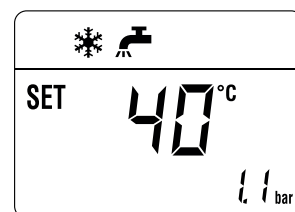
1.4 Adjusting the heating temperature

If the heating temperature is to be increased or decreased, press the button  followed by the buttons **+** or **-** until the desired temperature is reached. The temperature can be set to between 20 and 80°C.



1.5 Adjusting the domestic hot water temperature

If the domestic hot water temperature is to be increased or decreased, press the button  followed by the buttons **+** or **-** until the desired temperature is reached. The temperature can be set to between 10 and 60°C.



1.6 Fault / malfunction codes

If a fault/malfunction is detected during boiler operation, the message "ALL" will appear on the display followed by the fault code.

If you see alarm "02" (low water pressure in the system):

- on the display (1), check that the heating system pressure when cold is **1-1.2 bar**. Otherwise, open the filling valve, which is to be prearranged on the system return, and fill until a pressure of **1-1.2 bar** is shown on the display (1)
- close the filling valve

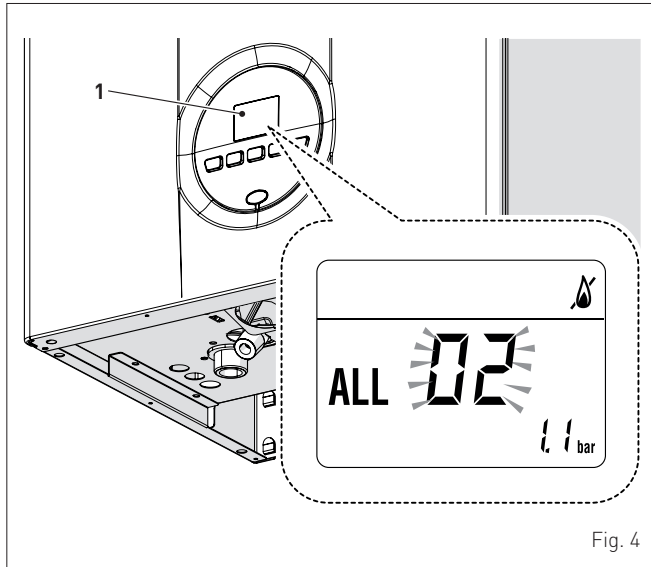
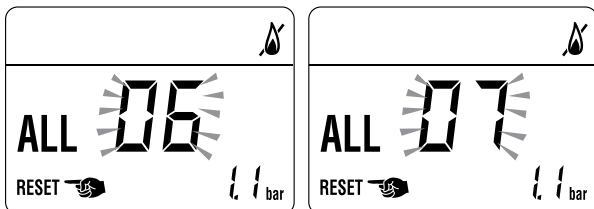


Fig. 4

If you see alarm "06" (no flame detected) and "07" (safety thermostat intervention):

- press and hold the button **OR** for more than 3 seconds and check whether normal operating conditions are restored.



If this operation is not successful, **ONLY ONE MORE ATTEMPT** can be made, therefore:

- close the gas isolation valve
- set the main system switch to "OFF"
- contact the Qualified Technical Personnel.

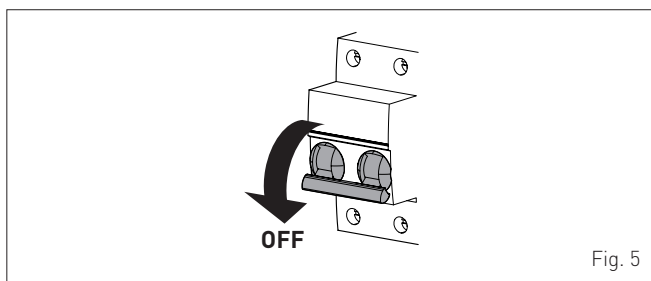


Fig. 5

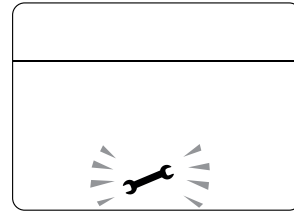


CAUTION

Should you see an alarm not described here, contact a qualified technical professional.

1.6.1 Maintenance request

When it is time to perform maintenance on the boiler, the symbol shows on the display.

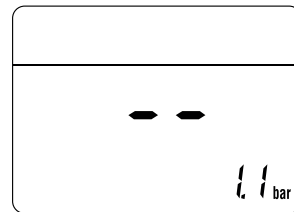


Contact the technical assistance service to organise the necessary work.

2 SHUTDOWN

2.1 Temporary shutdown

If the user wishes to interrupt boiler operation, press and hold the button **OR** for at least one second, once if in "WINTER mode" or twice if in "SUMMER mode" . "- -" will appear on the display.



ELECTRICAL HAZARD

The boiler will still be powered.

If the user is away temporarily, for a weekend, short trip etc and if the outside temperature is at ZERO:

- press and hold the button **OR** once if in "WINTER mode" or twice if in "SUMMER mode" to put the boiler into stand-by
- set the main system switch to "OFF"
- close the gas valve.

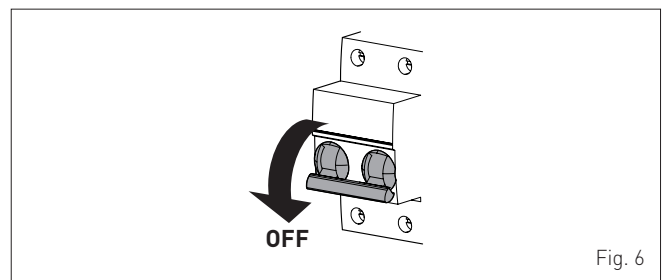


Fig. 6






CAUTION

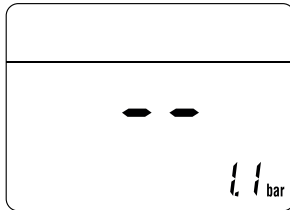
If the outside temperature might fall below ZERO, since the appliance is equipped with an "antifreeze function"

- ONLY PUT THE BOILER INTO STAND-BY
- leave the main system switch set to "ON" (boiler is powered)
- leave the gas valve open.

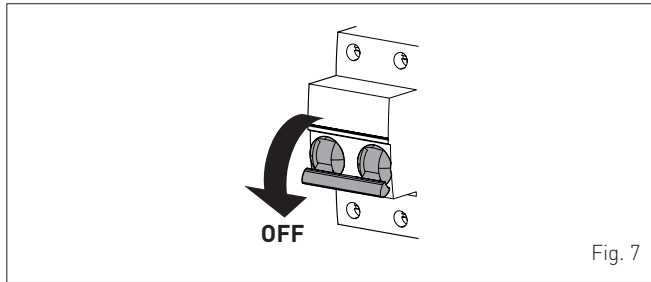
2.2 Shutting down for long periods

If the boiler is to be left unused for a long period, the following operations need to be carried out:

- press and hold the button  for at least 1 second, once if in "WINTER mode"  or twice if in "SUMMER mode"  to put the boiler into stand-by "- -" will appear on the display



- set the main system switch to "OFF"



- close the gas valve
- close the heating and domestic hot water isolation valves
- drain the heating and domestic hot water system if there is the risk of freezing.



CAUTION

Contact the Qualified Technical Personnel if the procedure described above cannot be easily carried out.

3 MAINTENANCE

3.1 Adjustments

For the appliance to operate correctly and efficiently it is recommended that the User calls upon the services of a Professionally Qualified Technician to carry out **ANNUAL** maintenance.



CAUTION

Maintenance interventions must **ONLY** be carried out by professionally qualified personnel who will follow the indications provided in the **INSTALLATION AND MAINTENANCE MANUAL**.

3.2 External cleaning



WARNING

- Should it be necessary to access the areas in the bottom part of the appliance, make sure that the system components and pipes are not hot (risk of burning).
- Before performing any maintenance, put on protective gloves.

3.2.1 Cleaning the cladding

When cleaning the cladding, use a cloth dampened with soap and water or alcohol for stubborn marks.



IT IS FORBIDDEN

to use abrasive products.

4 DISPOSAL

4.1 Appliance disposal (European Directive 2012/19/EU)

Boilers and electrical and electronic appliances from private households must not be disposed of as unsorted municipal waste at the end of their life. Instead, they must be taken to specific return and collection facilities, as per Directive 2012/19/EU and Italian Legislative Decree 49/2014. For more information on authorised collection facilities, please contact your local council or retailer. Individual countries may also define specific rules on how to handle electrical and electronic waste. Before disposing of your appliance, please check the rules in force in your country.



IT IS FORBIDDEN

to dispose of the product as urban waste.

DESCRIPTION OF THE APPLIANCE

TABLE OF CONTENTS

5	DESCRIPTION OF THE APPLIANCE	12			
5.1	Characteristics	12	5.6	Main water circuit	15
5.2	Check and safety devices	12	5.7	Sensors	15
5.3	Identification	12	5.8	Expansion vessel	15
5.4	Structure	13	5.9	Circulation pump	16
5.5	Technical features	14	5.10	Control panel	17
			5.11	Wiring diagram	18

5 DESCRIPTION OF THE APPLIANCE

5.1 Characteristics

Brava Slim BFT are latest-generation low-temperature wall-mounted boilers which **Sime** has produced for heating and domestic hot water production when combined with a storage tank. The main design choices made by **Sime** for **Brava Slim BFT** boilers are:

- the atmospheric burner combined with a copper heat exchanger for heating
- the sealed combustion chamber which can be classified "Type C" or "Type B" in relation to the room where the boiler is installed, depending on the smoke outlet configuration adopted during installation
- the command and control microprocessor electronic board provides efficient management of both heating and hot water production. It can also be connected to a remote control with an Open Therm protocol or to room thermostat and/or external sensor. If connected to an external sensor, the boiler temperature varies on the basis of the external temperature according to a selected optimal climatic curve providing significant energy and economic savings.

Other special features of the **Brava Slim BFT** boilers are:

- the anti-freeze function which activates automatically if the temperature of the water inside the boiler falls below the threshold of the value set at parameter "PAR 10" and, if there is an external sensor, if the external temperature falls below the threshold of the value set at parameter "PAR 11"
- the anti-blocking function of the pump and diverter valve, this activates automatically every 24 hours if no request for heat has been made
- the chimney sweep function lasts 15 minutes and makes the job of the qualified technician easier when measuring the parameters and combustion efficiency and when checking gas pressure at the nozzles
- screen display of the operating and self-diagnostic parameters with error code display when the fault occurs. This makes repair interventions easier and allows appliance operation to be restored correctly.

5.2 Check and safety devices

The **Brava Slim BFT** boilers are equipped with the following check and safety devices:

- thermal safety sensor 100°C
- 3 bar relief valve
- heating water pressure transducer
- delivery sensor
- DHW sensor.



IT IS FORBIDDEN

to commission the appliance with safety devices which do not work or which have been tampered with.



WARNING

Safety device may only be replaced by professional qualified personnel using **Sime** original spare parts.

5.3 Identification

The **Brava Slim BFT** boilers can be identified by means of:

- 1 Packaging label:** this is located on the outside of the packaging and provides a code, the serial number of the boiler and the bar code
- 2 Technical Data Plate:** this is located inside the front panel of the boiler and provides the technical specification, appliance performance and any other information required by law.

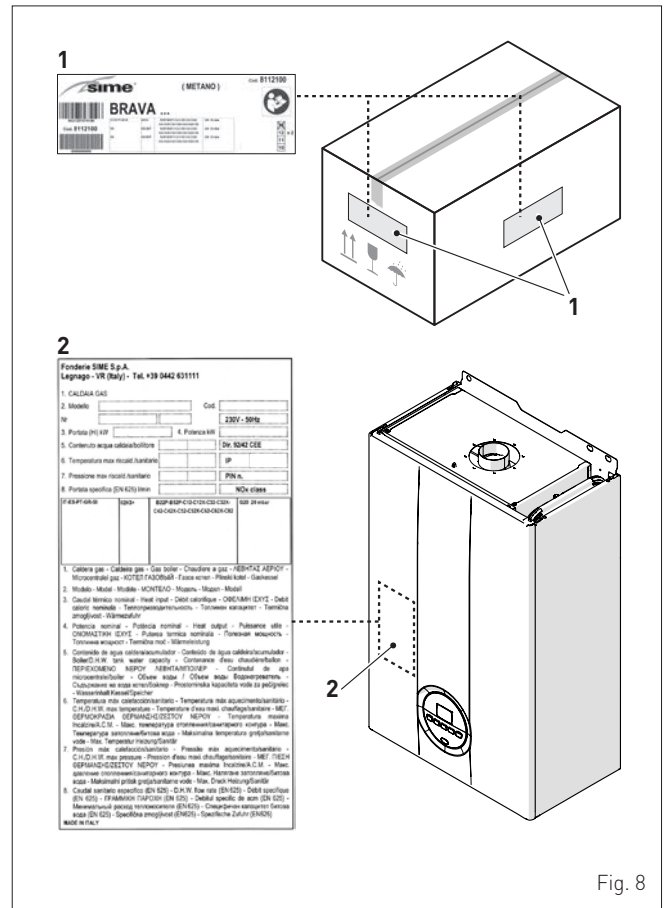


Fig. 8

KEY:

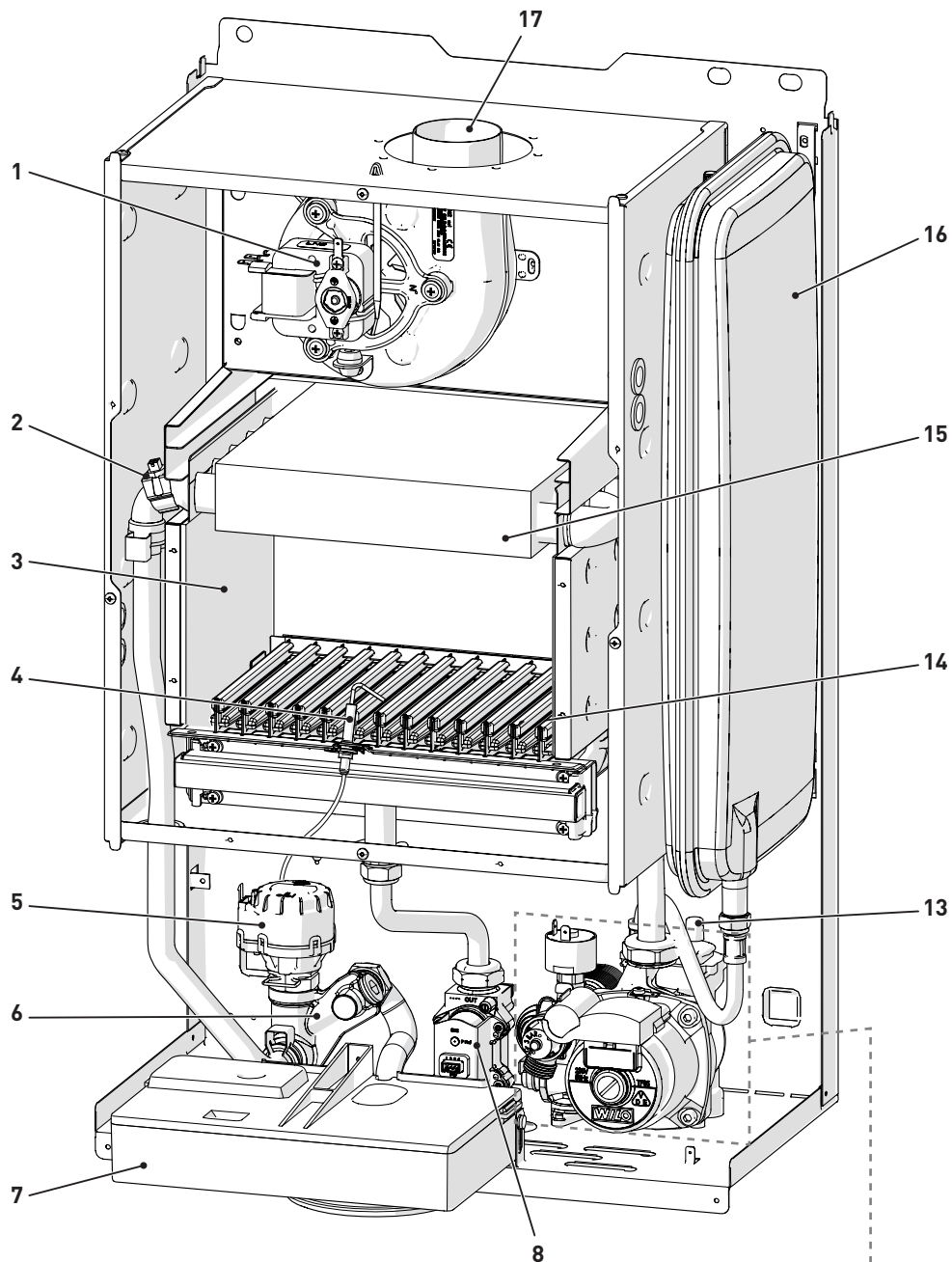
- 1** Packaging label
- 2** Technical Data Plate



CAUTION

Tampering with, removing or failing to display the identification plate or carrying out any other operation which does not allow safe identification of the product or which may hinder installation and maintenance operations.

5.4 Structure



- 1 Fan
- 2 Dual sensor (thermal safety/delivery)
- 3 Combustion chamber
- 4 Ignition/detection electrode
- 5 Diverter valve
- 6 System filling unit
- 7 Control panel
- 8 Gas valve
- 9 System relief valve
- 10 Boiler drain
- 11 System pump
- 12 Water pressure transducer
- 13 Automatic bleed valve
- 14 Burner
- 15 Primary heat exchanger
- 16 Expansion vessel
- 17 Smoke outlet

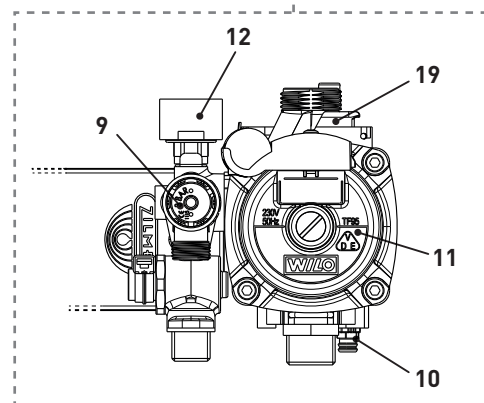


Fig. 9

5.5 Technical features

DESCRIPTION		Brava Slim 30 BFT
CERTIFICATIONS		
Country of intended installation		-
Fuel		G20 - G30/G31
PIN number		1312CP5935
Category		II2H3+
Type		B22P - B32P - B52P C12 - C12X - C32 - C32X - C42 - C42X - C52 - C52X C62 - C62X - C82 - C82X - C92
Class NOx		3 (< 150 mg/kWh)
HEATING PERFORMANCE		
HEAT INPUT		
Nominal	kW	30,0
Minimum	kW	10,8
HEAT OUTPUT		
Nominal (80-60°C)	kW	28,1
Minimum (80-60°C)	kW	9,2
EFFICIENCY		
Max useful efficiency (80-60°C)	%	93,7
Min useful efficiency (80-60°C)	%	85,2
Useful efficiency at 30% of load (50-30°C)	%	91,1
Thermal efficiency (EEC 92/42)		★ ★ ★
Losses after shutdown at 50°C	W	75
ELECTRICAL SPECIFICATIONS		
Power supply voltage	V	230
Frequency	Hz	50
Absorbed electrical power	W	113
Electrical protection degree	IP	X5D
COMBUSTION DATA		
Smoke temperature at Max/Min flow (80-60°C)	°C	151,9 / 100,8
Smoke flow Max/Min	g/s	19 / 19
CO ₂ at Max/Min (G20) flow rate with separate chimneys	%	7,1 / 2,3
CO ₂ at Max/Min (G31) flow rate with separate chimneys	%	7,8 / 2,7
NOZZLES - GAS		
Number of nozzles	No.	13
Nozzle diameter (G20)	mm	1,30
Nozzle diameter (G30/G31)	mm	0,78
Gas consumption at Max/Min flow rate (G20)	m ³ /h	3,17 / 1,14
Gas consumption at Max/Min flow rate (G30)	kg/h	2,36 / 0,85
Gas consumption at Max/Min flow rate (G31)	kg/h	2,33 / 0,84
Gas supply pressure (G20/G30/G31)	mbar	20 / 28-30 / 37
	kPa	2 / 2,8-3 / 3,7
TEMPERATURE - PRESSURE		
Max operating temperature	°C	85
Heating adjustment range	°C	20 ÷ 80
Domestic hot water adjustment range	°C	10 ÷ 60
Max operating pressure	bar	3
	kPa	300
Water content in boiler	l	3,65

Lower Heat Output (Hi)

G20 Hi. 9.45 kW/m³ (15°C, 1013 mbar) - **G30 Hi.** 12.68 kW/kg (15°C, 1013 mbar) - **G31 Hi.** 12.87 kW/kg (15°C, 1013 mbar)

5.6 Main water circuit

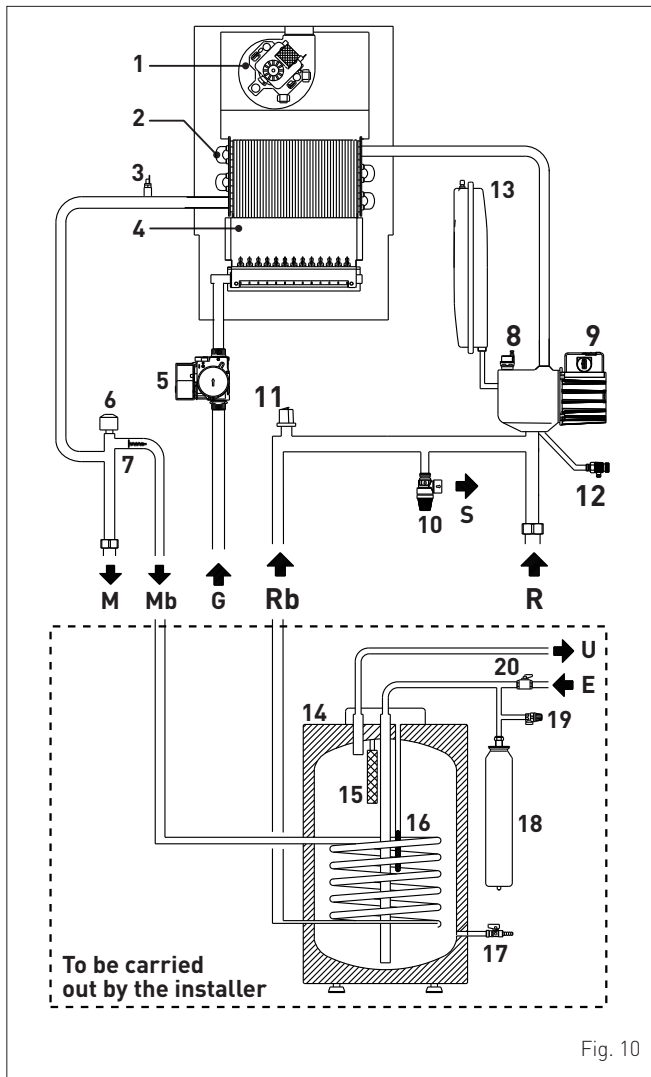


Fig. 10

KEY:

- M System delivery
- R System return
- Mb Hot water tank delivery
- Rb Hot water tank return
- S Safety valve outlet
- G Gas supply
- U Domestic hot water outlet
- E Domestic hot water inlet

- 1 Fan
- 2 Heat exchanger (mono-thermal)
- 3 Dual sensor (thermal safety/delivery)
- 4 Combustion chamber
- 5 Gas valve
- 6 Diverter valve
- 7 Automatic by-pass
- 8 Automatic bleed valve
- 9 Pump
- 10 System relief valve
- 11 Water pressure transducer
- 12 Boiler drain
- 13 System expansion vessel
- 14 Storage tank
- 15 Magnesium anode
- 16 Domestic hot water sensor
- 17 Hot water tank drain valve
- 18 Domestic hot water expansion vessel
- 19 Hot water tank relief valve
- 20 Domestic hot water inlet valve

5.7 Sensors

The sensors installed have the following characteristics:

- Dual sensor (thermal safety/output) NTC R25°C; 10kΩ B25°-85°C: 3435
- domestic hot water sensor NTC R25°C; 10kΩ B25°-85°C: 3435
- external sensor NTC R25°C; 10kΩ B25°-85°C: 3435

Correspondence of Temperature Detected/Resistance

Examples of reading:

$$TR=75^{\circ}\text{C} \rightarrow R=1925\Omega$$

$$TR=80^{\circ}\text{C} \rightarrow R=1669\Omega.$$

TR	0°C	1°C	2°C	3°C	4°C	5°C	6°C	7°C	8°C	9°C	Resistance R (Ω)
0°C	27279	26135	25044	24004	23014	22069	21168	20309	19489	18706	
10°C	17959	17245	16563	15912	15289	14694	14126	13582	13062	12565	
20°C	12090	11634	11199	10781	10382	9999	9633	9281	8945	8622	
30°C	8313	8016	7731	7458	7196	6944	6702	6470	6247	6033	
40°C	5828	5630	5440	5258	5082	4913	4751	4595	4444	4300	
50°C	4161	4026	3897	3773	3653	3538	3426	3319	3216	3116	
60°C	3021	2928	2839	2753	2669	2589	2512	2437	2365	2296	
70°C	2229	2164	2101	2040	1982	1925	1870	1817	1766	1717	
80°C	1669	1622	1577	1534	1491	1451	1411	1373	1336	1300	
90°C	1266	1232	1199	1168	1137	1108	1079	1051	1024	998	
100°C	973										

5.8 Expansion vessel

The expansion vessel installed on the boilers has the following characteristics:

Description	U/M	Brava Slim BFT
		30
Total capacity	l	9,0
Prefilling pressure	kPa	100
	bar	1,0
Useful capacity	l	5,0
Maximum system content (*)	l	124

(*) Conditions of:

Average maximum temperature of the system 85°C

Start temperature at system filling 10°C.

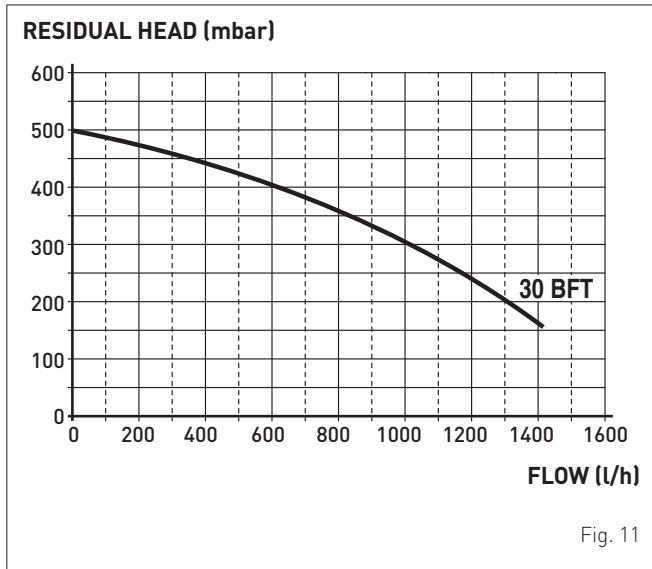


CAUTION

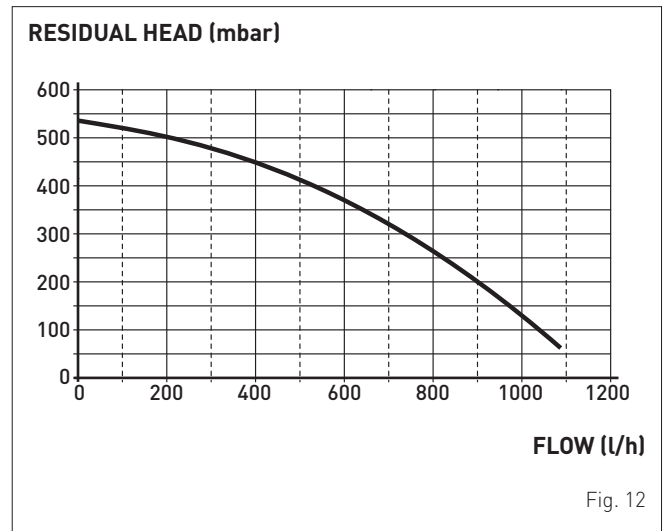
- For systems with water content exceeding the maximum system content (as indicated in the table) an additional expansion vessel must be prearranged.
- The difference in height between the relief valve and the highest point of the system cannot exceed 6 metres. If the difference is greater than 6 metres, increase the prefilling pressure of the expansion vessel and the system when cold by 0.1 bar for each meter increase.

5.9 Circulation pump

The flow-head performance curve available for the heating system is shown in the graph below.



The flow-head performance curve available for the remote hot water tank coil is shown in the graph below.



CAUTION

The appliance is equipped with a by-pass which ensures water circulation in the boiler when the thermostatic valves or cocks are used in the system.

5.10 Control panel

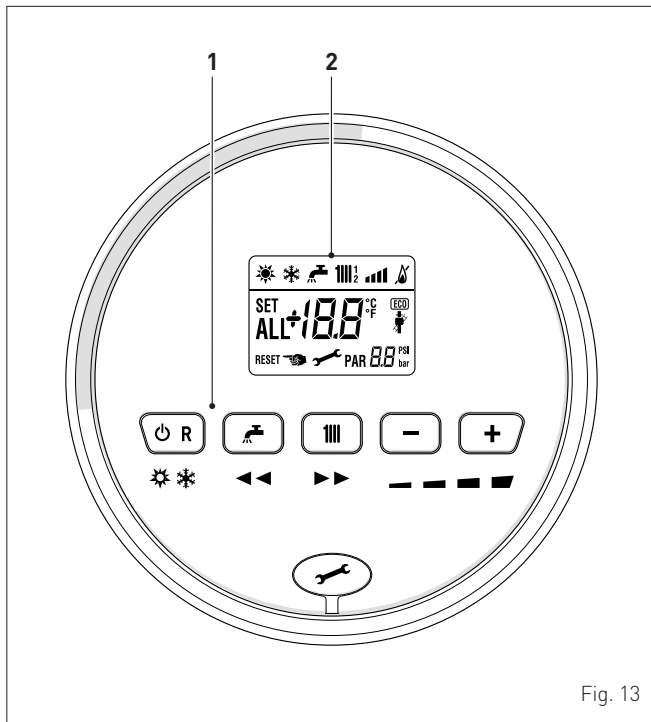


Fig. 13

1 FUNCTIONAL BUTTONS

⏻ R If pressed once or more than once for at least 1 second during normal operation, this button allows the user to change the boiler operating mode in a cyclical sequence (Stand-by – Summer – Winter). If the boiler is experiencing a fault which can be reset, it allows boiler operation to be unblocked.



During normal operation, pressing the button displays the domestic hot water set point which can be between 10 and 60°C. In "parameter setting", the user can scroll through the parameter index (decreasing) by pressing this button.



During normal operation, pressing the button displays the heating set point which can be between 20 and 80°C. In "parameter setting", the user can scroll through the parameter index (increasing) by pressing this button.



During normal operation, pressing this button allows the user to reduce the heating or DHW set point on the basis of the selection made previously. If there is a Remote Control (Open Therm), after having selected the heating button, the user can modify the incline of the climatic curve (decreasing it) by pressing the button (-). In "parameter setting/display", the user can modify the parameter setting or value (decreasing) by pressing this button.



During normal operation, pressing this button allows the user to increase the heating or DHW set point on the basis of the selection made previously. If there is a Remote Control (Open Therm), after having selected the heating button, the user can modify the incline of the climatic curve (increasing it) by pressing the button (+). In "parameter setting/display", the user can modify the parameter setting or value (increasing) by pressing this button.



Programming connector cover plug.

NOTE: pressing any one of these buttons for more than 30 seconds generates a fault on the display without preventing boiler operation. The warning disappears when normal conditions are restored.

2 DISPLAY



"SUMMER". This symbol appears when the boiler is operating in "Summer" mode or if only the domestic hot water mode is enabled via the remote control. If the symbols ☀️ and ❄️ are flashing, this indicates that the chimney sweep function is active.



"WINTER". This symbol appears when the boiler is operating in "Winter" mode or if both the domestic hot water and heating modes are enabled via the remote control. With the remote control, if no operating modes have been enabled both symbols ☀️ and ❄️ will be off.



"RESET REQUIRED". The message indicates that after having repaired the fault, normal boiler operation can be restored by pressing the button ⏻ R.



"DOMESTIC HOT WATER". This symbol is present during a DHW request or during the "chimney sweep function". It flashes during the selection of the domestic hot water set point.



"HEATING". This symbol lights up during heating operation or during the "chimney sweep function". It flashes during the selection of the heating set point.



"BLOCK" DUE TO NO FLAME.



"FLAME PRESENCE".



"POWER LEVEL". This indicates the power level at which the boiler is operating.



"PARAMETER". This indicates that the user may be in parameter setting/display, or "info" or "counter", or in "activated alarms" (history).



"ALARM". This indicates that a fault has occurred. The number specifies the cause which generated the alarm.



"CHIMNEY SWEEP". This indicates that the "chimney sweep function" has been activated.



"ECO", ALTERNATIVE ENERGY SOURCES. Where active, it indicates that there is a solar system available.



"MAINTENANCE REQUEST". If active, it shows it is time to perform maintenance on the boiler.

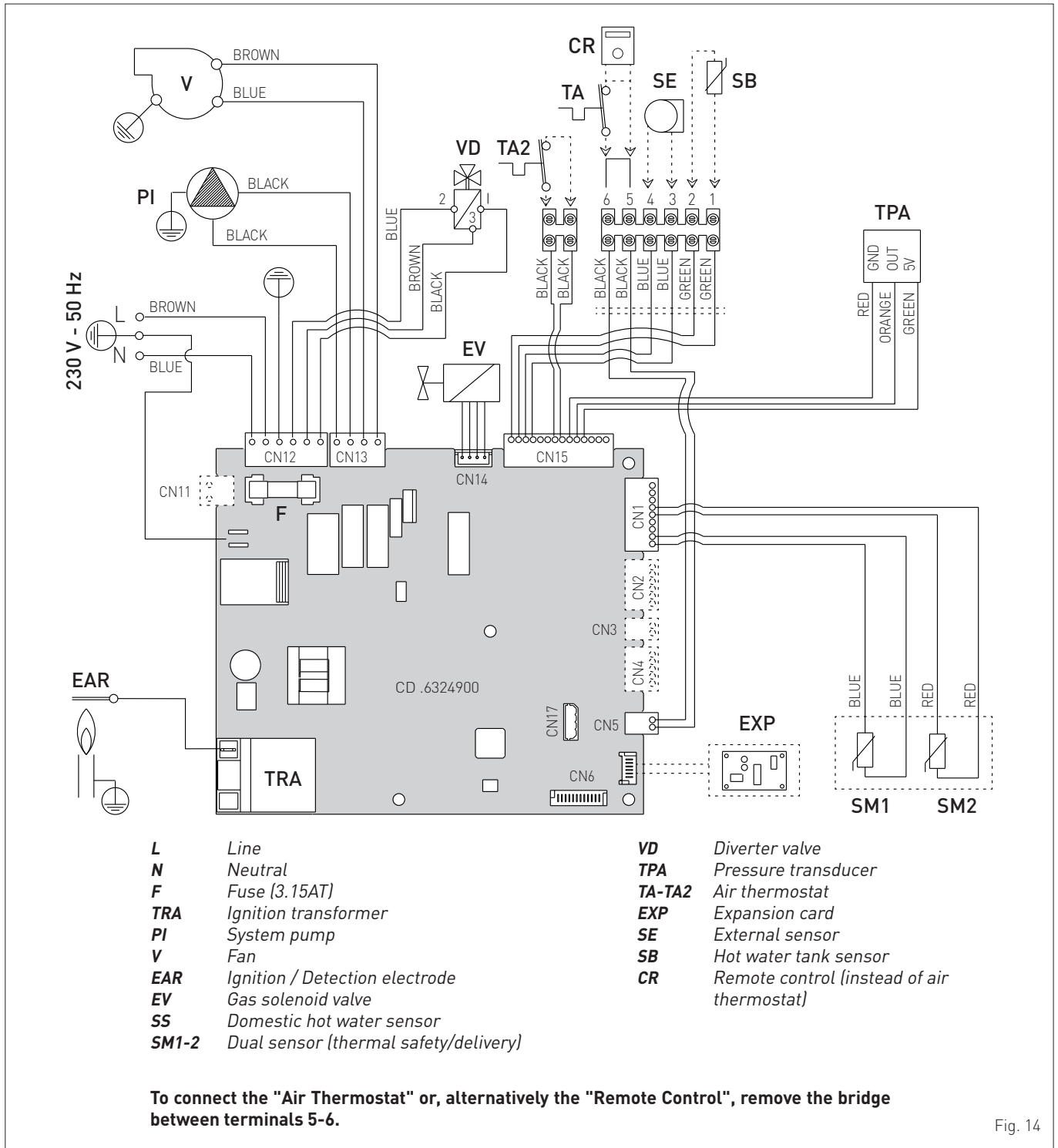
5.11 Wiring diagram


Fig. 14


CAUTION

Users must:

- Use an omnipolar cut-off switch, disconnect switch in compliance with EN Standards **which ensures complete cut-off in overvoltage category III conditions (i.e. where there is at least 3 mm between the open contacts)**.
- Respect the connections L (Live) - N (Neutral).
- Ensure that the special power cable is only replaced with a cable ordered as a spare part and connected by professionally qualified personnel.


CAUTION

Users must:

- Connect the earth wire to an effective earthing system. The manufacturer is not responsible for any damage caused by failure to earth the appliance or failure to observe the information provided in the wiring diagrams.


IT IS FORBIDDEN

To use water pipes for earthing the appliance.

INSTALLATION AND SERVICING INSTRUCTIONS

TABLE OF CONTENTS

6	INSTALLATION	20	8	MAINTENANCE	40
6.1	Receiving the product	20	8.1	Adjustments	40
6.2	Dimensions and weight	20	8.2	External cleaning	40
6.3	Handling	20	8.2.1	<i>Cleaning the cladding</i>	40
6.4	Installation room	20	8.3	Cleaning the inside of the appliance	40
6.5	New installation or installation of a replacement appliance	21	8.3.1	<i>Cleaning the heat exchanger</i>	40
6.6	Cleaning the system	21	8.3.2	<i>Cleaning the burner</i>	41
6.7	Water system treatment	21	8.3.3	<i>Checking the ignition/detection electrode</i>	41
6.8	Boiler installation	21	8.3.4	<i>Final operations</i>	41
6.9	Plumbing connections	22	8.4	Checks	41
6.9.1	<i>Plumbing accessories (optional)</i>	22	8.4.1	<i>Checking the smoke duct</i>	41
6.10	Gas supply	22	8.4.2	<i>Checking the expansion vessel pressure</i>	41
6.11	Smoke outlet and combustion air inlet	23	8.5	Unscheduled maintenance	42
6.11.1	<i>Coaxial duct (Ø 60/100mm and Ø 80/125mm)</i>	24	8.6	Malfunction codes and possible solutions	42
6.11.2	<i>Separate ducts (Ø 80mm)</i>	24	8.6.1	<i>Maintenance request</i>	43
6.12	Electrical connections	26			
6.12.1	<i>External sensor</i>	27			
6.12.2	<i>Chrono-thermostat or Air Thermostat</i>	27			
6.12.3	<i>EXAMPLE of use of the command/control device on some types of heating systems</i>	27			
6.13	Refilling or emptying	28			
6.13.1	<i>REFILL operations</i>	28			
6.13.2	<i>EMPTYING operations</i>	29			
7	COMMISSIONING	30			
7.1	Preliminary operations	30			
7.2	Before commissioning	30			
7.3	Parameter setting and display	30			
7.4	List of parameters	31			
7.5	Display of operating data and counters	33			
7.6	Checks and adjustments	34			
7.6.1	<i>Chimney sweeper function</i>	34			
7.6.2	<i>Adjusting gas pressure at the nozzles</i>	35			
7.7	Gas conversion	36			
7.7.1	<i>Preliminary operations</i>	36			
7.8	Automatic calibration procedure	37			
7.9	Domestic hot water comfort function (preheating)	39			

6 INSTALLATION



CAUTION

The appliance must only be installed by the **Sime** Technical Service or by qualified professionals **who MUST wear** suitable protective safety equipment.

6.1 Receiving the product

Brava Slim BFT appliances are delivered in a single unit protected by cardboard packaging.

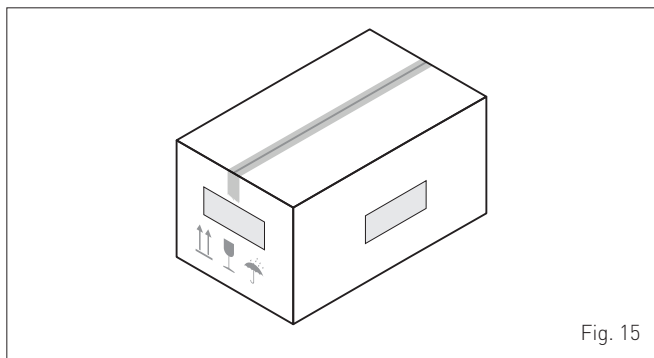


Fig. 15

The plastic bag found inside the packaging contains the following:

- Installation, use and maintenance manual
- Paper template for boiler installation
- Certificate of warranty
- Hydrostatic test certificate
- System booklet
- Bag with expansion plugs



IT IS FORBIDDEN

Do not leave packaging material around or near children since it could be dangerous. Dispose of it as prescribed by legislation in force.

6.2 Dimensions and weight

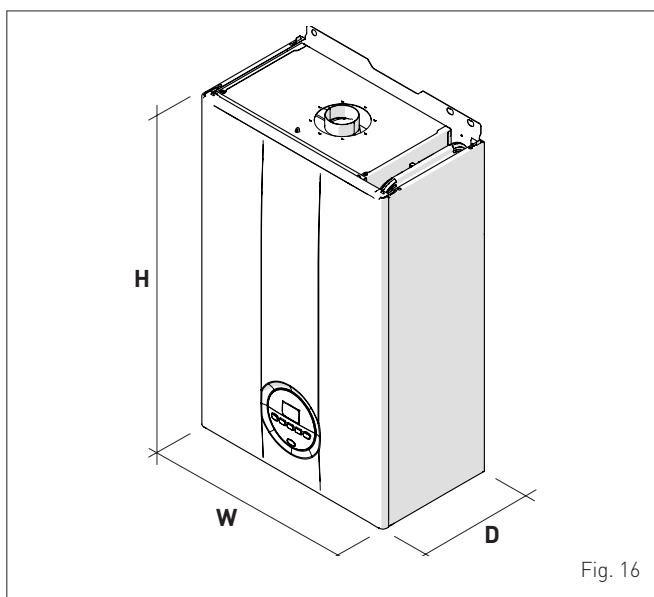


Fig. 16

Description	Brava Slim BFT
	30
W (mm)	450
D (mm)	250
H (mm)	700
Weight (kg)	31,5

6.3 Handling

Once the packaging has been removed, the appliance is to be handled manually, tilting it slightly, lifting it and applying pressure in the points indicated in the figure.

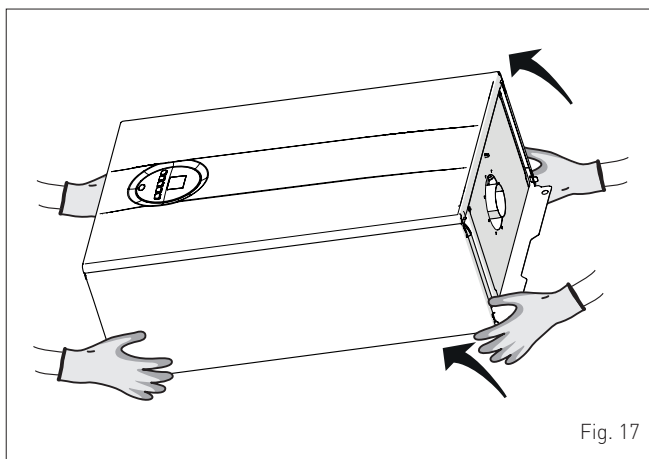


Fig. 17



IT IS FORBIDDEN

To grip the appliance casing. Hold the "solid" parts of the appliance such as the base and structural frame.



WARNING

Use suitable tools and accident protection when removing the packaging and when handling the appliance. Observe the maximum weight that can be lifted per person.

6.4 Installation room

The room where the appliance is to be installed must comply with the Technical Regulations and Legislation in force. It must be equipped with suitably sized ventilation openings when the installation is a "TYPE B" installation.

The minimum temperature of the installation room must NOT be lower than **-5 °C**.



CAUTION

- Before assembling the appliance, the installer **MUST** make sure that the wall supports the weight.
- Remember to consider the space needed in order to access the safety/adjustment devices and to carry out maintenance interventions (see Fig. 18).

APPROXIMATE MINIMUM DISTANCES

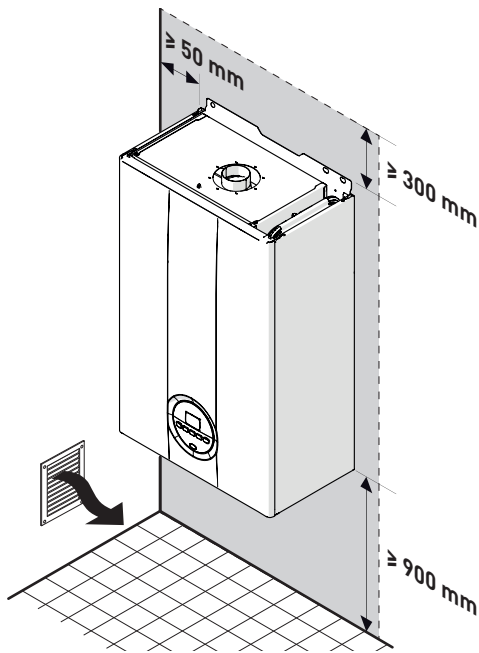


Fig. 18

6.5 New installation or installation of a replacement appliance

When **Brava Slim BFT** boilers are installed on old systems or systems requiring updating, it is recommended the installer checks that:

- the connecting flue pipe is suitable for the combustion temperature of the appliance, calculated and manufactured in compliance with Standards, that it is as straight as possible, air tight, isolated, with no obstructions or restriction and that it has appropriate condensate collection and evacuation systems
- the electrical system has been manufactured in compliance with specific Standards and by professionally qualified personnel
- the fuel delivery line and the tank (LPG) comply fully with specific Standards
- the expansion vessel ensures total absorption of the fluid dilation in the system
- the pump flow-head performance is sufficient for the system characteristics
- the system is clean, free of any sludge, deposits, de aerated and air tight. For system cleaning, please refer to the relevant paragraph.



CAUTION

The manufacturer declines all liability for any damage caused by an incorrect implementation of the smoke outlet or for an excessive use of additives.

6.6 Cleaning the system

Before installing the appliance on a newly constructed system or replacing a heat generator on an existing system, it is important that the system is thoroughly cleaned to remove sludge, slag, dirt, residue etc.

Before removing an old heat generator from an existing system, it is recommended that the user:

- puts a descaling additive into the water system
- allows the system to work with the generator active for a few days
- drains the dirty water from the system and flushes the system with clean water once or more than once.

If the old generator has already been removed or is not available, replace it with a pump to circulate water in the system and then proceed as described above.

Once cleaning operations have been carried out and before installing the new appliance, it is recommended that a fluid is added to the water system to protect it from corrosion and deposits.



CAUTION

- For further information on the type of additive and usage, please contact the appliance manufacturer.
- Please remember that you **MUST** install a Y filter (not supplied with the appliance) on the heating system return (R).

6.7 Water system treatment

When filling and restoring the system it is good practice to use water with:

- aspect: clear if possible
- pH: 6÷8
- hardness: < 25°f.

If the water characteristics are different from those indicated, it is recommended that a safety filter is used on the water delivery pipe to retain impurities, and a chemical treatment system to protect against possible deposits and corrosion which could affect boiler operation.

If the systems are only low temperature systems, it is recommended that a product is used to prevent the development of bacteria.

In any case, please refer to and comply with Legislation and specific Technical Standards in force.

6.8 Boiler installation

Brava Slim BFT boilers leave the factory with a paper template for installation onto a solid wall.

For installation:

- position the paper template (1) on the wall (2) where the boiler is to be mounted
- make the holes and insert the expansion plugs (3)
- hook the boiler onto the plugs.

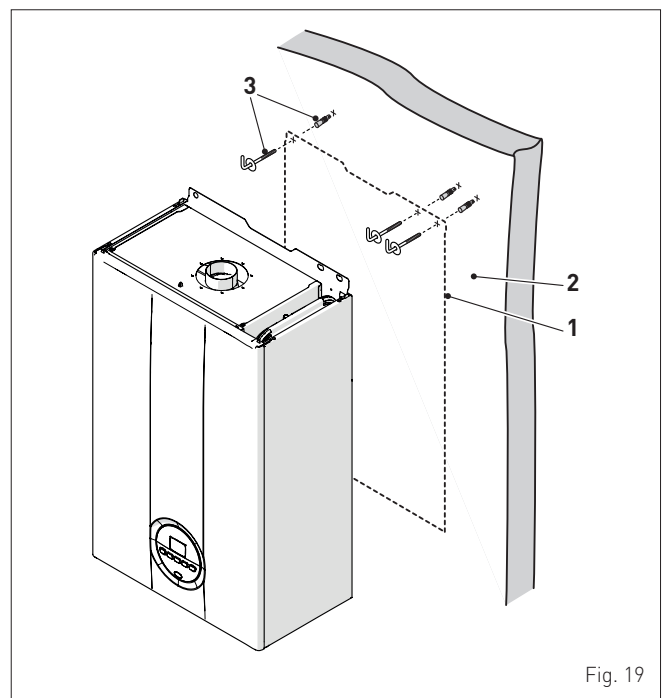


Fig. 19


CAUTION

The height of the boiler is to be such that disassembly and maintenance interventions are facilitated.

6.9 Plumbing connections

The plumbing connections have the following characteristics and dimensions.

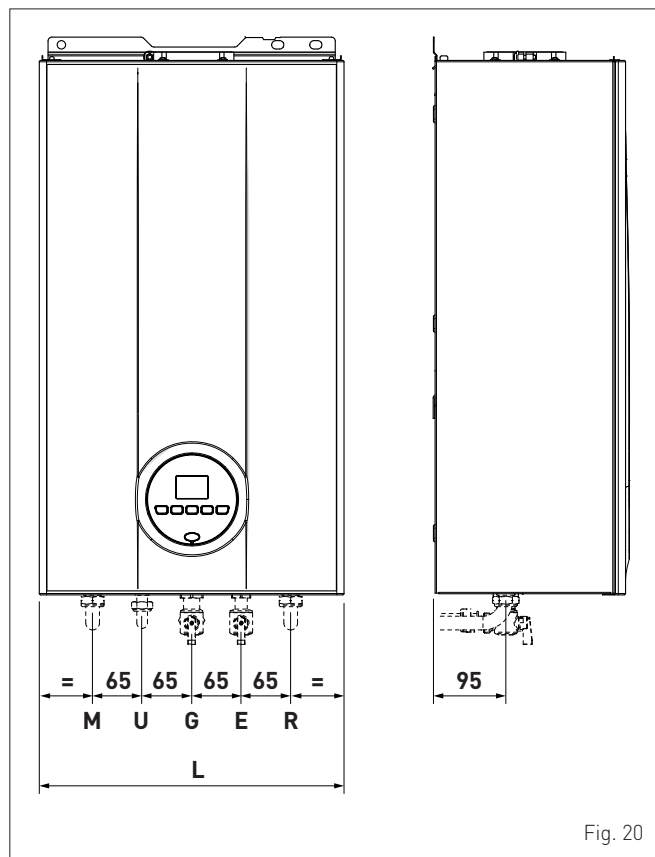


Fig. 20

Description	Brava Slim 30 BFT
M - System delivery	Ø 3/4" G
R - System return	Ø 3/4" G
U - Domestic hot water output	Ø 1/2" G
E - Domestic hot water inlet	Ø 1/2" G
G - Gas supply	Ø 3/4" G
W (mm)	450

6.9.1 Plumbing accessories (optional)

To facilitate plumbing and gas connections to the systems, the accessories as shown in the table below are available and are to be ordered separately from the boiler.

DESCRIPTION	CODE
Installation plate	8075441
Curve kit	8075418
Curve and valve kit with connections from DIN to SIME	8075443
Cocks kit	8091806
Valve kit with connections from DIN to SIME	8075442
Wall mount replacement kit for other makers	8093900
Solar kit for instant combination boilers	8105101
Fitting protection Kit (30 kW)	8094531
Polyphosphate dosing kit	8101700
Dosing recharge kit	8101710

NOTE: kit instructions are supplied with the accessory itself or are to be found on the packaging.

6.10 Gas supply

Brava Slim BFT boilers leave the factory specifically prearranged for G20 gas or G30/G31. The G20 models can be converted to function with G30/G31 using the "specific nozzle kit" (optional) provided by Sime on request separately from the boiler.

If changing the type of gas to be used, carry out the entire "GAS CONVERSION" phase of the appliance.

Boiler connection to the gas mains must be carried out in full compliance with installation Standards in force.

Before connecting the boiler to the gas mains, the user must ensure that:

- the type of gas is correct for the appliance
- the pipes are clean
- the gas supply pipe is the same dimension as or greater than that of the boiler fitting (G3/4") and with a load loss less than or equal to that contemplated between the gas mains and the boiler.


WARNING

Once installation has been completed, check that the joints are air tight as indicated in the installation Standards.

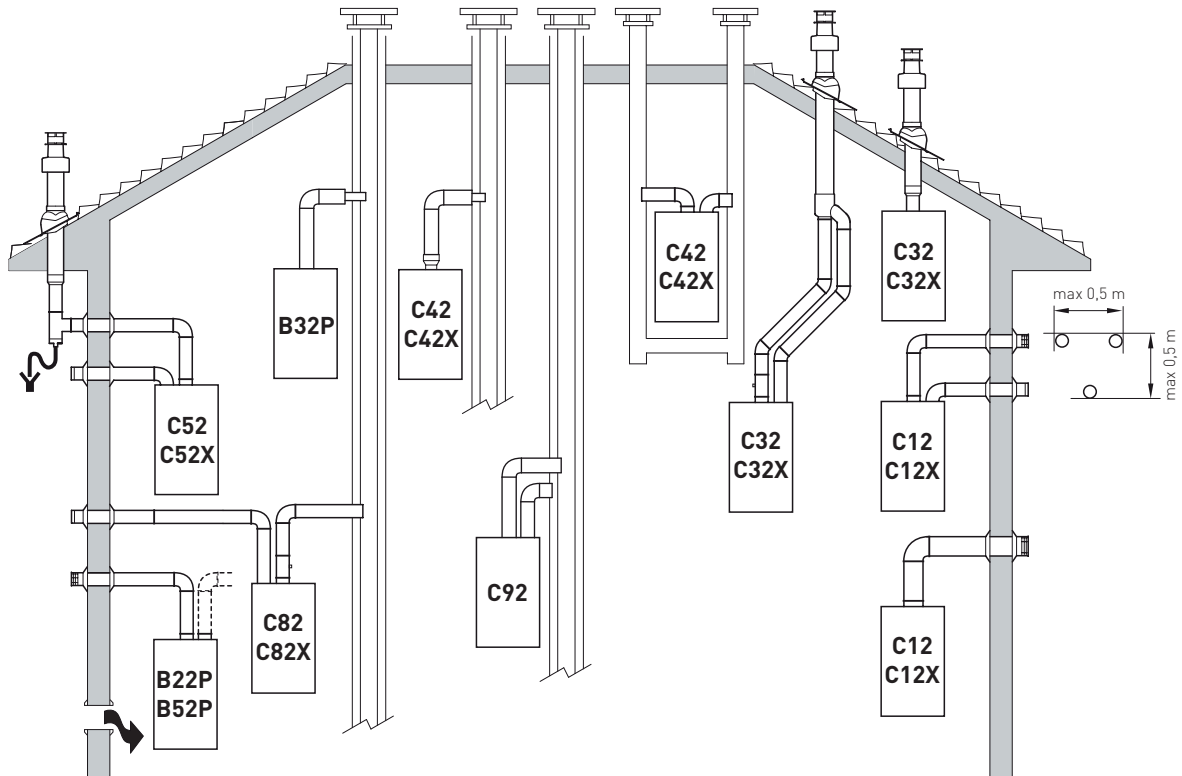

CAUTION

It is recommended that the gas line has a suitable filter.

6.11 Smoke outlet and combustion air inlet

Brava Slim BFT boilers must be equipped with appropriate smoke flue ducts and combustion air inlet ducts. These ducts are considered an integral part of the boiler and are provided by **Sime** as an accessory kit, to be ordered separately from the appliance on the basis of the type permitted and the system requirements.

Permitted outlets



B22P-B52-B52P

Combustion air inlet into the atmosphere and smoke outlet to open air.

NOTE: opening for combustion air ($6 \text{ cm}^2 \times \text{kW}$).

C12-C12X

Concentric wall smoke outlet The pipes can start from the boiler but the outlets must be concentric or close together (no more than 50 cm) to be subject to similar wind conditions.

C32-C32X

Concentric roof outlet Outlet as C12X.

C42-C42X

Outlet and inlet in shared or separate flue pipes but subjected to similar wind conditions.

C52-C52X

Separate wall or roof inlet and outlet in different pressure areas.

NOTE: the inlet and outlet must never be positioned on opposing walls.

C82-C82X

Outlet in single or shared flue or with inlet on wall.

C92

Separate outlet and inlet in shared flue pipe.

P: smoke outlet system designed to operate with positive pressure.

X: appliances and corresponding smoke outlet which meet German air-tightness requirements.

Fig. 21


WARNINGS

- The smoke flue and the connection to the flue pipe must be in compliance with the national and local Standards and Legislation in force.
- The use of rigid ducts which are resistant to temperature, condensate, mechanical stress and are air-tight is compulsory.
- Outlet ducts which are not isolated are a risk of danger.

6.11.1 Coaxial duct (Ø 60/100mm and Ø 80/125mm)
Coaxial accessories

Description	Code	
	Ø 60/100 mm	Ø 80/125 mm
Coaxial duct kit	8084813	8084830
Extension W. 1000 mm	8096103	8096130
Extension W. 500 mm	8096102	-
Vertical extension W. 200 mm with smoke analysis take-off point	8086908	-
Adapter for Ø 80/125 mm	-	8093120
Additional 90° curve	8095801	8095820
Additional 45° curve	8095900	8095920
Tile with joint	8091300	8091300
Roof outlet terminal W. 1284 mm	8091200	8091200
Vertical condensation recovery W. 200 mm	8092803	8092803

Load loss - Equivalent lengths

Model	Leq (linear metres)	
	Ø 60/100 mm	Ø 80/125 mm
90° curve	1	1
45° curve	0,5	0,8

Minimum-Maximum Lengths

Model	Duct Length Ø 60/100				Duct Length Ø 80/125			
	W Horizontal (m)		H Vertical (m)		W Horizontal (m)		H Vertical (m)	
	Min.	Max.	Min.	Max.	Min.	Max.	Min.	Max.
Brava Slim 30 BFT	-	3	1,3 (*)	5	3	6	4	7


CAUTION

(*) Vertical condensate recovery **MUST** be introduced for vertical ducts (Type C32) or vertical sections of the duct (Type C42) longer than 1.3m.

Diaphragms for coaxial ducts

Boilers leave the factory equipped with a diaphragm (1) with the following characteristics:

- **Brava Slim 30 BFT:** diaphragm Ø 81 mm.

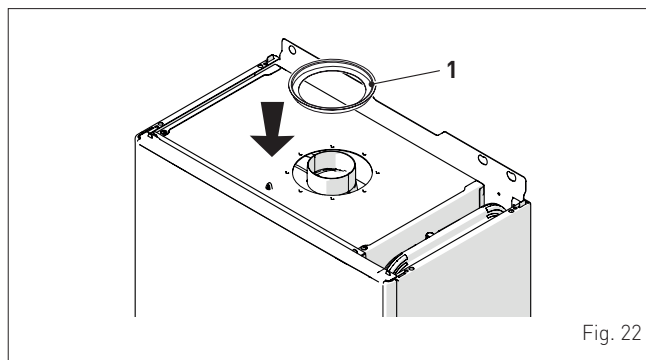


Fig. 22

When the outlets are **Type C12** or **C42** the diaphragm is to be removed or kept following the indications below:

Model	Diaphragm	for duct L
Brava Slim 30 BFT	YES (leave mounted)	< 1 m
	NO (remove it)	> 1 m

When the outlet is **Type C32** (vertically straight without any curves), the presence of the diaphragm modifies the maximum length of the duct as shown below:

Model	Diaphragm	Max L (m)
Brava Slim 30 BFT	YES	2,5
	NO	5

6.11.2 Separate ducts (Ø 80mm)

Constructing outlets for separate ducts indicates the use of the "air-flue split pipe system". This is to be ordered separately from the boiler and when connected to the other accessories, from those listed in the table below, completes the smoke-outlet/ combustion air inlet assembly.

The total maximum length obtained from the length of the outlet and inlet pipes is determined by the load loss of the individual accessories and must not be greater than 9.5 mm H₂O.

Separate accessories

Description	Code
	Diameter Ø 80 (mm)
Air-flue split pipe system (with take-off point) + Diaphragm	8093020
90° curve M-F (6 pieces)	8077410
90° curve M-F (with take-off point)	8077407
90° curve M-F (insulated)	8077408
Extension W. 1000 mm (6 pieces)	8077309
Extension W. 1000 mm (insulated)	8077306
Extension W. 500 mm (6 pieces)	8077308
Extension W. 135 mm (with take-off point)	8077304
Wall outlet terminal	8089501
Internal and external ring nut kit	8091500
Inlet terminal	8089500
45° curve M-F (6 pieces)	8077411
Condensate recovery W. 135 mm	8092800
Manifold	8091400
Tile with joint	8091300
Roof outlet terminal W. 1390 mm	8091201
Condensate recovery Tee	8093300
Inlet/outlet fitting Ø 80/125 mm	8091401

Split pipe system

The split pipe system is supplied with the combustion air inlet diaphragm which is to be mounted, after the sections have been eliminated according to the total load loss which is calculated by summing the load losses of the inlet ducts to those of the outlet ducts.

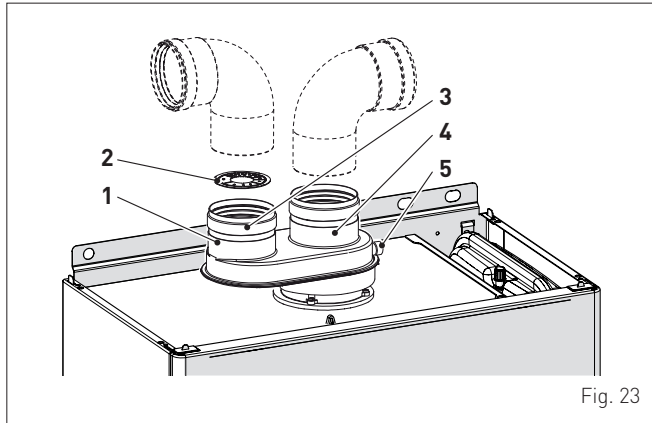


Fig. 23

KEY:

- 1 Split pipe system with take-off point
- 2 Inlet diaphragm
- 3 Air inlet
- 4 Smoke outlet
- 5 Take-off point for smoke analysis

Load loss accessory Ø 80 mm

Description	Code	Load loss (mm H ₂ O)	
		Brava Slim 30 BFT	
		Inlet	Outlet
90° curve MF	8077410	0,45	0,50
45° curve MF	8077411	0,40	0,45
Horizontal extension W. 1000 mm	8077309	0,25	0,35
Vertical extension W. 1000 mm	8077309	0,25	0,15
Wall terminal	8089501	0,20	0,80
Condensate recovery Tee	8093300	-	1,00
Roof outlet terminal (*)	8091200	2,00	0,20

(*) The losses of the roof outlet terminal at inlet include the manifold code 8091400.

NOTE: for the boiler to operate correctly it is necessary that a minimum distance of 0.50 m of the duct is respected with a 90° inlet curve.

Example: calculation of the load loss of a **Brava Slim 30 BFT** boiler.

Accessories Ø 80 mm	Code	Quantity	Load loss (mm H ₂ O)		
			Inlet	Outlet	Total
Extension W. 1000 mm (horizontal)	8077309	7	7 x 0,25	-	1,75
Extension W. 1000 mm (horizontal)	8077309	7	-	7 x 0,35	2,45
90° curve	8077410	2	2 x 0,45	-	0,90
90° curve	8077410	2	-	2 x 0,5	1,00
Wall terminal	8089501	2	0,2	0,8	1,00
TOTAL					7,10

(installation permitted since the total of the load loss of the accessories used is less than 9.0 mmH₂O).

With this total load loss, sections 1 to 6 (inclusive) must be removed from the inlet diaphragm (2).

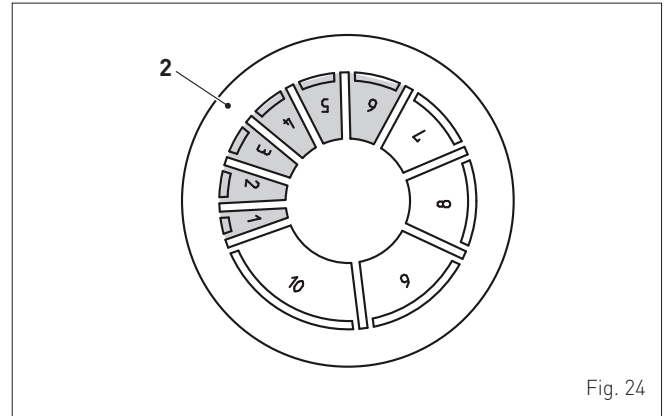


Fig. 24

No. of sections to be removed	Total load loss (mm H ₂ O)
	Brava Slim 30 BFT
None	0 ÷ 0,8
1	0,8 ÷ 1,5
1 ÷ 2	1,5 ÷ 2,4
1 ÷ 3	2,4 ÷ 3,2
1 ÷ 4	3,2 ÷ 4,0
1 ÷ 5	4,0 ÷ 4,8
1 ÷ 6	4,8 ÷ 5,6
1 ÷ 7	5,6 ÷ 6,5
1 ÷ 8	6,5 ÷ 7,3
1 ÷ 9	7,3 ÷ 7,8
1 ÷ 10	7,8 ÷ 8,4
Entire diaphragm	8.4 - 9.5 (*)

(*) Maximum load loss permitted.

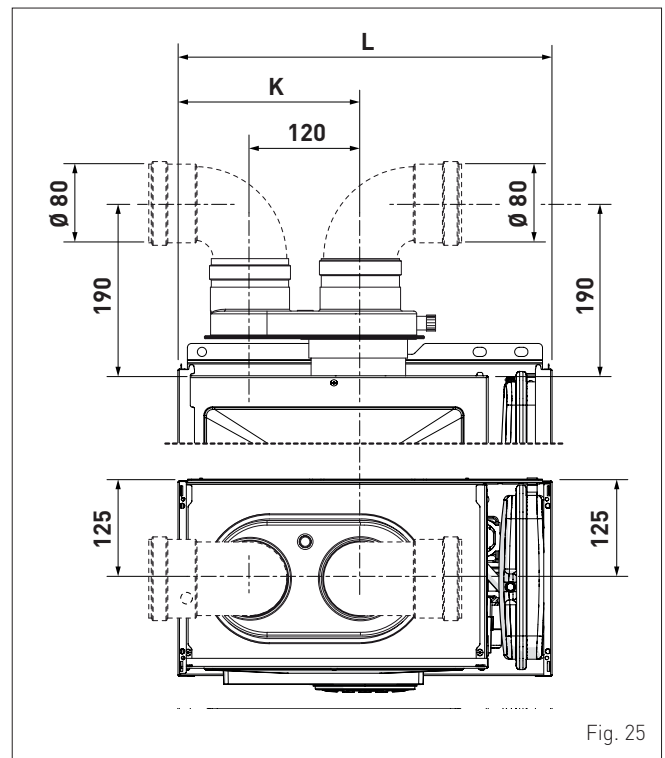


Fig. 25

Description	Brava Slim 30 BFT
K (mm)	221
W (mm)	450

6.12 Electrical connections

The boiler is equipped with a ready wired power cable which is to be connected to a 230V-50 Hz network.

If this cable needs to be replaced, an original spare must be requested from **Sime**.

Therefore only the connections of the original components as shown in the table are needed. These are to be ordered separately from the boiler.

DESCRIPTION	CODE
External sensor kit ($\beta=3435$, NTC 10K0hm at 25°C)	8094101
Power cable (dedicated)	6323875
Remote control HOME (open therm)	8092280
Remote control HOME PLUS (open therm)	8092281



CAUTION

The maintenance interventions described must ONLY be carried out the professionally qualified personnel.



WARNING

Before carrying out any interventions described:

- set the main system switch to "OFF"
- close the gas valve
- make sure that no hot parts inside the appliance are touched.

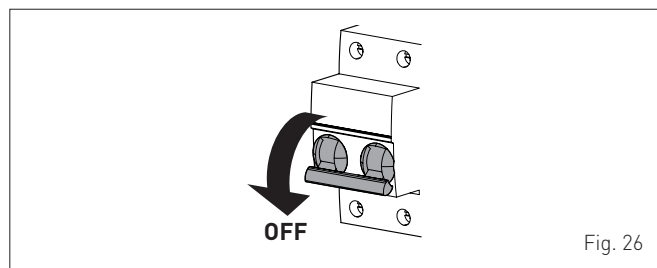


Fig. 26

To facilitate introduction of the connection wires of the optional components into the boiler:

- remove the screws (1), pull the front panel (2) forwards and release it from the top by lifting it

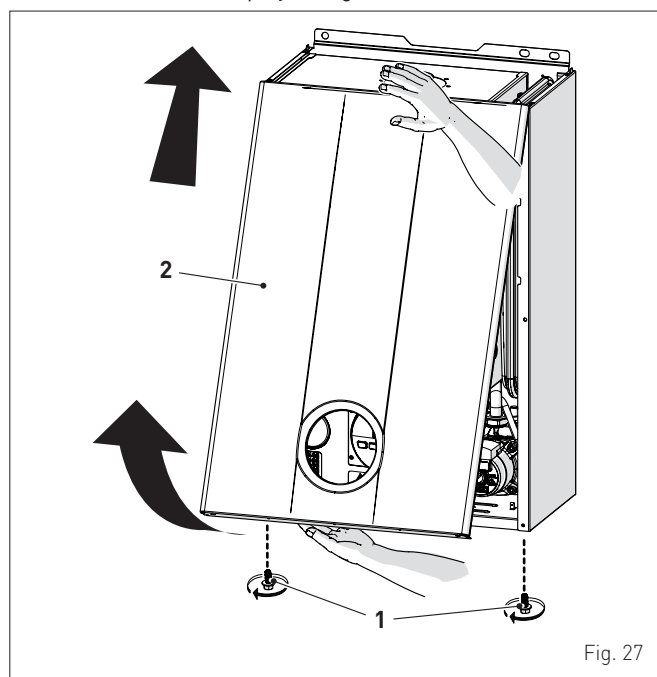


Fig. 27

- remove the screws (3) securing the control panel (4)
- move the panel (4) upwards (a) but keeping it in the side guides (5) to the end of travel
- bring it forwards and down (b) until it is horizontal

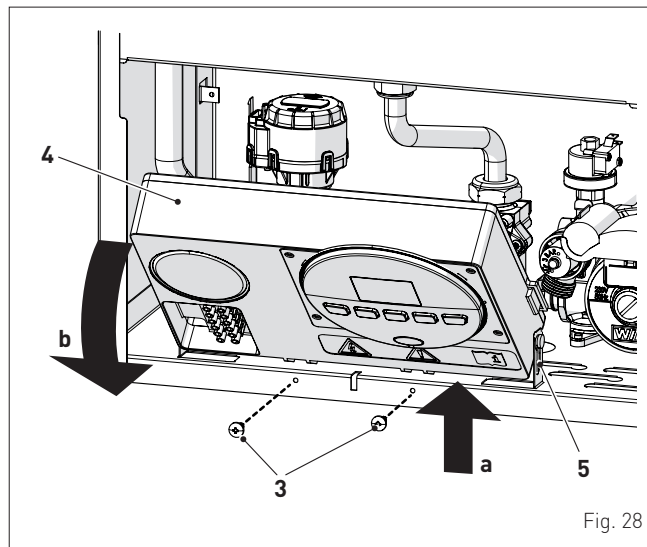


Fig. 28

- insert the connection wires into the cable gland (6) and the opening (7) on the control panel

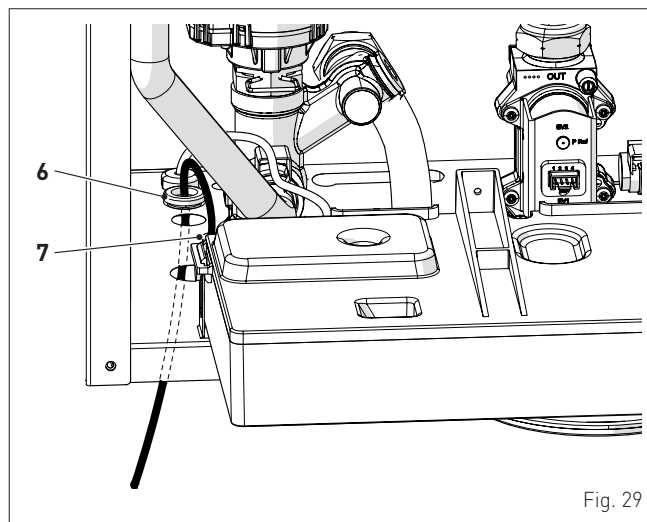


Fig. 29

- bring the control panel (4) to the original position and secure it with the screws (3) which were removed previously
- connect the component wires to the terminal board (8) following the indications provided on the data plate (9).

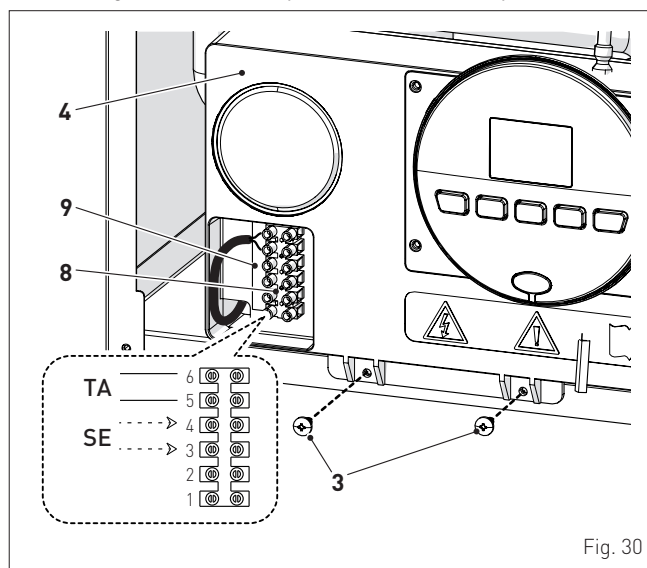


Fig. 30



CAUTION

It is compulsory:

- to use an omnipolar cut-off switch, disconnect switch, in compliance with EN standards (contact opening of at least 3 mm)
- if the power cable is to be replaced, that ONLY a special cable is used with a factory produced re-wired connector, ordered as a spare part and connected by a professionally qualified person
- to connect the earth wire to an effective earthing system (*)
- that before any intervention on the boiler, the mains power is disconnected by setting the main system switch to "OFF".

(*) The manufacturer is not responsible for any damage caused by failure to earth the appliance or failure to observe the information provided in the wiring diagrams.



IT IS FORBIDDEN

To use water pipes for earthing the appliance.

6.12.1 External sensor

The boiler is prearranged for connection to an external air temperature sensor and can operate with a sliding temperature. This means that the delivery temperature sent to the boiler can vary on the basis of the external temperature depending on the climatic curve selected from those shown in the diagram (Fig. 31).

When fitting the sensor on the outside of the building, follow the instructions provided on the packaging of the product itself.

Climatic curve

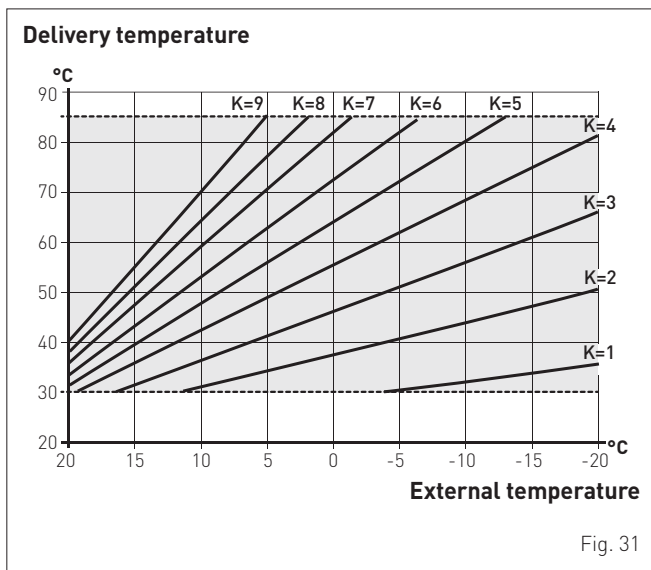


Fig. 31



CAUTION

If there is an external sensor, in order to select the optimal climatic curve for the system and therefore the delivery temperature based on the external temperature:

- press the button for 1 second
- press buttons + or - until the required curve K has been selected (within the range K=0.0 - K=9.0).

6.12.2 Chrono-thermostat or Air Thermostat

The electrical connection of the chrono-thermostat or air thermostat has already been described. When fitting the component in the room where the readings are to be taken, follow the instructions provided on the packaging of the product itself.

6.12.3 EXAMPLE of use of the command/control device on some types of heating systems

KEY

- M System delivery
- R System return
- CR Remote control
- SE External sensor
- TA Air thermostat for boiler activation
- TZ1-TZ3 Air thermostat for the zone
- VZ1-VZ3 Zone valves
- RL1-RL3 Zone relays
- P1-P3 Zone pump
- TSB Low temperature safety thermostat

ONE DIRECT ZONE system , external sensor and air thermostat.

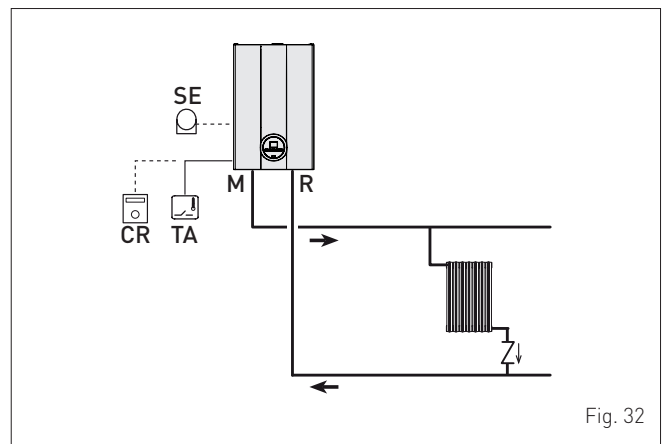


Fig. 32

MULTI ZONE system - with zone valve, air thermostat and external sensor.

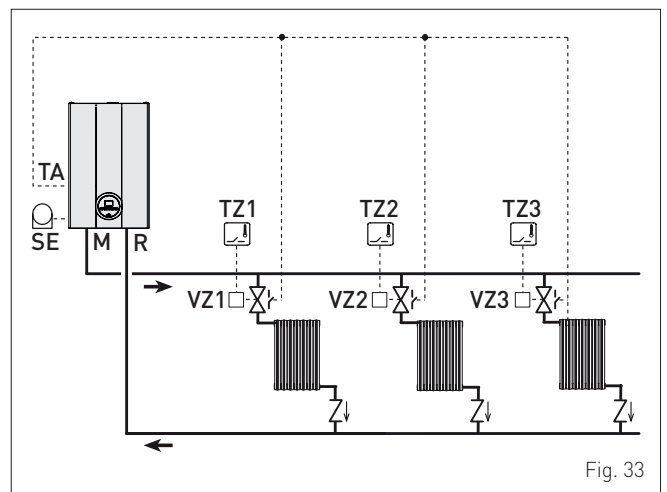


Fig. 33



CAUTION

Set the parameter "tS 17 = DELAY SYSTEM PUMP ACTIVATION" to allow the opening of zone valve Vz.

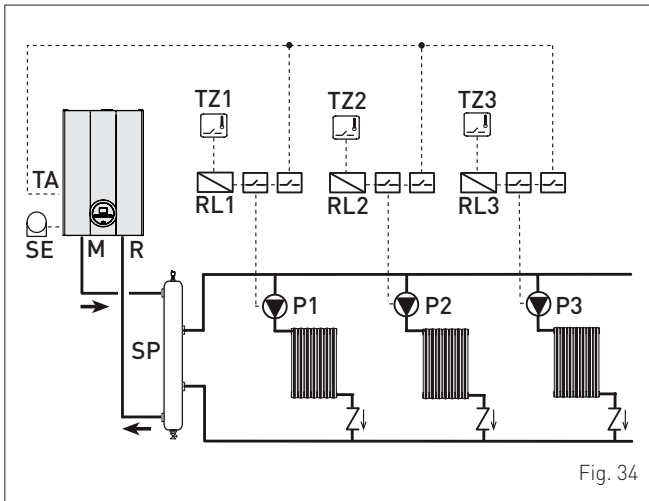
MULTI ZONE system - with pump, air thermostat and external sensor.


Fig. 34

6.13 Refilling or emptying

Before carrying out the operations described below, make sure that the main system switch is set to "ON" in order for the display to show the pressure level in the system during refilling. **Make sure that the operating mode is set to "Stand-by"**; if this is not the case, press the button for at least 1 second until this mode has been selected.

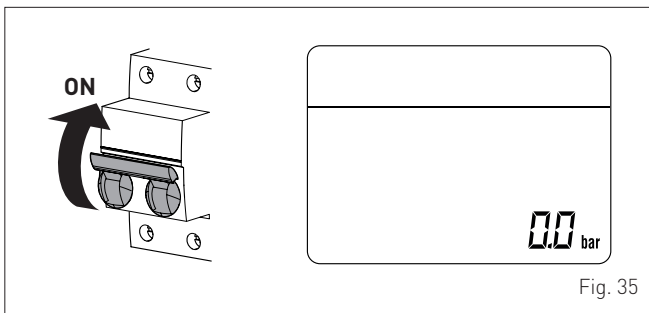


Fig. 35

6.13.1 REFILL operations

The **Brava Slim BFT** boilers are not equipped with a filling valve which must be prearranged on the system return.

Remove the front panel:

- remove the two screws (1), pull the front panel (2) forwards and release it from the top by lifting it.

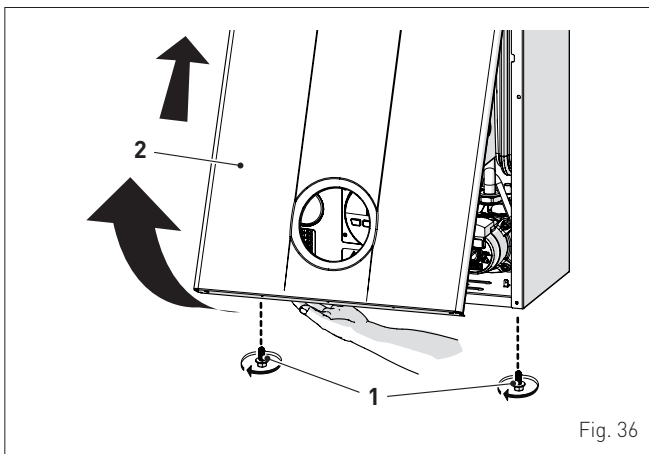


Fig. 36

Domestic hot water circuit:

- open the isolation valves of the domestic hot water circuit (if present)
- open one or more than one hot water valve to fill and bleed the domestic hot water circuit
- once bleeding has been completed, close the hot water valves.

Heating circuit:

- open the isolation and air bleeding valves in the highest points of the system
- loosen the automatic bleed valve (3)
- open the isolation valves of the heating circuit (if present)
- Open the filling valve, which should be on the system return
- Fill until the water overflows from the air bleeding valves and shut off the valves again
- Continue filling until the pressure reaches **1-1.2 bar** as shown on the display (4)
- close the filling valve
- check that there is no air in the system by bleeding all the radiators and the circuit on the high points of the system
- remove the front plug (5) of the pump and use a screwdriver to check that the impeller is not blocked
- replace the plug (5)

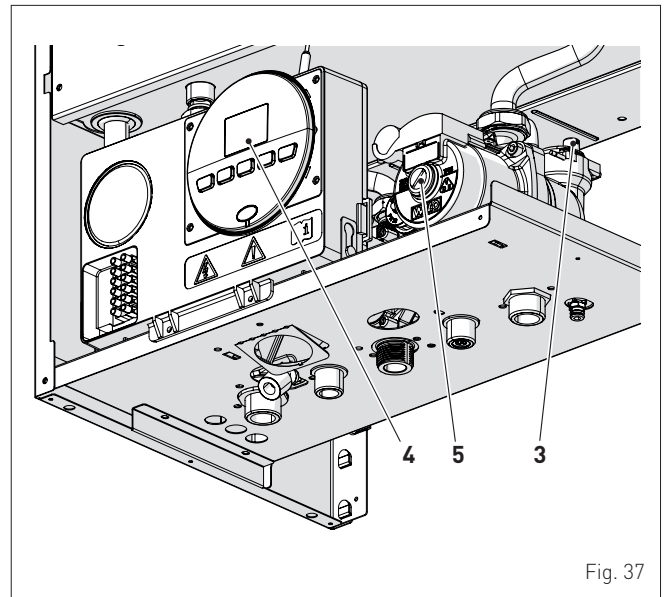


Fig. 37

NOTE: to completely remove all air from the system, it is recommended that this operation is repeated a number of times.

- check the pressure on the display and if necessary top up until the correct pressure reading appears
- close the automatic bleed valve (3).

Refit the front panel of the boiler hooking it on at the top, pushing it forwards and securing it with the screw (1) which was removed previously.

6.13.2 EMPTYING operations

Domestic hot water circuit:

- close the domestic hot water circuit isolation valve (prearranged in installation)
- open one or more than one hot water valve to fill and bleed the domestic hot water circuit.

Boiler:

- loosen the automatic bleed valve (3)
- close the heating circuit isolation valves (prearranged in installation)
- check that the filling valve which was prearranged during installation is closed
- connect a rubber hose to the boiler drain valve (6) and open it
- when it has fully emptied, close the drain valve (6)
- close the automatic bleed valve (3).

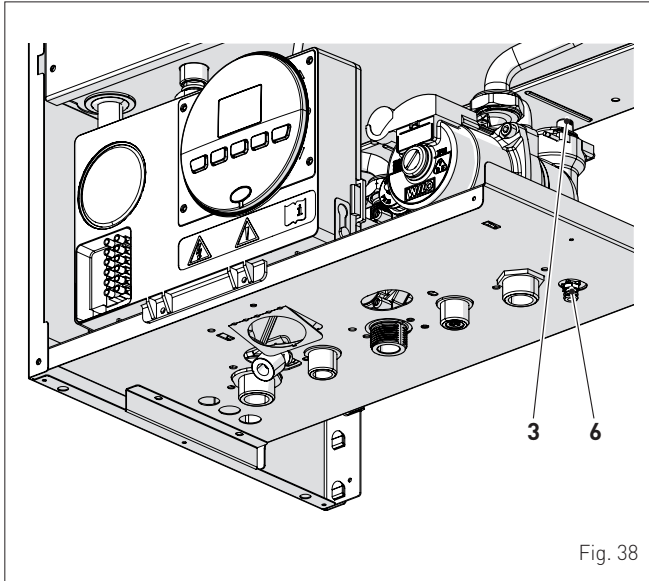


Fig. 38

7 COMMISSIONING

7.1 Preliminary operations



WARNING

- Should it be necessary to access the areas in the bottom part of the appliance, make sure that the system components and pipes are not hot (risk of burning).
- Before replenishing the heating system, put on protective gloves.

Before commissioning the appliance, check that:

- the type of gas is correct for the appliance
- the gas isolation valves for the heating system and the water system are open
- the pump impeller rotates freely.

7.2 Before commissioning

After having carried out the preliminary operations, perform the following to start the boiler:

- set the main system switch to "ON"

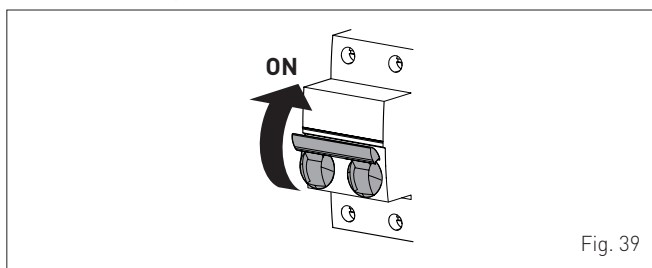
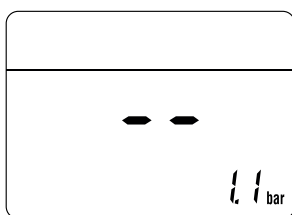
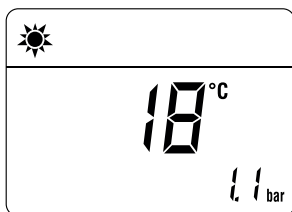


Fig. 39

- the type of gas for which the boiler has been calibrated, "nG" (methane) or "LG" (LPG,) will appear followed by the power. After this the correct representation of the symbols will be checked and finally "--" will appear on the display



- check that the system pressure as shown on the pressure gauge when the system is cold, is between 1 and 1.2 bar
- press the button once for at least 1 second to select "SUMMER mode" the value of the delivery sensor detected at that moment will appear on the display



- open one or more than one hot water tap. The boiler will work at maximum power until the taps are closed.

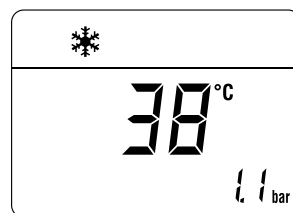
- if there is a fault, the message "ALL" will appear on the display, the fault code (eg. "06" - no flame detected) and the message RESET .



CAUTION

To restore the start conditions press and hold the button for more than 3 seconds. This operation can be carried out no more than 6 times.

- close the taps opened previously and check that the appliance shuts down
- press the button once for at least 1 second to select "WINTER mode" The value of the heating water temperature detected at that moment will appear on the display

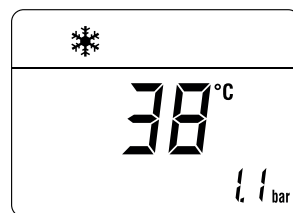


- adjust the air thermostat and check that the boiler starts and operates correctly
- to check that the pressure in the network and the nozzles are correct, the procedure described in section must be carried out "Chimney sweeper function".

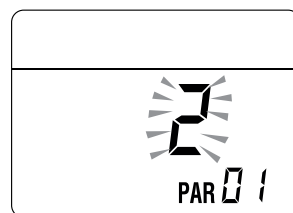
7.3 Parameter setting and display



To go into the parameter menu:



- from the selected mode (eg. WINTER)


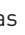


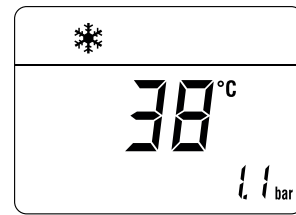
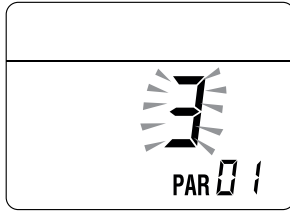
- press the buttons and (for approximately 5 seconds) at the same time until "PAR 01" (parameter number) and the value set (0÷4) appears on the display





- press the button  to scroll up the list of parameters and then  to scroll down the list

NOTE: holding the buttons  or  increases the speed of the scrolling movement.

- once the required parameter has been reached, press the buttons  or  to modify the value within the permitted range. The modifications are stored automatically.



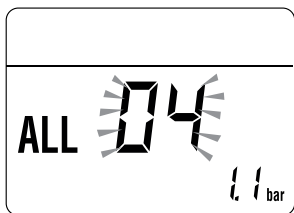
When all the parameter modifications have been made, exit the parameter menu by pressing and holding down the buttons  and  all at the same time for at least 5 seconds until the initial screen is displayed.

7.4 List of parameters

Type	No.	Description	Range	U/M	Step	Default
CONFIGURATION						
PAR	01	Index showing boiler power in kW	1 = 30	-	1	1
PAR	02	Hydraulic configuration	0 = rapid 1 = storage tank with thermostat or heating only 2 = hot water tank with sensor 3 = bithermic 4=instant with solar power input	-	1	2
PAR	03	Gas Type Configuration	0 = G20; 1 = LPG	-	1	0 or 1
PAR	04	Combustion configuration	0 = sealed chamber with combustion control 1 = open chamber with smoke thermostat 2 = Low NOx	-	1	0
PAR	08	External sensor value correction	-5 .. +5	°C	1	0
DOMESTIC HOT WATER - HEATING						
PAR	10	Boiler Antifreeze Threshold	0 .. +10	°C	1	3
PAR	11	External Sensor Antifreeze Threshold -- = Disabled	-9 .. +5	°C	1	-2
PAR	12	Heating Curve Incline	0 .. 80	-	1	20
PAR	13	Minimum Heating Temperature Adjustment	20 .. PAR 14	°C	1	20
PAR	14	Maximum Heating Temperature Adjustment	PAR 13 .. 80	°C	1	80
PAR	15	Maximum power heating	0 .. 100	%	1	100
PAR	16	Heating Post-Circulation Time	0 .. 99	seconds x 10	1	3
PAR	17	Heating Pump Activation Delay	0 .. 60	seconds x 10	1	0
PAR	18	Re-ignition Delay	0 .. 60	Min	1	3
PAR	19	Domestic Hot Water Modulation with Flow meter	0 = Disabled 1 = Enabled	-	1	1
PAR	20	Maximum power domestic hot water	0 .. 100	%	1	100
PAR	21	Minimum power heating/domestic hot water (premixed)	0 .. 100	%	1	0
PAR	22	Domestic hot water preheating enabling	0 = OFF; 1 = ON	-	1	0
PAR	23	External relay 1 function	0 = not used 1 = remote alarm NO 2 = remote alarm NC 3 = zone valve 4 = automatic filling 5 = external request 6 = recirculation pump 7 = zone valve with OT 8 = relaunch pump	-	-	0

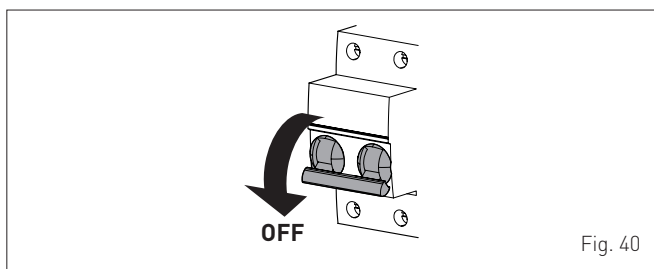
Type	No.	Description	Range	U/M	Step	Default
PAR	24	External relay 2 function	0 = not used 1 = remote alarm NO 2 = remote alarm NC 3 = zone valve 4 = automatic filling 5 = external request 6 = recirculation pump 7 = zone valve with OT 8 = relaunch pump	-	-	0
PAR	25	Auxiliary TA function	0 = according to TA 1 = TA Antifreeze 2 = domestic hot water disabled	-	1	0
PAR	26	Zone Valve / Pump Relaunch Delay	0 .. 99	Min	1	1
PAR	28	DHW activation delay with solar power	0 .. 30	Min	1	0
PAR	29	Anti-legionella Function (Only hot water tank) -- = Disabled	50 .. 80	-	1	--
PAR	30	Maximum domestic hot water temperature	35 .. 67	°C	1	60
PAR	35	Digital / analogue Pressure switch	0 = water pressure switch 1 = water pressure transducer 2 = water pressure transducer (only pressure displayed)	-	1	1
PAR	40	Modulating Pump Speed	-- = No modulation AU = Automatic 30 .. 100	%	10	AU
PAR	41	ΔT Modulating pump delivery/Return	10 .. 40	°C	1	20
PAR	47	System pump forcing (only in winter mode)	0 = Disabled 1 = Enabled	-	1	0
RESET						
PAR	48	INST Parameter set to default	0 .. 1	-	-	0

In the event of a fault/malfunction the message "ALL" will appear on the display with the alarm number eg. "ALL 04" (Domestic Hot Water Sensor Fault).



Before repairing the fault:

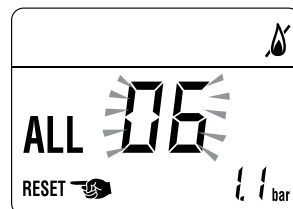
- disconnect the appliance from the mains power by setting the main switch to "OFF"



- as a precautionary measure, close the gas isolation valve.

Repair the fault and start-up the boiler again.

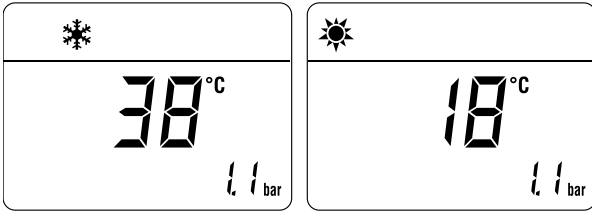
NOTE: after having repaired the fault, when the alarm number appears on the display together with the message **RESET** (see figure), press the button **OR** for approximately 3 seconds to start the appliance up again.



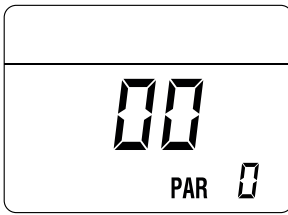
7.5 Display of operating data and counters

Once the boiler is operating a qualified technician can view the operating data and the counters as follows:

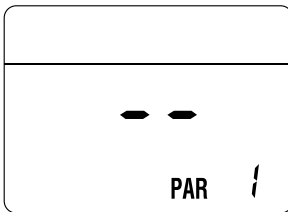
- from the operating screen in the mode enabled at that moment (WINTER ❄️ or SUMMER ☀️)



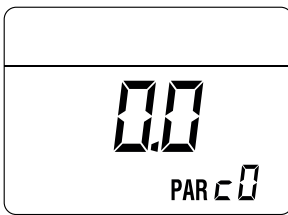
- go into "DISPLAY" by pressing the buttons and at the same time for more than 3 seconds until the following screen appears



- From this point, the technician has 2 options:
- scroll through the list of "information (PAR)" and "counters (PARc)" by pressing the button . Scrolling will be in sequence



- display the "activated alarms" (no more than 10) by pressing the button



- Once in this section, proceed with button or .

When all the values have been displayed, exit the menu by pressing and holding down the button for approximately 5 seconds until the initial screen is displayed.

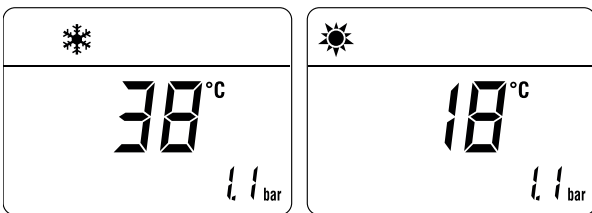


TABLE OF INFORMATION DISPLAYED

Type	No.	Description	Range	U/M	Step
PAR	00	SW version			
PAR	01	External sensor	- 9 .. 99	°C	1
PAR	02	Delivery sensor 1 temperature	- 9 .. 99	°C	1
PAR	03	Delivery sensor 2 temperature	- 9 .. 99	°C	1
PAR	04	Domestic hot water sensor temperature	- 9 .. 99	°C	1
PAR	05	AUX auxiliary sensor	- 9 .. 99	°C	1
PAR	06	Actual heating SET temperature	Par. 13 ... Par. 14	°C	1
PAR	07	Power level	0 .. 99	%	1
PAR	08	Flow meter rate	0 .. 99	l/min	0.1
PAR	09	Water pressure transducer reading (if reset)	0...99	bar	0.1

TABLE OF COUNTER DISPLAYED

Type	No.	Description	Range	U/M	Step
PAR	c0	total no. of boiler operating hours	0 .. 99	h x 1000	0.1; from 0.0 to 9.9; 1; from 10 to 99
PAR	c1	total no. of burner operating hours	0 .. 99	h x 1000	0.1; from 0.0 to 9.9; 1; from 10 to 99
PAR	c2	total no. of burner ignitions	0 .. 99	h x 1000	0.1; from 0.0 to 9.9; 1; from 10 to 99
PAR	c3	total no. faults	0 .. 99	x 1	1
PAR	c4	total no. of times PAR parameters accessed	0 .. 99	x 1	1
PAR	c5	total no. of times OEM parameters accessed	0 .. 99	x 1	1
PAR	c6	time until next maintenance intervention	0 .. 99	months	1
PAR	c7	total no. of calibrations	1 .. 199	x 1	1

TABLE OF ACTIVATED ALARMS/FAULTS

Type	No.	Description
PAR	A0	Last activated alarm/fault
PAR	A1	Last but one activated alarm/fault
PAR	A2	Third from last activated alarm/fault
PAR	A3	Previous activated alarm/fault
PAR	A4	Previous activated alarm/fault
PAR	A5	Previous activated alarm/fault
PAR	A6	Previous activated alarm/fault
PAR	A7	Previous activated alarm/fault
PAR	A8	Previous activated alarm/fault
PAR	A9	Previous activated alarm/fault

7.6 Checks and adjustments

7.6.1 Chimney sweeper function

The chimney sweeper function is used by the qualified maintenance technician to check the gas pressure at the nozzles, detect the combustion parameters and to measure the combustion efficiency required by legislation in force.

This function lasts 15 minutes and is activated by proceeding as follows:

- if the panel (2) has not already been removed, remove the two screws (1), pull the front panel (2) forwards and release it from the top by lifting it

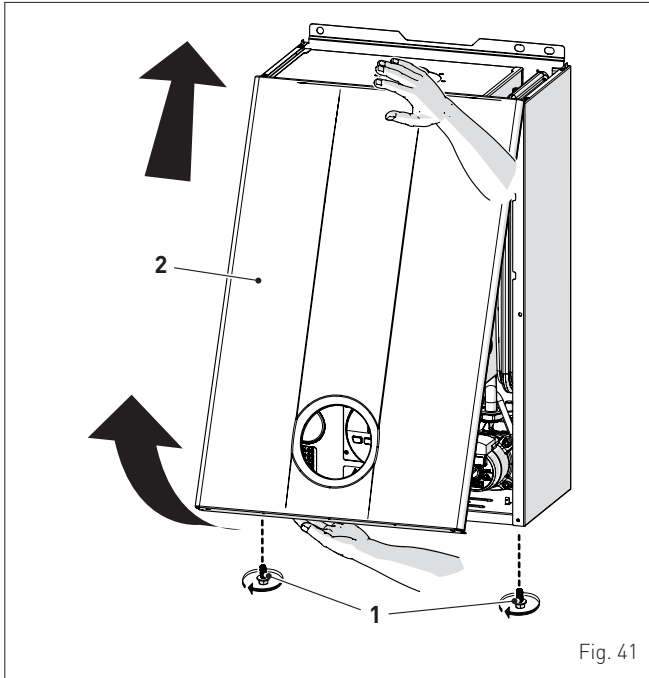


Fig. 41

- remove the screws (3) securing the control panel (4)
- move the panel (4) upwards (a) but keeping it in the side guides (5) to the end of travel
- bring it forwards and down (b) until it is horizontal

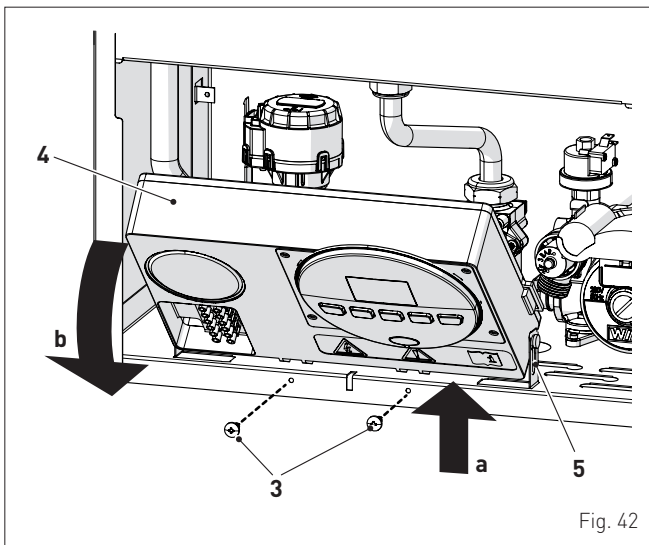


Fig. 42

- close the gas valve
- loosen the "nozzle pressure" point (6) and the screw of the "supply pressure" point (7) and connect each one to a pressure gauge

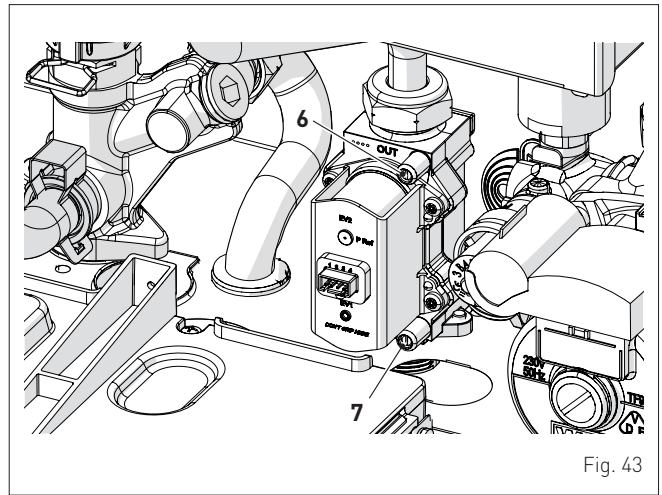


Fig. 43

- open the gas valve
- power the boiler by setting the main switch to "ON"

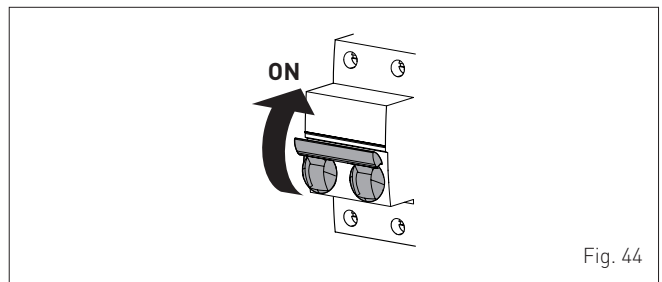
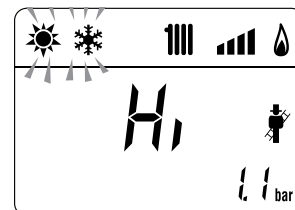
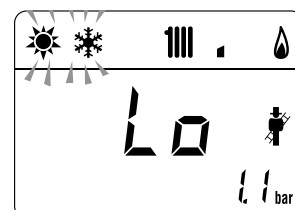


Fig. 44

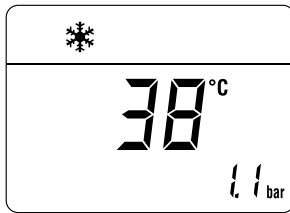
- press the button for at least 1 second until "SUMMER" mode has been selected
- press and hold down the buttons and at the same time for approximately 10 seconds until the message "Hi" appears on the display together with the flashing symbols and



- open one or more than one hot water tap
- press the button to make the boiler operate at maximum power "Hi" and check that the gas pressure values on the pressure gauges correspond to those indicated in the table below
- press the button to make the boiler operate at minimum power "Lo" and check that the gas pressure values on the pressure gauges correspond to those indicated in the table below. The message "Lo" will appear on the display together with the flashing symbols and



- press the button **+** once again to make the boiler operate at maximum power. If the gas pressure values are correct it is possible to determine the combustion data and take a reading of the combustion efficiency as provided for by legislation in force
- press the button **OR** to exit the "Chimney sweeper Procedure". The boiler water delivery temperature will appear on the display



- close the taps opened previously and check that the appliance shuts down
- disconnect the pressure gauges, carefully close the pressure points (6) and (7), put the control panel back to the original position and refit the front panel (2).

Gas supply pressure

Type of gas	G20	G30	G31
Pressure (mbar)	20	28-30	37

Installation with SPLIT PIPE SYSTEM smoke outlet

Model	Heat Output	Pressure at nozzles (mbar)		
		G20	G30	G31
Brava Slim 30 BFT	Max	12,5 - 12,9	27,8 - 28,2	35,8 - 36,2
	min	0,6 - 0,9	2,6 - 2,9	3,4 - 3,7

Installation with CONCENTRIC smoke outlet

Model	Heat Output	Pressure at nozzles (mbar)		
		G20	G30	G31
Brava Slim 30 BFT	Max	12,9 - 13,3	27,8 - 28,2	35,8 - 36,2
	min	1,4 - 1,7	3,8 - 4,1	4,8 - 5,1

If the gas pressure values are different from the values indicated in the table, adjust the gas nozzle pressure as described in the section below.

7.6.2 Adjusting gas pressure at the nozzles



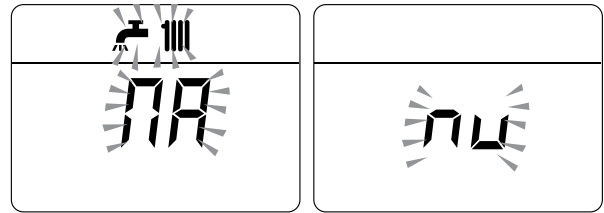
CAUTION

Considering that:

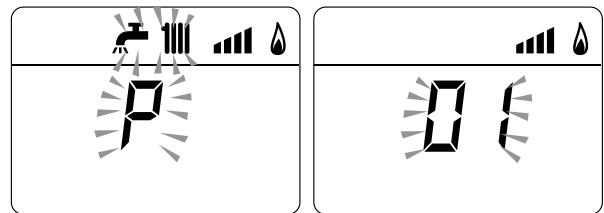
- the front panel (2) has already been removed and the point (6) is connected to the pressure gauge
- the main system switch must be set to "ON"
- the gas supply must be open
- there must be no current requests for heat ["Summer" mode ☀ with hot water valve closed or "Winter" ❄ with air thermostats open]
- **the adjustments described below must be carried out in sequence.**

Adjusting maximum gas pressure:

- press button **+** and set the DOMESTIC HOT WATER SET to maximum using the button **+**
- press and hold down the buttons **+** and **OR** at the same time for approximately 6 seconds until the message "MA" appears on the display alternating with "nu"



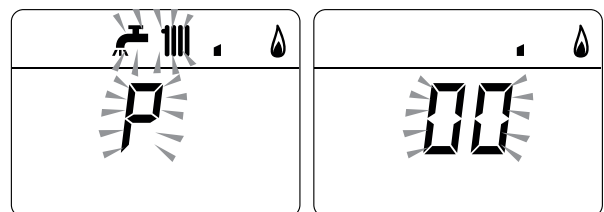
- **open one or more than one hot water tap**
- the boiler will start up and the message "P01" will appear on the display (Adjusting maximum gas pressure)



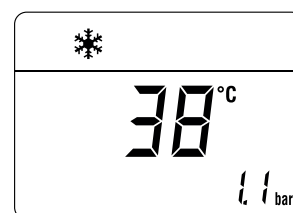
- press the buttons **+** or **-** until the pressure value indicated in the table appears on the pressure gauge
- once the value indicated in the table has been reached, press the button **OR** for approximately 2 seconds to confirm the value which will then flash once.

Adjusting minimum gas pressure:

- press the button **+** twice, the message "P00" will appear on the display



- press the buttons **+** or **-** until the pressure value indicated in the table appears on the pressure gauge
- once the value indicated in the table has been reached, press the button **OR** for approximately 2 seconds to confirm the value which will then flash once.
- press and hold down the buttons **+** and **OR** at the same time for approximately 6 seconds until the water delivery temperature appears on the display and the boiler shuts down/starts up
- close the valves which were opened previously.



7.7 Gas conversion

Brava Slim BFT models can be converted from operation with G20 to operation with G30/G31 by installing the "Nozzle kit for G30/G31 - code 5144713 (for Brava Slim 30 BFT) to be ordered separately from the boiler.



CAUTION

The maintenance interventions described must ONLY be carried out the professionally qualified personnel.



WARNING

Before carrying out any interventions described:

- set the main system switch to "OFF"
- close the gas valve
- make sure that no hot parts inside the appliance are touched.

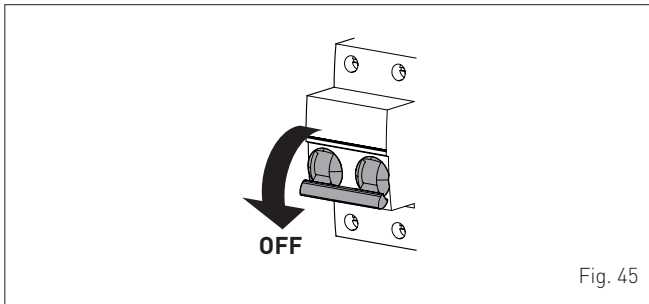


Fig. 45

7.7.1 Preliminary operations

To carry out the conversion:

- remove the screws (1), pull the front panel (2) forwards and release it from the top by lifting it

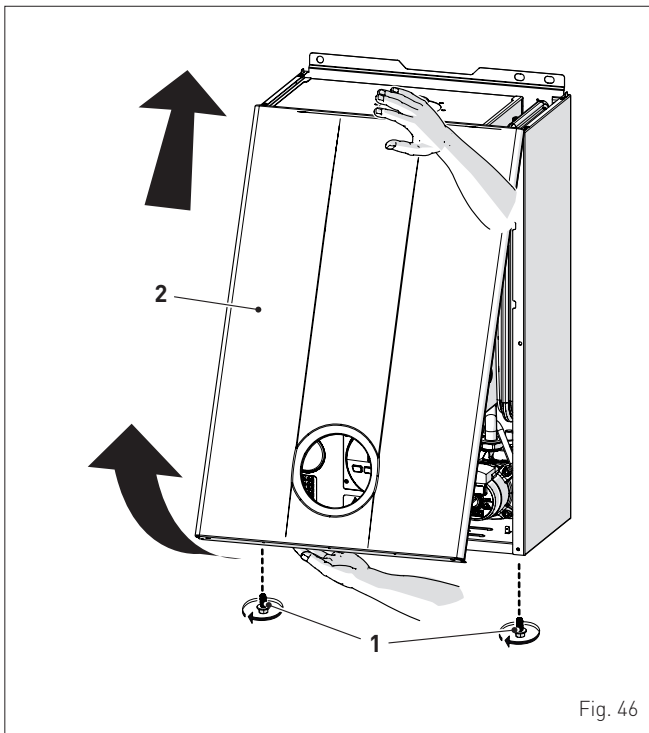


Fig. 46

- remove the four screws (3) and remove the front panel (4) from the sealed chamber

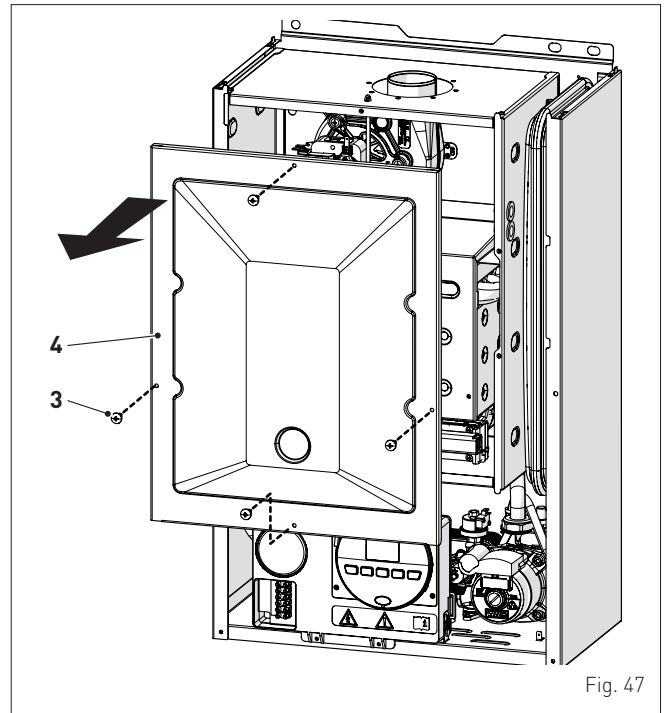


Fig. 47

- remove the four screws (3) and remove the front panel (4) from the combustion chamber (6) working carefully so as not to damage the gasket or the panel insulation

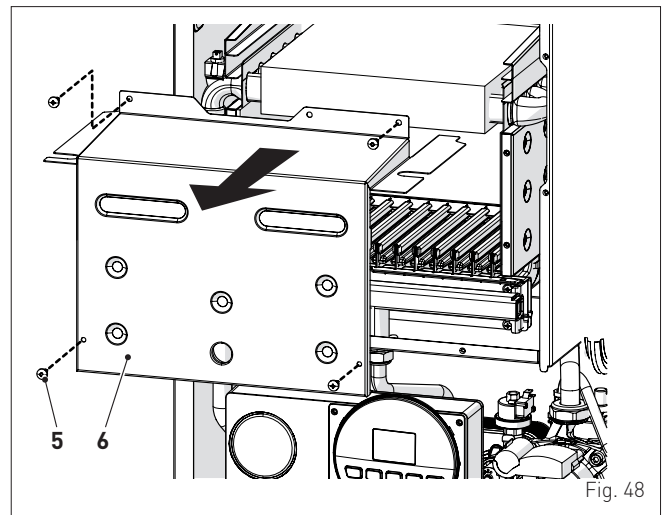


Fig. 48

- remove the screw (7) and extract the electrode (8)
- remove the swivel joint (9) and the counter-nut (10)
- remove the screws (11)
- remove the gas manifold (12), replace the nozzles fitted in the factory with the nozzles supplied with the accessory kit and position the gaskets

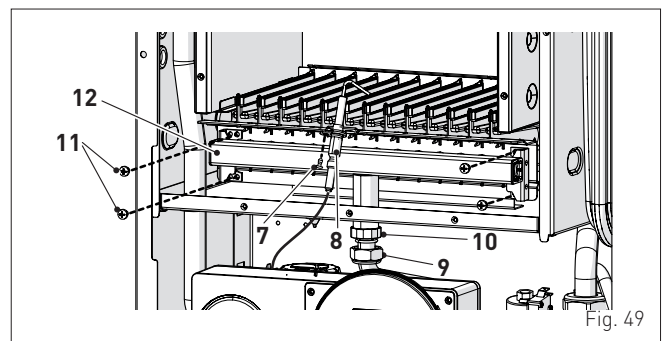


Fig. 49

- refit the gas manifold (12) securing it with the screws (11)

- tighten the counter-nut (10) and the swivel joint (9) and position the gasket
- refit the electrode (8) putting its end **IN THE MIDDLE** of the burner element (*)
- check that the gasket and the insulation of the front panel (6) of the combustion chamber and the gasket (13) of the front panel (4) of the sealed chamber are all integral. If they are not, replace them
- refit the panels (6) and (4) securing them with fastening screws

**CAUTION (*)**

The position of the electrode is essential for the correct detection of current ionization.

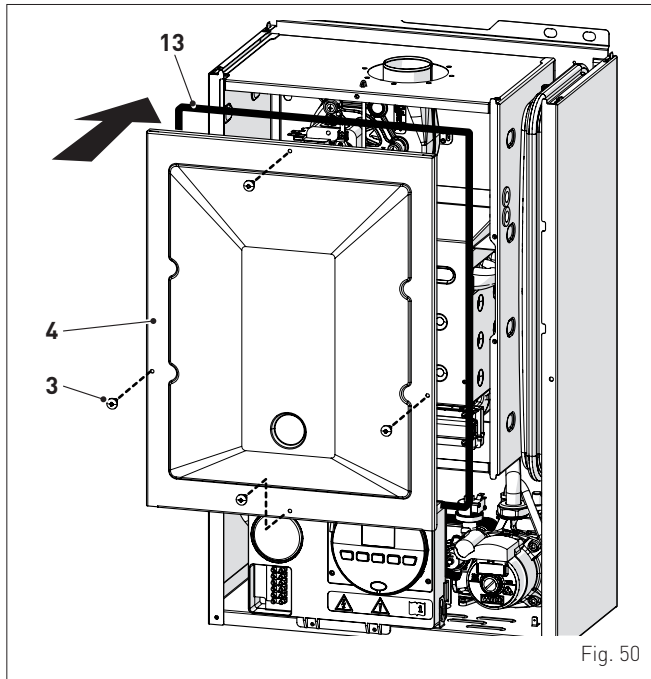


Fig. 50

- apply the label indicating the new gas configuration on the technical plate (14) on the inside of the front panel
- carry out the **"Automatic calibration procedure"** and then refit the front panel (2) securing it with the two screws (1).

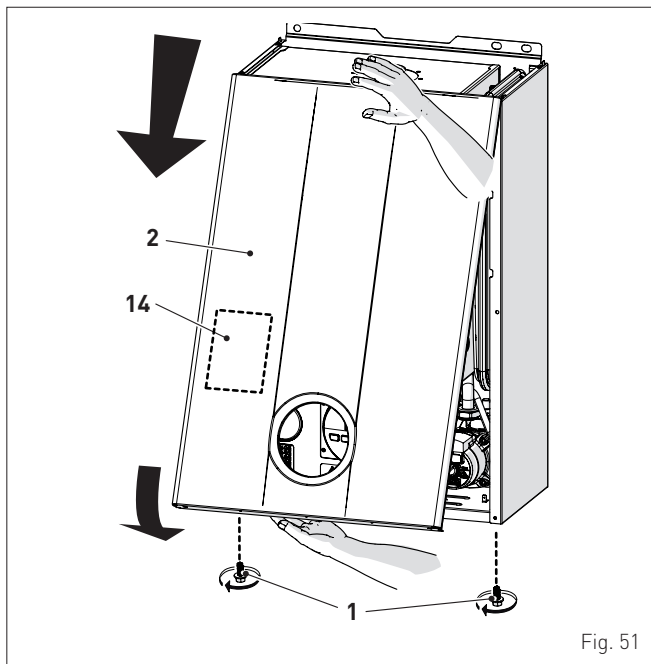


Fig. 51

7.8 Automatic calibration procedure

This procedure **MUST ALWAYS** be performed when the appliance is first turned on, when the gas is changed and after replacing:

- the nozzles for gas conversion
- the gas valve following a fault
- the electronic board following a fault
- electrode
- fan
- burner

and is necessary so that the new components can be identified and can communicate with those already fitted on the boiler.

**CAUTION**

Considering that:

- the front panel has been removed, the control panel has been brought forward and down and that the points (6) and (7) of the gas valve have been connected to the pressure gauges
- the main system switch must be set to "ON"
- the gas supply must be open
- there must be no current requests for heat ("Summer" mode ☀ with hot water valve closed or "Winter" mode ❄ with air thermostats open)
- **the adjustments described below must be carried out in sequence.**

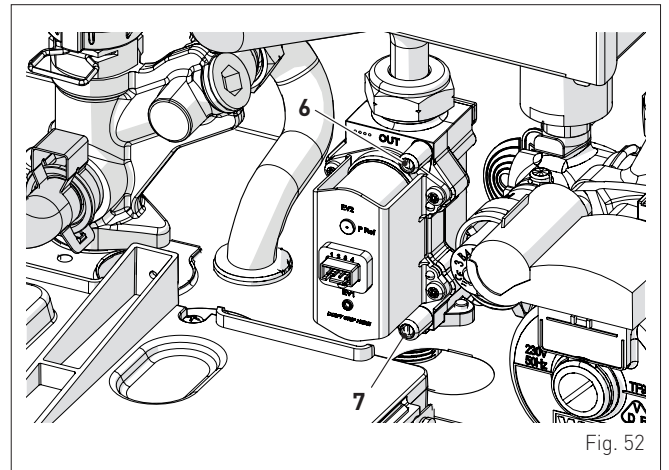

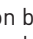
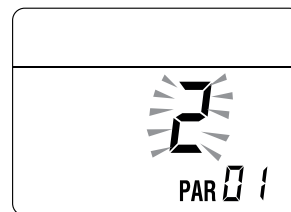

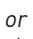




Fig. 52

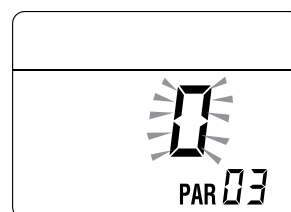
Procedure valid for GAS CONVERSION

- go into the parameter section by pressing the buttons  and  (for approximately 5 seconds) at the same time until "PAR 01" (parameter number) and the value set (0-4) appears on the display

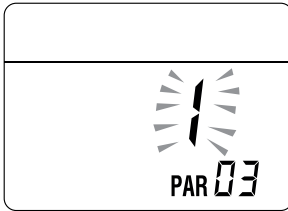


NOTE: holding the buttons  or  increases the speed of the scrolling movement. Pressing the button  allows the user to scroll through the previous parameters.

- keep the button  pressed and scroll through the parameters until reaching parameter "03"

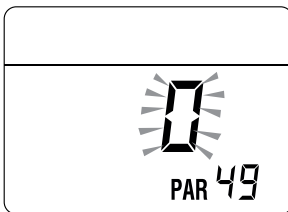


- press the button **+** and select "1" (LPG)



Procedure which MUST be carried out after:

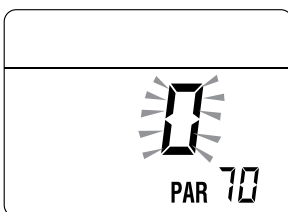
- the nozzles for gas conversion
 - changing the gas valve following a fault
 - changing the the electronic board following a fault
 - electrode
 - fan
 - burner
- go into the parameter section (if not already there) by pressing the buttons **+** and **||||** (for approximately 5 seconds) at the same time until "PAR 01" (parameter number) and the value set (0-4) appears on the display
 - keep the button **||||** pressed and scroll through the parameters until reaching parameter "PAR 49"



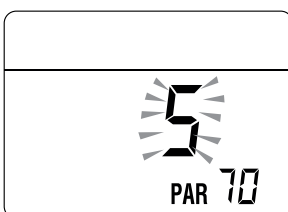
- press and hold the button **+** to set the value at "49"



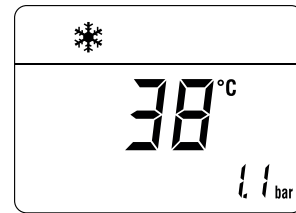
- the modified value will be stored automatically
- keep the button **||||** pressed and scroll through the parameters until reaching parameter "PAR 70"



- press the button **+** to set the value at "5"
- the modified value will be stored automatically



- exit the parameter section by pressing and holding down the buttons **+** and **||||** at the same time (approximately 5 seconds) until the delivery temperature is displayed.

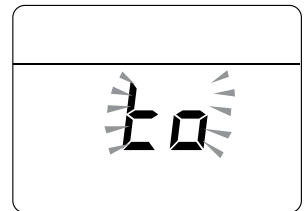
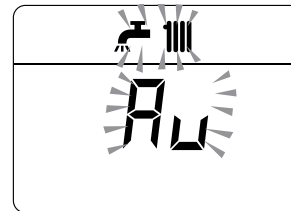


IMPORTANT

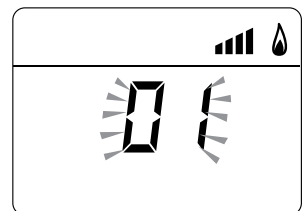
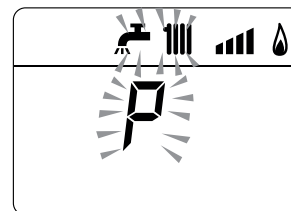
To complete this task the user **MUST** carry out the following procedure.

Adjusting maximum gas pressure:

- press the button **OR** until "SUMMER" mode has been selected
- press button **+** and set the DOMESTIC HOT WATER SET to maximum using the button **+**
- press and hold down the buttons **+** and **OR** at the same time for approximately 6 seconds until the message "Au" appears on the display alternating with "to"



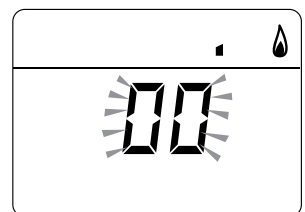
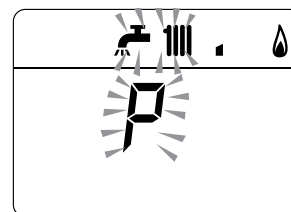
- open one or more than one hot water tap
- the boiler will start up and the message "P01" will appear on the display (Adjusting maximum gas pressure)



- press the buttons **+** or **-** until the pressure value indicated in the table appears on the pressure gauge
- once the value indicated in the table has been reached, press the button **OR** for approximately 2 seconds to confirm the value which will then flash once.

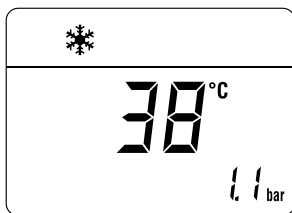
Adjusting minimum gas pressure:

- press the button **+** twice, the message "P00" will appear on the display



- press the buttons **+** or **-** until the pressure value indicated in the table appears on the pressure gauge
- once the value indicated in the table has been reached, press the button **OR** for approximately 2 seconds to confirm the value which will then flash once

- press and hold down the buttons **+** and **OR** at the same time for approximately 6 seconds until the water delivery temperature appears on the display and the boiler shuts down



- close the valves which were opened previously
- disconnect the pressure gauges, carefully close the pressure points (6) and (7), put the control panel back to the original position and refit the front panel.

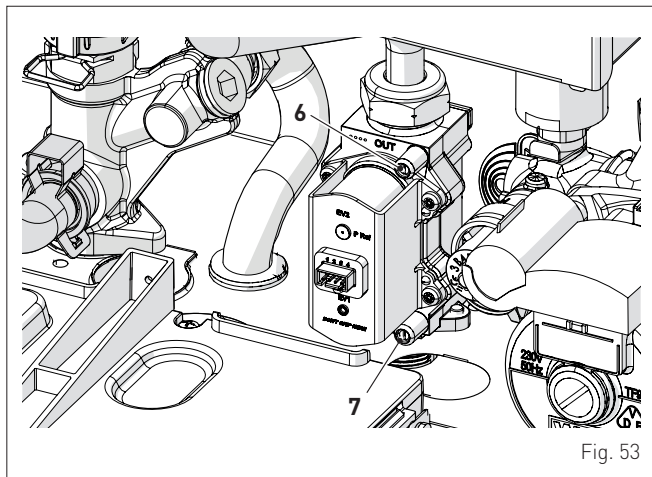



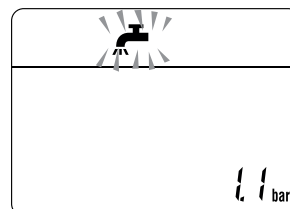
Fig. 53

7.9 Domestic hot water comfort function (preheating)


Brava Slim BFT models have a "domestic hot water comfort" function which ensures the best performance in terms of domestic hot water, reducing the time necessary for the hot water to become available and ensuring that the temperature is stable.

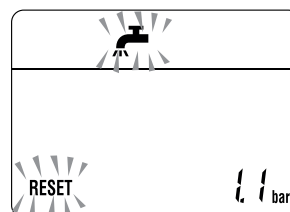
To activate the function:

- select parameter "PAR 22" (see "Parameter setting and display") and set it to a 1
- exit parameter settings and press button **+** for approximately 5 seconds until the symbol  appears on the display and begins to flash indicating that the function has been activated.



To deactivate the function:

- press button **+** again for approximately 5 seconds until the symbols  and **RESET** appear on the display and begin to flash indicating that the function has been deactivated.



Gas supply pressure

Type of gas	G20	G30	G31
Pressure (mbar)	20	28-30	37

Installation with SPLIT PIPE SYSTEM smoke outlet

Model	Heat Output	Pressure at nozzles (mbar)		
		G20	G30	G31
Brava Slim 30 BFT	Max	12,5 - 12,9	27,8 - 28,2	35,8 - 36,2
	min	0,6 - 0,9	2,6 - 2,9	3,4 - 3,7

Installation with CONCENTRIC smoke outlet

Model	Heat Output	Pressure at nozzles (mbar)		
		G20	G30	G31
Brava Slim 30 BFT	Max	12,9 - 13,3	27,8 - 28,2	35,8 - 36,2
	min	1,4 - 1,7	3,8 - 4,1	4,8 - 5,1

8 MAINTENANCE

8.1 Adjustments

For the appliance to operate correctly and efficiently it is recommended that the User calls upon the services of a Professionally Qualified Technician to carry out **ANNUAL** maintenance.



CAUTION

- The maintenance interventions described must **ONLY** be carried out the professionally qualified personnel **who MUST wear** suitable protective safety equipment.
- Make sure that the system components and pipes are not hot (risk of burning).



WARNING

Before carrying out any interventions described:

- set the main system switch to "OFF"
- close the gas valve
- make sure that no hot parts inside the appliance are touched.

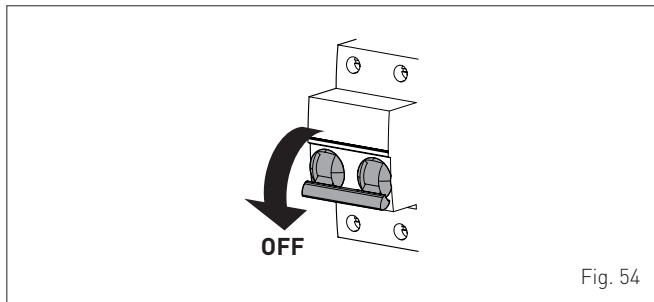


Fig. 54

8.2 External cleaning

8.2.1 Cleaning the cladding

When cleaning the cladding, use a cloth dampened with soap and water or alcohol for stubborn marks.



IT IS FORBIDDEN

to use abrasive products.

8.3 Cleaning the inside of the appliance

8.3.1 Cleaning the heat exchanger

To clean the heat exchanger:

- remove the screws (1), pull the front panel (2) forwards and release it from the top by lifting it

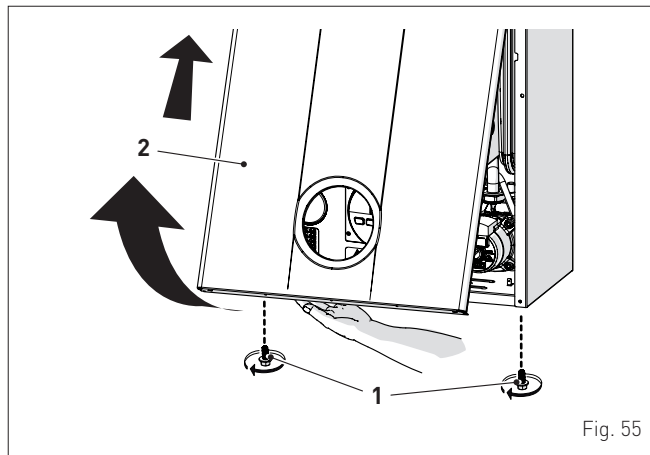


Fig. 55

- remove the four screws (3) and remove the front panel (4) from the sealed chamber

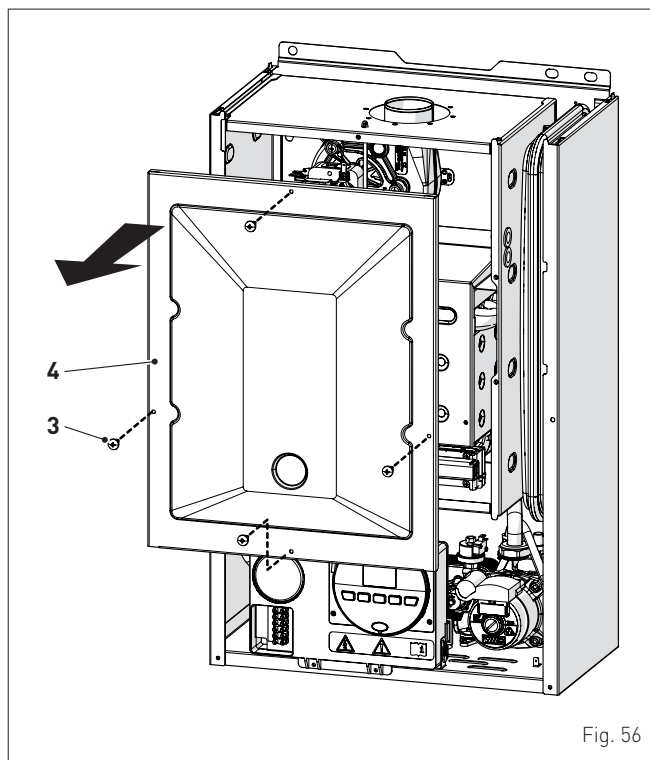


Fig. 56

- remove the four screws (3) and remove the front panel (4) from the combustion chamber (6) working carefully so as not to damage the gasket or the panel insulation

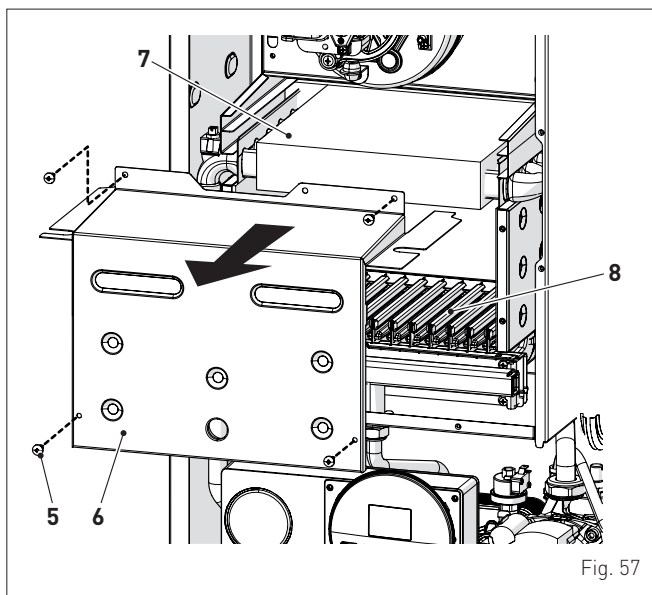


Fig. 57

- if there is any dirt on the heat exchanger (7) fins, protect the burner elements (8) covering them with a sheet of newspaper or a cloth and brush the heat exchanger (7) clean.

8.3.2 Cleaning the burner

The burner does not require any particular maintenance simply dust it with a soft brush.

8.3.3 Checking the ignition/detection electrode

Check the state of the ignition/detection electrode and replace if necessary. Check the measurements as per the drawing whether the ignition/detection electrode is replaced or not.

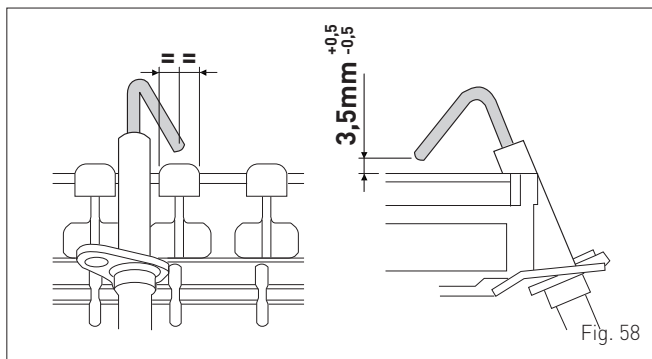


Fig. 58



CAUTION

The position of the electrode is essential for the correct detection of current ionization.

8.3.4 Final operations

After having cleaned the heat exchanger and the burner:

- remove any carbon residue using a vacuum cleaner
- check that the gasket and the insulation of the front panel (6) of the combustion chamber and the gasket (13) of the front panel (4) of the sealed chamber are all integral. If they are not, replace them
- refit the panels (6) and (4) securing them with fastening screws.

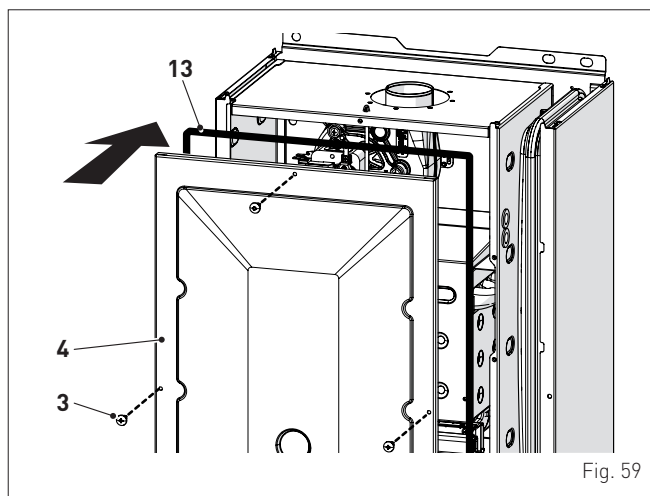


Fig. 59

8.4 Checks

8.4.1 Checking the smoke duct

It is recommended that the user checks that the combustion air inlet duct and smoke outlet duct are integral and airtight.

8.4.2 Checking the expansion vessel pressure

It is recommended that the expansion vessel on the water side is drained and that the prefilling pressure is not less than **1 bar**. If this is not the case, pressurize it to the correct value (see section **Expansion vessel**).

Once the checks described above have been completed:

- refill the boiler as described in section **"REFILL operations"**
- start the boiler up and carry out a smoke analysis and/or measure the combustion efficiency.
- refit the front panel securing it with the two screws which were removed previously

8.5 Unscheduled maintenance

If replacing the **electronic board**, the user **MUST** set the parameters as indicated in the table.

Type	No.	Description	Setting for Brava Slim BFT
			30
PAR	01	Index showing boiler power in kW 1 = 30	1
PAR	02	Hydraulic configuration 0 = rapid 1 = storage tank with thermostat or heating only 2 = hot water tank with sensor 3 = bithermic 4=instant with solar power input	2
PAR	03	Gas Type Configuration 0 = G20; 1 = LPG	0 or 1
PAR	04	Combustion configuration 0 = sealed chamber with combustion control 1 = open chamber with smoke thermostat 2 = Low NOx	0

To enter "**Parameter setting and display**" refer to the indications provided in the specific section.

Once the parameters in the table have been set, you must carry out the "**Automatic calibration procedure**".

If the **gas valve** and/or the **ignition/detection electrode** and/or the **fan** are replaced, the user must still carry out the entire phase of "**Automatic calibration procedure**" described in the specific section.

8.6 Malfunction codes and possible solutions

LIST OF MALFUNCTION/FAULT ALARMS


Type	No.	Fault	Solution
ALL	01	Smoke thermostat	- Contact the Technical Assistance Centre
ALL	02	Low water pressure in system	- Restore pressure - Check for any leaks in the system
ALL	03	High water pressure in system	- Empty the system via the drain valve on the hydraulic assembly and bring the pressure to approximately 1.2 bar
ALL	04	Domestic hot water sensor fault (return sensor fault for T models)	- Check connections - Check the sensor is working
ALL	05	Delivery sensor fault	- Check connections - Check the sensor is working
ALL	06	No flame detection	- Check the integrity of the electrode and check that it is not grounded - Check gas availability and pressure - Check the integrity of the gas valve and the card
ALL	07	Sensor or safety thermostat intervenes	- Check the sensor or thermostat connections - Deaerate the system - Check the bleed valve - Replace the sensor or the thermostat - Check that the pump impeller is not blocked

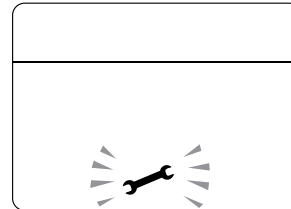
Type	No.	Fault	Solution
ALL	08	Fault in the flame detection circuit	- Check the integrity of the electrode and check that it is not grounded - Check the integrity of the gas valve and the card
ALL	09	No water circulating in the system	- Check the rotation of the pump rotor - Check the electrical connections - Replace the pump
ALL	10	Auxiliary sensor fault	- Check PAR 02 "hydraulic configuration" - Check the electrical connection
ALL	11	Gas valve modulator disconnected	- Check the electrical connection
ALL	12	Domestic hot water sensor fault in tank mode	- Set the parameter PAR 04 (Combustion configuration) to 0
ALL	13	Smoke probe intervention	- Check the sensor is working - Replace the smoke probe
ALL	14	Smoke probe fault	- Replace the smoke probe - Check the electrical connection of the smoke probe - Contact the Technical Assistance Centre
ALL	15	Fan check cable disconnected	- Check the connection cable between the fan and the board
ALL	18	Condensate level fault	- Check for any clogging in the pipe which takes the condensate to the siphon - Check that the siphon is not clogged
ALL	28	Maximum number of consecutive resets reached	- Wait 1 hour and try unblocking the board again - Contact the Technical Assistance Centre
ALL	30	Return sensor fault (boiler sensor fault for T models)	- Replace the return probe - Check parameters - Contact the Technical Assistance Centre
ALL	37	Fault due to low network voltage	- Check the voltage - Contact your network provider
ALL	40	Incorrect network frequency detected	- Contact your network provider
ALL	41	Flame loss more than 6 consecutive times	- Check the ignition/detection electrode - Check the gas supply (open valve) - Check mains gas pressure
ALL	42	Button fault	- Check that buttons are working
ALL	43	Open Therm communication fault	- Check the OT electric connection
ALL	44	Gas valve timeout fault without flame	- Check gas valve and board
ALL	56	Lock for ΔT delivery/return over max limit (open vent)	- Contact the Technical Assistance Centre
ALL	57	Lock for flow temperature (FT) check (open vent)	- Contact the Technical Assistance Centre
ALL	62	Self-calibrating procedure is required	- Carry out the self-calibrating procedure (see the specific section)
ALL	72	Incorrect positioning of the delivery sensor	- Check delivery sensor operation and position
ALL	74	Second delivery sensor fault	- Check second delivery sensor operation and position

Type	No.	Fault	Solution
ALL	77	EV2 SGV current max/min absolute limits error	- Check gas valve and board
ALL	78	EV2 SGV current upper limit error	- Check gas valve and board
ALL	79	EV2 SGV current lower limit error	- Check gas valve and board
ALL	80	Fault on the valve control logic line/valve cable damaged	- Check gas valve and board
ALL	81	Block due to combustion during start-up	- Check for blockage in chimney - Check air diaphragm (for BF models) - Check gas calibration - Bleed the air from the gas circuit
ALL	82	Block due to numerous combustion control failures	- Check electrode - Check outlets - Check air diaphragm (for BF models) - Check gas calibration
ALL	83	Irregular combustion (temporary error)	- Check for blockage in chimney - Check air diaphragm (for BF models) - Check gas calibration
ALL	84	Flow rate reduced for (presumed) low pressure on mains gas	- Check gas flow rate
ALL	88	Internal error (board component protection)	- Check the board is working - Replace board
ALL	89	Unstable combustion feedback signal error	- Check electrode - Check outlets - Check air diaphragm (for BF models) - Check gas calibration
ALL	90	Combustion set cannot be reached error	- Check electrode - Check outlets - Check air diaphragm (for BF models) - Check gas calibration
ALL	92	System has reached maximum air correction error (at the minimum flow rate)	- Check electrode - Check outlets - Check air diaphragm (for BF models) - Check gas calibration
ALL	93	Combustion set cannot be reached error	- Check electrode - Check outlets - Check air diaphragm (for BF models) - Check gas calibration
ALL	95	Flame signal micro interruptions error	- Check electrode - Check board - Check electric power supply - Check gas calibration
ALL	96	Block due to clogging in smoke outlet	- Check for blockage in chimney - Check the smoke outlet and electrode position (not touching the burner)
ALL	98	SW error, board start-up	- Contact the Technical Assistance Centre

Type	No.	Fault	Solution
ALL	99	General board error	- Contact the Technical Assistance Centre
-	-	Frequent relief valve intervention	- Check circuit pressure - Check expansion vessel
-	-	Limited production of domestic hot water	- Check the diverter valve - Check that plate heat exchanger is clean - Check domestic hot water circuit valve

8.6.1 Maintenance request

When it is time to perform maintenance on the boiler, the  symbol shows on the display.



Contact the technical assistance service to organise the necessary work.

АССОРТИМЕНТ

МОДЕЛЬ	КОД
Brava Slim 30 BFT	8112545

СООТВЕТСТВИЕ ЕВРОПЕЙСКИМ НОРМАТИВАМ

Наша компания заявляет, что котлы **Brava Slim BFT** соответствуют основным требованиям следующих директив:

- Регламент (ЕС) 2016/426
- Директивы 92/42/СЕЕ о КПД
- Директива 2014/35/UE о низком напряжении
- Директива 2014/30/UE об электромагнитной совместимости

ПРЕДУПРЕЖДАЮЩИЕ ЗНАКИ



ВНИМАНИЕ

Этим знаком обозначаются действия, неправильное выполнение которых может привести к травмам и стать причиной отказа компонентов котла или повреждения его материалов. Их выполнение требует предельной осторожности и соответствующей подготовки.



ОПАСНОСТЬ, СВЯЗАННАЯ С ЭЛЕКТРИЧЕСТВОМ

Этим знаком обозначаются действия, неправильное выполнение которых может стать причиной поражения электрическим током. Их выполнение требует предельной осторожности и соответствующей подготовки.



ЗАПРЕЩЕНО

Этим знаком обозначаются ЗАПРЕЩЕННЫЕ ДЕЙСТВИЯ.



ПРЕДУПРЕЖДЕНИЕ!

Полезная и важная информация.

СТРУКТУРА РУКОВОДСТВА

Руководство составлено в соответствии с приведенной далее структурой.

ИНСТРУКЦИИ ПО ЭКСПЛУАТАЦИИ

ОГЛАВЛЕНИЕ	47
------------	----

ОПИСАНИЕ АППАРАТА

ОГЛАВЛЕНИЕ	53
------------	----

ИНСТРУКЦИИ ПО УСТАНОВКЕ И ТЕХОБСЛУЖИВАНИЮ

ОГЛАВЛЕНИЕ	61
------------	----

ПРЕДУПРЕЖДЕНИЯ И ПРАВИЛА ТЕХНИКИ БЕЗОПАСНОСТИ**ВНИМАНИЕ!**

- Сняв упаковку, немедленно удостоверьтесь в целостности и комплектности поставки. В случае обнаружения повреждений или несоответствий обратитесь к Продавцу оборудования.
- Аппарат должен использоваться исключительно по назначению. Компания **Sime** не несет ответственности за ущерб, причиненный людям, животным или предметам вследствие неправильного монтажа, регулировки, технического обслуживания или использования оборудования не по назначению.
- При обнаружении утечек воды отключите аппарат от сетевого электропитания, перекройте водоснабжение и в обязательном порядке вызовите квалифицированных специалистов.
- Периодически проверяйте рабочее давление в остывшей системе. Оно должно составлять **1-1,2 бар**. В противоположном случае добавьте воды в систему и вызовите квалифицированного специалиста.
- При планируемом длительном простое оборудования выполните следующие действия:
 - установите *главный выключатель системы в положение "OFF" (выкл.);*
 - *перекройте газовые и водопроводные краны.*
- Для обеспечения исправности и оптимальной производительности оборудования **Sime** мы рекомендуем **ЕЖЕГОДНО** производить технический осмотр и обслуживание котла.

**ВНИМАНИЕ!**

- **Мы настоятельно рекомендуем всем операторам** внимательно прочесть настоящее руководство для того, чтобы использовать котел правильно и в условиях полной безопасности.
- **Настоящее руководство** является неотъемлемой частью оборудования. Его необходимо бережно хранить для любых последующих консультаций. В случае передачи котла другому пользователю данное руководство необходимо предоставить вместе с аппаратом.
- **Монтаж и техническое обслуживание** аппарата могут быть доверены только авторизованному установщику или квалифицированному персоналу, который обязан действовать согласно инструкциям, изложенным в настоящем руководстве, и по завершении работ выдать декларацию о соответствии техническим стандартам и нормативным требованиям, действующим в месте установки.

ЗАПРЕТЫ



ЗАПРЕЩЕНО

- Использование устройства детьми возрастом менее 8 лет. Устройство может использоваться детьми возрастом не менее 8 лет, а также лицами со сниженными физическими, чувствительными или умственными способностями, не обладающими необходимыми навыками или знаниями, под присмотром, или после получения ими инструкций относительно безопасного использования устройства и осознания связанных с ним опасностей.
- Игра детей с устройством.
- Выполнение операций по очистке и уходу, которые должны осуществляться пользователем, детьми без присмотра.
- Запрещено включать электрические приборы или устройства, такие как выключатели, бытовые приборы и т.п. при ощущении запаха газа или гари. В этом случае:
 - *тщательно проветрите помещение, открыв двери и окна;*
 - *перекройте отсечной кран на подаче газа;*
 - *в срочном порядке вызовите квалифицированных специалистов.*
- Запрещено прикасаться к аппарату без обуви или мокрыми частями тела.
- Запрещено выполнять какие бы то ни было работы на котле, не установив главный выключатель системы в положение "OFF" (выкл.) и не перекрыв газ.
- Запрещено вносить изменения в конструкцию устройств безопасности и регулировки без соответствующего разрешения и инструкций производителя котла.



ЗАПРЕЩЕНО

- Запрещено устанавливать заглушки в конденсатоотводчик (если таковой имеется).
- Запрещено тянуть, выдергивать и скручивать электрические провода, выходящие из аппарата, даже если последний отключен от сети электропитания.
- Устанавливать котел в местах, не защищенных от атмосферных воздействий. Котлы также могут функционировать и в частично защищённых местах, в соответствии с EN 15502, с температурой окружающей среды не более 60 °С и не менее - 5 °С. Рекомендуется устанавливать котлы под скатом крыши, на балконе или в защищённой нише, однако, в любом случае, они не должны подвергаться прямому воздействию атмосферных явлений (дождь, град, снег). В стандартном исполнении котлы оснащены функцией для предотвращения замерзания.
- Запрещено закрывать, даже частично, воздухозаборники вытяжной вентиляции в помещении, где установлен котел.
- Запрещено обесточивать аппарат и перекрывать подачу газа при опускании наружной температуры ниже НУЛЯ (опасность замерзания).
- Запрещено хранить и оставлять воспламеняющиеся вещества в помещении, где установлен котел.
- Запрещено выбрасывать в окружающую среду упаковочные материалы в виду их потенциальной опасности. Их необходимо утилизировать в соответствии с требованиями действующего законодательства.

ИНСТРУКЦИИ ПО ЭКСПЛУАТАЦИИ

ОГЛАВЛЕНИЕ

1	УПРАВЛЕНИЕ КОТЛОМBRAVA SLIM BFT	48	2	ВЫКЛЮЧЕНИЕ	50
1.1	Панель управления	48	2.1	Временное выключение	50
1.2	Предварительные проверки	49	2.2	Выключение на длительное время	51
1.3	Включение	49	3	ТЕХНИЧЕСКОЕ ОБСЛУЖИВАНИЕ	51
1.4	Регулировка температуры системы отопления	49	3.1	Уход	51
1.5	Регулирование температуры ГВС	49	3.2	Наружная чистка	51
1.6	Коды неисправностей / поломок	50	3.2.1	Чистка панелей корпуса	51
1.6.1	Запрос техобслуживания	50	4	ВЫБРОС	51
			4.1	Утилизация прибора (Европейская директива 2012/19/UE)	51

1 УПРАВЛЕНИЕ КОТЛОМ BRAVA SLIM BFT

1.1 Панель управления

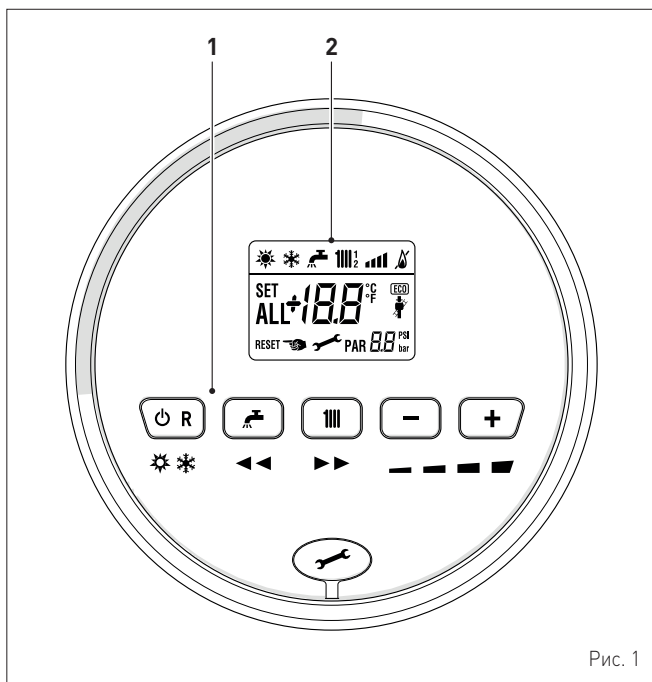


Рис. 1

1 КНОПКИ УПРАВЛЕНИЯ

OR Нажав один или несколько раз и удерживая данную кнопку в течение 1 секунды во время нормальной работы, можно переключать рабочие режимы котла ("Режим ожидания" – "Лето" – "Зима"). Если котел находится в режиме сбрасываемой неисправности, это позволяет произвести разблокировку.

FAUCET При нормальном функционировании, нажатие кнопки позволяет отобразить установленное значение температуры воды для ГВС, изменяемое от 10 до 60°C. При "настройке параметров", нажатие кнопки позволяет пролистать указатель параметров (в сторону уменьшения).

|||| При нормальном функционировании, нажатие кнопки позволяет отобразить установленное значение температуры воды для системы отопления, изменяемое от 20 до 80°C. При "настройке параметров", нажатие кнопки позволяет пролистать указатель параметров (в сторону увеличения).

- При нормальном функционировании нажатие кнопки позволяет уменьшить установленное значение температуры воды для системы отопления или ГВС, в зависимости от сделанного ранее выбора. При наличии дистанционного управления (Open Therm), после выбора кнопки системы отопления, нажатие кнопки (-) позволяет изменять, в сторону уменьшения, крутизну климатической кривой. На странице "Отображение и настройка параметров", нажатие кнопки позволяет изменять настройку или значение параметра (в сторону уменьшения).

+ При нормальном функционировании нажатие кнопки позволяет увеличить установленное значение температуры воды для системы отопления или ГВС, в зависимости от сделанного ранее выбора. При наличии дистанционного управления (Open Therm), после выбора кнопки системы отопления, нажатие кнопки (+) позволяет изменять, в сторону увеличения, крутизну климатической кривой. На странице "Отображение и настройка параметров", нажатие кнопки позволяет изменять настройку или значение параметра (в сторону увеличения).

WRENCH Заглушка разъема для программирования.

ПРИМЕЧАНИЕ: нажав и удерживая любую кнопку в течение 30 секунд можно вывести на дисплей сообщение о неисправности, не прерывая работы котла. Аварийный сигнал исчезает после восстановления нормальных рабочих условий.

2 ДИСПЛЕЙ



"ЛЕТО". Символ отображается при переключении в рабочий режим "Лето" или при переключении котла в режим только ГВС с помощью пульта дистанционного управления, если он подключен. Мигающие символы ☀️ и ❄️ сигнализируют о включении функции "Трубочист".



"ЗИМА". Символ отображается при переключении в рабочий режим "Зима" или при переключении котла в режим ГВС + отопление с помощью пульта дистанционного управления, если он подключен. Если при подключенном дистанционном управлении не выбран ни один режим работы, то оба символа ☀️ и ❄️ остаются выключенными.



"СБРОС" Надпись указывает, что после ремонта, нормальное функционирование котла может быть восстановлено путем нажатия кнопки OR.



"ГВС" Символ присутствует при запросе ГВС или в ходе функции "Трубочист". Мигает в ходе выбора установленного значения температуры воды для ГВС.



"ОТОПЛЕНИЕ" Символ присутствует при работе функции системы отопления или в ходе функции "Трубочист". Мигает в ходе выбора установленного значения температуры воды системы отопления.



БЛОКИРОВКА ИЗ-ЗА ОТСУТСТВИЯ ПЛАМЕНИ.



"НАЛИЧИЕ ПЛАМЕНИ".



"УРОВЕНЬ МОЩНОСТИ". Указывает уровень мощности, при котором работает котел.



"ПАРАМЕТР". Указывает, что может отображать/устанавливать параметры, или отображать "инфо", или "счетчики", или "сработанные аварийные сигналы" (архив).



"АВАРИЙНЫЙ СИГНАЛ". Указывает на выявление неисправности. Номер указывает на соответствующую причину.



"ТРУБОЧИСТ". Указывает на активацию функции "трубочист".



"ЕСО", ПРИСУТСТВИЕ ДОПОЛНИТЕЛЬНЫХ ИСТОЧНИКОВ. Активация обозначает присутствие солнечной установки.



"ЗАПРОС ТЕХОБСЛУЖИВАНИЯ". При активации, указывает на достижение периода времени, когда необходимо осуществлять техобслуживание котла.

1.2 Предварительные проверки



ВНИМАНИЕ

- При возникновении необходимости в доступе к зонам, расположенным в нижней части прибора, следует убедиться, что температура компонентов или труб системы не является высокой (опасность ожогов).
- Перед началом работ по доливке системы отопления надеть защитные перчатки.

Первый запуск котла **Brava Slim BFT** должен быть произведен квалифицированным специалистом. После этого котел может работать автоматически. Тем не менее, у пользователя может возникнуть необходимость самостоятельно запустить котел, не обращаясь к доверенному специалисту, например, по возвращении из отпуска.

В первую очередь, убедитесь, что отсечные краны на подаче топлива и в водопроводной системе открыты.

1.3 Включение

Завершив подготовительные работы, прежде чем запустить котел:

- расположите главный выключатель системы в положение "ON" (включено) для возможности визуализации на дисплее давления установки в ходе заполнения
- **убедитесь, что режим функционирования установлен в положение "Stand-by"**; в противном случае, нажмите кнопку **OR** до выбора соответствующего режима

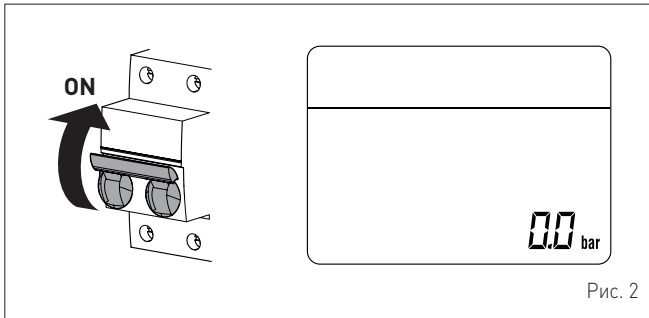


Рис. 2

- проверьте на дисплее (1), что значение давления в системе отопления, в холодном режиме, составляет **1-1,2 бар**. В противном случае, откройте кран наполнения, который должен быть предусмотрен на возврате установки, и добавляйте воду в систему отопления, пока на дисплее (1) не установится значение **1-1,2 бар**
- закрыть кран наполнения

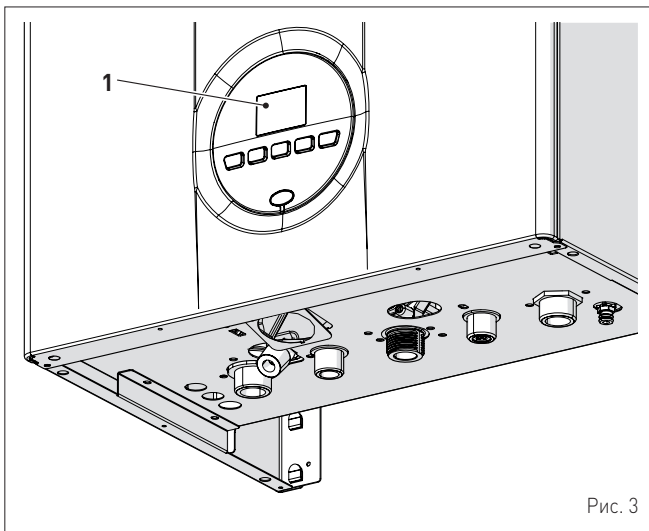
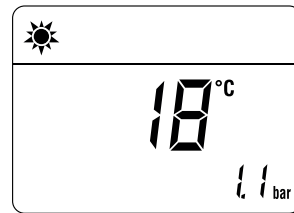


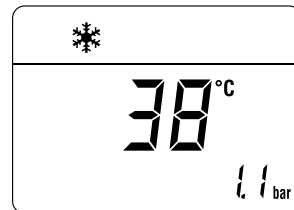
Рис. 3

- выберите режим функционирования "ЛЕТО" , нажимая, по меньшей мере, в течение 1 секунды кнопку **OR**. На дисплее отобразится текущее значение температуры, измеренное датчиком на нагнетании



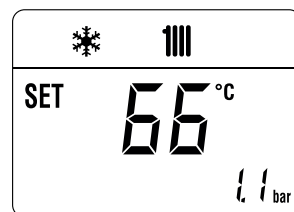
- откройте один или несколько кранов горячей воды. Котел будет работать на максимальной мощности до тех пор, пока краны не будут закрыты.

Запустив котел в режиме "ЛЕТО" , с помощью кнопки **OR**, которую необходимо нажать и удерживать не менее 1 секунды, можно выбрать режим "ЗИМА" . На дисплее отобразится текущее значение температуры воды на нагнетании. В этом случае в комнатном/ных термостате/ах необходимо установить желаемую температуру, а при наличии в системе программируемого термостата проверить, включен ли он, и отрегулировать его необходимым образом.



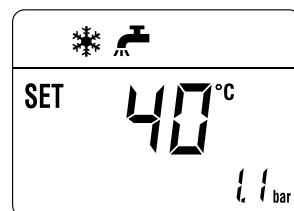
1.4 Регулировка температуры системы отопления

Для увеличения или уменьшения температуры системы отопления, нажмите кнопку , а затем кнопки **+** или **-** до достижения желаемого значения. Диапазон регулирования температуры — от 20 до 80°C.



1.5 Регулирование температуры ГВС

Для увеличения или уменьшения температуры воды ГВС, нажмите кнопку , а затем кнопки **+** или **-** до достижения желаемого значения. Диапазон регулирования температуры — от 10 до 60°C.



1.6 Коды неисправностей / поломок

При обнаружении неисправностей/поломок во время работы котла на дисплее будут отображены надпись "ALL" и код неисправности.

В случае аварийного сигнала "02" (Низкое давление воды в системе):

- проверьте на дисплее (1), что значение давления в системе отопления, в холодном режиме, составляет **1-1,2 бар**. В противном случае, откройте кран наполнения, который должен быть предусмотрен на возврате установки, и добавляйте воду в систему отопления, пока на дисплее (1) не установится значение **1-1,2 бар**
- закрыть кран наполнения

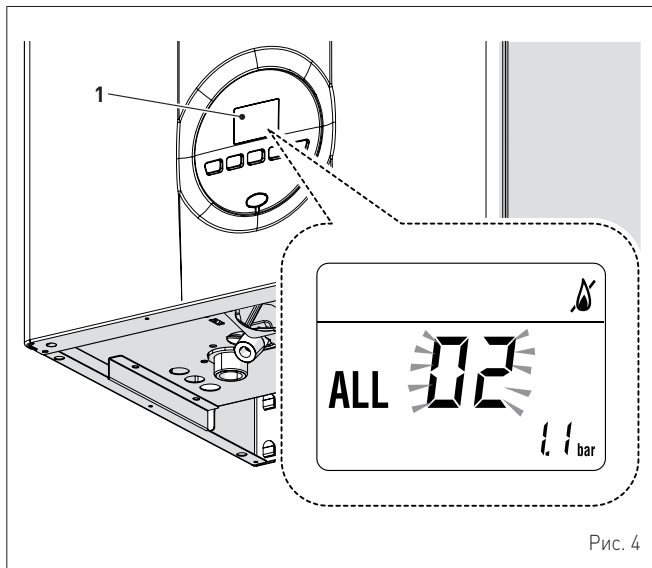
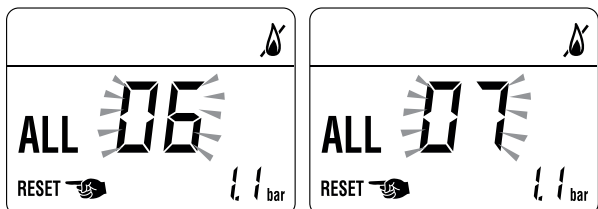


Рис. 4

В случае аварийного сигнала "06" (Пламя не обнаружено) и "07" (Срабатывание предохранительного термостата):

- нажмите и удерживайте более 3 сек кнопку , чтобы восстановить нормальные условия работы.



Если неисправность не устраняется, попытайтесь произвести сброс **ЕЩЕ ОДИН РАЗ**, после чего:

- тщательно закройте отсечной топливный кран
- установите главный выключатель системы в положение "OFF" (выкл.)
- вызовите Уполномоченный технический персонал.

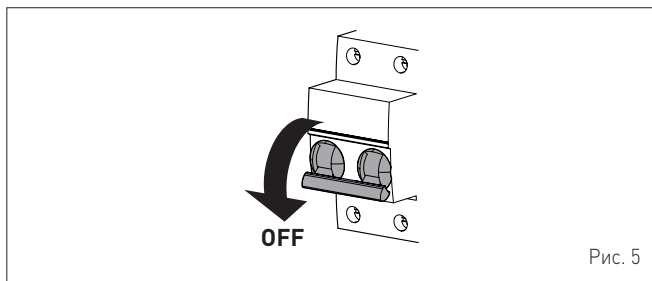


Рис. 5

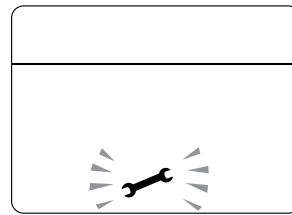


ПРЕДУПРЕЖДЕНИЕ!

В случае срабатывания аварийного сигнала, описание которого отсутствует, следует связаться с авторизованным техническим персоналом.

1.6.1 Запрос техобслуживания

При достижении периода времени необходимости осуществления техобслуживания котла, на дисплее появляется символ

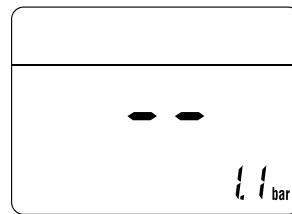


Свяжитесь с Технической Службой для программирования необходимых работ.

2 ВЫКЛЮЧЕНИЕ

2.1 Временное выключение

При необходимости временно прервать работу котла нажмите и удерживайте не менее 1 секунды кнопку , один раз в режиме "ЗИМА" или два раза в режиме "ЛЕТО" . На дисплее отобразится "- -".



ОПАСНОСТЬ, СВЯЗАННАЯ С ЭЛЕКТРИЧЕСТВОМ

Электрическое питание котла остается включенным.

В случае временных отлучек, на выходные или на время коротких путешествий, при наружной температуре выше НУЛЯ:

- нажмите кнопку , один раз в режиме "ЗИМА" или два раза в режиме "ЛЕТО" , чтобы перевести котел в режим ожидания
- установите главный выключатель системы в положение "OFF" (выкл.)
- закройте газовый кран.

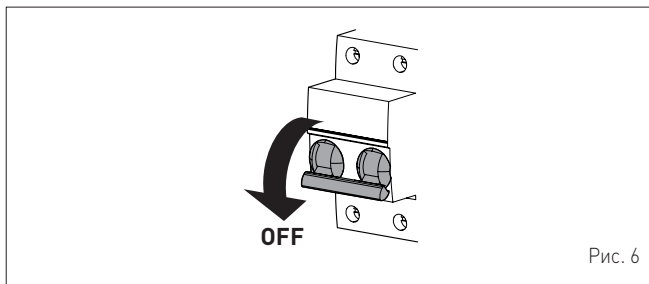


Рис. 6






ПРЕДУПРЕЖДЕНИЕ!

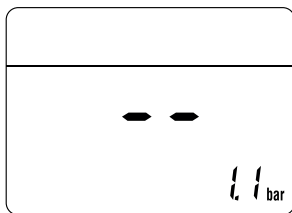
Котел оснащен функцией защиты от замерзания, поэтому при вероятности того, что наружная температура будет опускаться ниже НУЛЯ:

- **ОБЯЗАТЕЛЬНО ПЕРЕВЕДИТЕ КОТЕЛ В РЕЖИМ ОЖИДАНИЯ**
- оставьте главный выключатель системы в положении "ON" (электрическое питание котла включено)
- оставьте открытым газовый кран.

2.2 Выключение на длительное время

При планируемом неиспользовании котла в течение длительного времени выполните следующие действия:

- нажмите и удерживайте не менее 1 секунды кнопку  R, один раз в режиме "ЗИМА"  или два раза в режиме "ЛЕТО" , чтобы перевести котел в режим ожидания. На дисплее отобразится "--"



- установите главный выключатель системы в положение "OFF" (выкл.)

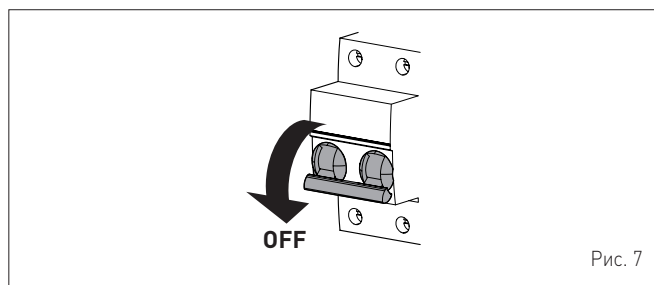


Рис. 7

- закройте газовый кран
- закройте отсечные краны в системах отопления и ГВС
- опорожните системы отопления и ГВС, если существует вероятность замерзания.



ПРЕДУПРЕЖДЕНИЕ!

Вызовите Уполномоченный технический персонал, если процедуру не удастся выполнить.

3 ТЕХНИЧЕСКОЕ ОБСЛУЖИВАНИЕ

3.1 Уход

Для обеспечения эффективной и исправной работы котла рекомендуется заключить договор на **ЕЖЕГОДНОЕ** техническое обслуживание с квалифицированным специалистом.



ПРЕДУПРЕЖДЕНИЕ!

Работы по техническому обслуживанию должны быть выполнены **ТОЛЬКО** квалифицированным персоналом, действующим в соответствии с **ИНСТРУКЦИЕЙ ПО МОНТАЖУ И ТЕХНИЧЕСКОМУ ОБСЛУЖИВАНИЮ**.

3.2 Наружная чистка



ВНИМАНИЕ

- При возникновении необходимости в доступе к зонам, расположенным в нижней части прибора, следует убедиться, что температура компонентов или труб системы не является высокой (опасность ожогов).
- Перед началом работ по техобслуживанию надеть защитные перчатки.

3.2.1 Чистка панелей корпуса

Для чистки панелей корпуса используйте смоченную в мыльном растворе ткань. Для устранения стойких пятен можно использовать раствор воды со спиртом.



ЗАПРЕЩЕНО

использовать абразивные вещества.

4 ВЫБРОС

4.1 Утилизация прибора (Европейская директива 2012/19/UE)



Котлы, а также электрические и электронные приборы, по окончании срока их эксплуатации в быту, не должны утилизироваться с обычными смешанными бытовыми отходами. Необходимо обеспечить их передачу в соответствии с законом, на основании директив 2012/19/ЕС и Законодательного декрета 49/2014, специальным организациям по сбору и утилизации. Для получения дополнительной информации об авторизованных центрах сбора обращайтесь в местные органы власти или к розничному торговцу. Каждая страна может также принимать специальные правила по обработке электрических и электронных отходов. Перед сдачей прибора ознакомьтесь с правилами, действующими в вашей стране



ЗАПРЕЩАЕТСЯ

утилизировать изделие вместе с бытовыми отходами.

ОПИСАНИЕ АППАРАТА

ОГЛАВЛЕНИЕ

5	ОПИСАНИЕ АППАРАТА	54	5.6	Принципиальная гидравлическая схема	57
5.1	Основные характеристики	54	5.7	Датчики	57
5.2	Устройства контроля и безопасности	54	5.8	Расширительный бак	57
5.3	Идентификация товара	54	5.9	Циркуляционный насос	58
5.4	Конструкция	55	5.10	Панель управления	59
5.5	Технические характеристики	56	5.11	Электрическая схема	60

5 ОПИСАНИЕ АППАРАТА

5.1 Основные характеристики

Brava Slim BFT - это настенные низкотемпературные котлы последнего поколения, которые **Sime** производит для систем отопления и горячего водоснабжения, при совмещении с накопительным водонагревателем. Основными проектными решениями компании **Sime** для котлов **Brava Slim BFT** являются следующие:

- атмосферная горелка с теплообменником из меди для контура отопления
- герметичная камера сгорания, соответствующая типу "С" или "В" в зависимости от помещения, в котором установлен котел, и конфигурации системы отвода газовых дымов и забора воздуха горения, предусмотренной при монтаже;
- микропроцессорная плата управления и контроля, которая не только эффективно управляет отоплением и ГВС, но и обеспечивает возможность подключения к котлу комнатных термостатов, пульта дистанционного управления через протокол Open Therm, вспомогательного датчика для подключения солнечных батарей и датчика наружной температуры. В случае подключения к котлу наружного датчика температура в котле изменяется в зависимости от наружной температуры в соответствии с заданной климатической кривой, обеспечивая значительную экономию энергоносителей. Кроме того, в плате управления предусмотрен внутренний разъем для подключения, при необходимости, платы расширения для управления наружными реле.

Другие особенности котлов **Brava Slim BFT**:

- функция защиты от замерзания, которая включается автоматически при опускании температуры воды в котле ниже значения, установленного в параметре "PAR 10", а при наличии датчика наружной температуры — при опускании уличной температуры ниже значения, установленного в параметре "PAR 11"
- функция защиты от блокировки насоса и переключательного клапана, которая включается автоматически через каждые 24 часа простоя котла;
- функция "Трубочист", которую можно включить на 15 минут для измерения параметров и КПД сгорания и проверки давления газа на сопла;
- отображение на дисплее рабочих параметров и данных самодиагностики с кодом ошибки в случае неисправности/поломки, что значительно облегчает ремонт и восстановление рабочих условий аппарата.

5.2 Устройства контроля и безопасности

Котлы **Brava Slim BFT** оборудованы следующими устройствами контроля и безопасности:

- предохранительным датчиком температуры (100°C)
- предохранительным клапаном 3 бар
- преобразователь давления воды системы отопления
- датчиком на нагнетании отопления
- датчиком ГВС.



ЗАПРЕЩЕНО

Запрещено запускать в работу аппарат при наличии неисправных или самостоятельно отремонтированных устройств безопасности.



ВНИМАНИЕ

Замена устройств безопасности может быть выполнена исключительно квалифицированным персоналом, который обязан использовать только оригинальные запасные части производства **Sime**.

5.3 Идентификация товара

Для идентификации котлов **Brava Slim BFT** используются:

- 1 Этикетка на упаковке:** содержит артикул, серийный номер и штрих-код котла
- 2 Паспортная табличка:** содержит технические и эксплуатационные характеристики и другие данные, требуемые действующим законодательством.

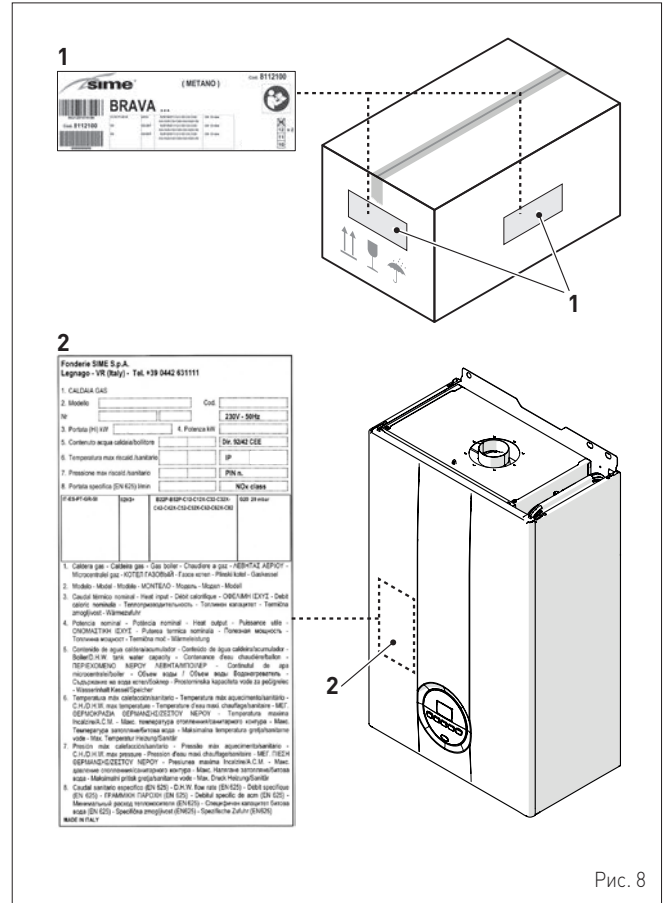


Рис. 8

УСЛОВНЫЕ ОБОЗНАЧЕНИЯ:

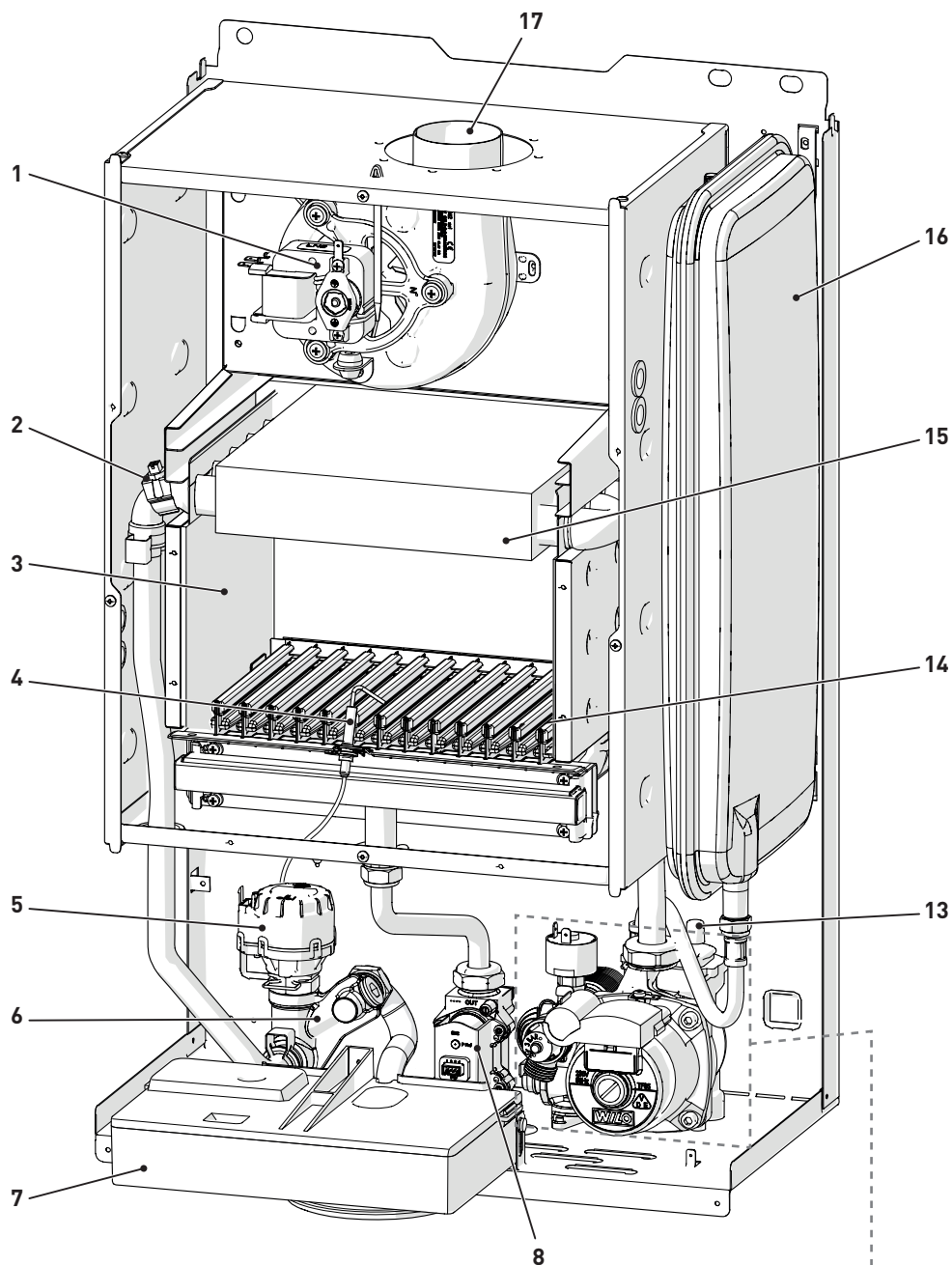
- 1 Этикетка на упаковке
- 2 Паспортная табличка



ПРЕДУПРЕЖДЕНИЕ!

Умышленное повреждение, удаление, потеря этикеток или паспортных табличек и любые другие действия, делающие невозможной надежную идентификацию товара, затрудняют работы по монтажу и техническому обслуживанию.

5.4 Конструкция



- 1 Вентилятор
- 2 Двойной датчик (нагнетание отопления/предохранительный)
- 3 Камера сгорания
- 4 Электрод розжига / обнаружения пламени
- 5 Переключательный клапан
- 6 Узел наполнения системы
- 7 Панель управления
- 8 Газовый клапан
- 9 Предохранительный клапан
- 10 Слив котла
- 11 Насос системы отопления
- 12 Преобразователь давления воды
- 13 Автоматический воздушный клапан
- 14 Горелка
- 15 Первичный теплообменник
- 16 Расширительный бак
- 17 Система отвода газовых дымов и забора воздуха горения

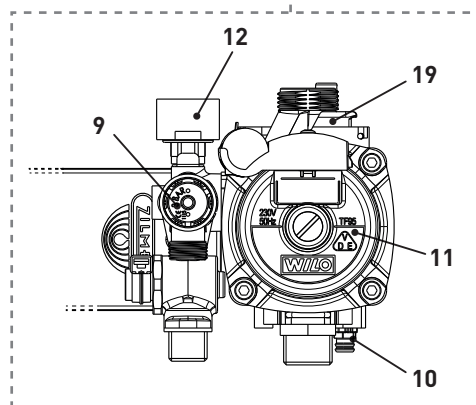


Рис. 9

5.5 Технические характеристики

ОПИСАНИЕ		Brava Slim 30 BFT
СЕРТИФИКАТЫ		
Страны назначения		-
Топливо		G20 - G30/G31
Номер PIN		1312CP5935
Категория		II2H3+
Тип		B22P - B32P - B52P C12 - C12X - C32 - C32X - C42 - C42X - C52 - C52X C62 - C62X - C82 - C82X - C92
Класс NOx		3 (< 150 мг/кВтч)
ЭКСПЛУАТАЦИОННЫЕ ПОКАЗАТЕЛИ В РЕЖИМЕ ОТОПЛЕНИЯ		
ТЕПЛОВАЯ НАГРУЗКА		
Номинальная тепловая нагрузка	kW	30,0
Минимальная тепловая нагрузка	kW	10,8
ТЕПЛОВАЯ МОЩНОСТЬ		
Номинальная полезная тепловая мощность (80-60°C)	kW	28,1
Минимальная полезная тепловая мощность (80-60°C)	kW	9,2
КПД		
Макс. КПД (80-60°C)	%	93,7
Мин. КПД (80-60°C)	%	85,2
КПД при 30 % нагрузки (50/80 °C)	%	91,1
Энергетическая эффективность (CEE 92/42)		★ ★ ★
Потери при остановке при 50 °C	W	75
ЭЛЕКТРИЧЕСКИЕ ХАРАКТЕРИСТИКИ		
Напряжение электропитания	V	230
Частота	Hz	50
Потребляемая мощность	W	113
Класс электрической защиты	IP	X5D
ХАРАКТЕРИСТИКИ СГОРАНИЯ		
Температура дымовых газов при макс. / мин. тепловой нагрузке (80-60°C)	°C	151,9 / 100,8
Макс. / мин. массовый расход дымовых газов	g/s	19 / 19
CO ₂ при макс. / мин. нагрузке (G20) с отдельными трубопроводами для отвода дыма и забора воздуха	%	7,1 / 2,3
CO ₂ при макс. / мин. нагрузке (G31) с отдельными трубопроводами для отвода дыма и забора воздуха	%	7,8 / 2,7
СОПЛА - ГАЗ		
Кол-во сопел	шт.	13
Диаметр сопел (G20)	мм	1,30
Диаметр сопел (G30/G31)	мм	0,78
Расход газа при макс. / мин. нагрузке (G20)	m ³ /h	3,17 / 1,14
Расход газа при макс. / мин. нагрузке (G30)	kg/h	2,36 / 0,85
Расход газа при макс. / мин. нагрузке (G31)	kg/h	2,33 / 0,84
Давление подачи газа (G20/G30/G31)	мбар	20 / 28-30 / 37
	кПа	2 / 2,8-3 / 3,7
ПОКАЗАТЕЛИ ТЕМПЕРАТУРЫ / ДАВЛЕНИЯ		
Макс. рабочая температура	°C	85
Диапазон регулирования температуры в режиме отопления	°C	20 ÷ 80
Диапазон регулирования температуры в режиме ГВС	°C	10 ÷ 60
Макс. рабочее давление	бар	3
	кПа	300
Объем котловой воды	л	3,65

Низшая теплотворная способность (Hi)

G20 Hi. 9,45 кВт/м³ (15°C, 1013 мбар) - **G30 Hi.** 12,68 кВт/кг (15°C, 1013 мбар) - **G31 Hi.** 12,87 кВт/кг (15°C, 1013 мбар)

5.6 Принципиальная гидравлическая схема

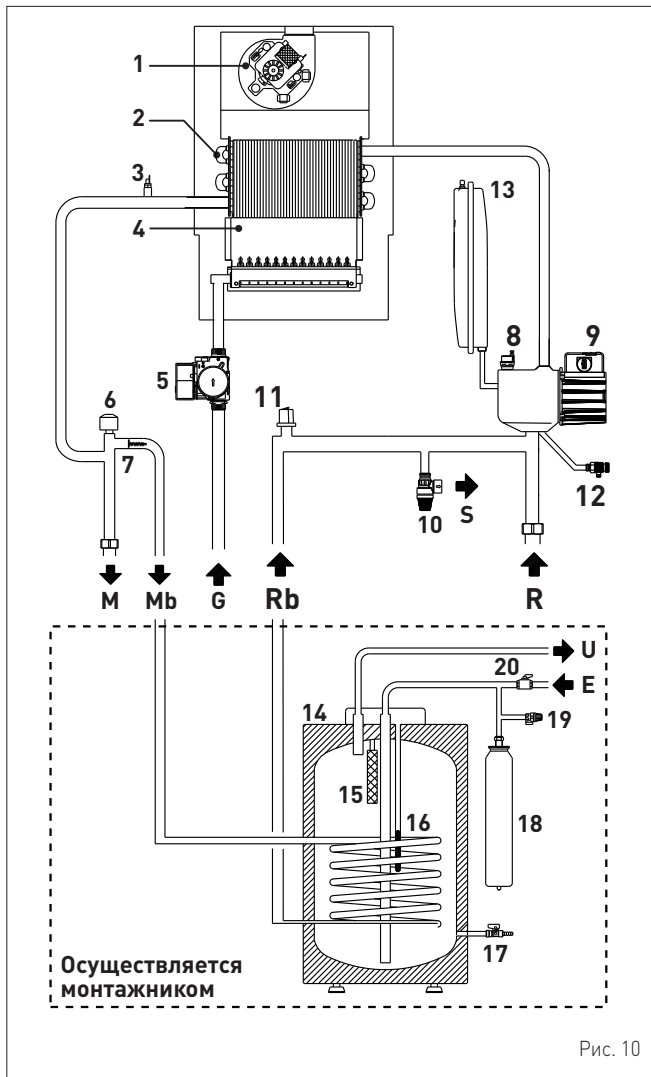


Рис. 10

УСЛОВНЫЕ ОБОЗНАЧЕНИЯ:

- M Нагнетание отопления
- R Возврат отопления
- Mb Нагнетание водонагревателя
- Rb Возврат водонагревателя
- S Слив предохранительного клапана
- G Подача газа
- U Выход ГВС
- U Вход ГВС

- 1 Вентилятор
- 2 Теплообменник (монотермический)
- 3 Двойной датчик (нагнетание отопления/предохранительный)
- 4 Камера сгорания
- 5 Газовый клапан
- 6 Переключательный клапан
- 7 Автоматический байпас
- 8 Автоматический воздушный клапан
- 9 Насос
- 10 Предохранительный клапан системы отопления
- 11 Преобразователь давления воды
- 12 Слив котла
- 13 Расширительный бак системы отопления
- 14 Накопительный водонагреватель
- 15 Магниевый анод
- 16 Датчик температуры ГВС
- 17 Сливной кран водонагревателя
- 18 Расширительный бак для ГВС
- 19 Предохранительный клапан водонагревателя
- 20 Кран на входе ГВС

5.7 Датчики

- Установленные датчики имеют следующие характеристики:
- двойной датчик температуры (нагнетание отопления/ предохранительный) NTC R25°C; номинальное сопротивление 10 кОм при 825/85°C: 3435
 - датчик температуры ГВС NTC R25°C; номинальное сопротивление 10 кОм при 825/85°C: 3435
 - датчик наружной температуры NTC R25°C; номинальное сопротивление 10 кОм при 825/85°C: 3435

Соотношение измеренной температуры/сопротивления

Примеры показаний:
 TR=75°C → R=1925 Ом
 TR=80°C → R=1925 Ом.

TR	0°C	1°C	2°C	3°C	4°C	5°C	6°C	7°C	8°C	9°C
0°C	27279	26135	25044	24004	23014	22069	21168	20309	19489	18706
10°C	17959	17245	16563	15912	15289	14694	14126	13582	13062	12565
20°C	12090	11634	11199	10781	10382	9999	9633	9281	8945	8622
30°C	8313	8016	7731	7458	7196	6944	6702	6470	6247	6033
40°C	5828	5630	5440	5258	5082	4913	4751	4595	4444	4300
50°C	4161	4026	3897	3773	3653	3538	3426	3319	3216	3116
60°C	3021	2928	2839	2753	2669	2589	2512	2437	2365	2296
70°C	2229	2164	2101	2040	1982	1925	1870	1817	1766	1717
80°C	1669	1622	1577	1534	1491	1451	1411	1373	1336	1300
90°C	1266	1232	1199	1168	1137	1108	1079	1051	1024	998
100°C	973									

сопротивления R (Ω)

5.8 Расширительный бак

Установленный в котлах расширительный бак имеет следующие характеристики:

Описание	Ед. изм.	Brava Slim BFT
		30
Общая емкость	л	9,0
Предварительное давление	кПа	100
	бар	1,0
Полезная емкость	л	5,0
Максимальная емкость котла (*)	л	124

(*) Условия:
 Средняя макс. температуры системы 85°C
 Температура перед наполнением системы отопления 10°C.

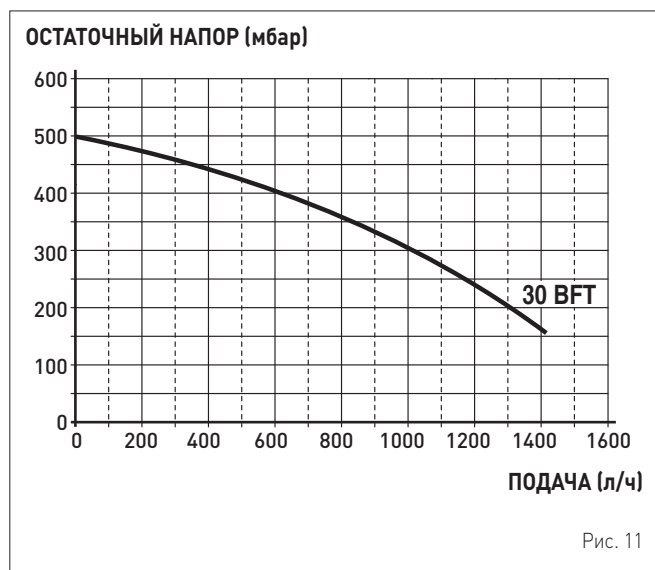


ПРЕДУПРЕЖДЕНИЕ!

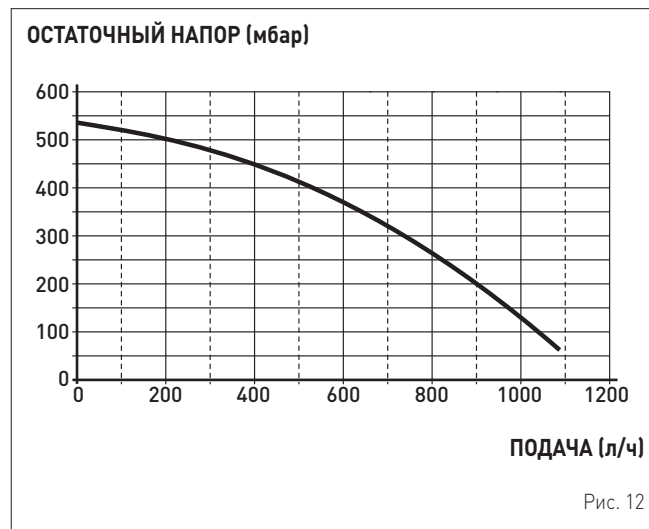
- Для систем отопления, содержание воды в которых превышает максимальную емкость котла (указанную в таблице) необходимо предусмотреть дополнительный расширительный бак.
- Разность уровней предохранительного клапана и самой высокой точки системы отопления не должна превышать 6 метров. При большей разности необходимо увеличить предварительное давление расширительного бака и системы отопления в охлажденном состоянии на 0,1 бар на каждый дополнительный метр разности.

5.9 Циркуляционный насос

Ниже помещен график отношения подачи-напора (характеристики насоса) в системе отопления.



Ниже приведен график отношения подачи-напора, полезный для размещения змеевика водонагревателя с дистанционным управлением.



ПРЕДУПРЕЖДЕНИЕ!

Котел оснащен обводным контуром (байпасом), который обеспечивает циркуляцию воды, когда в системе отопления используются краны и термостатические клапаны.

5.10 Панель управления

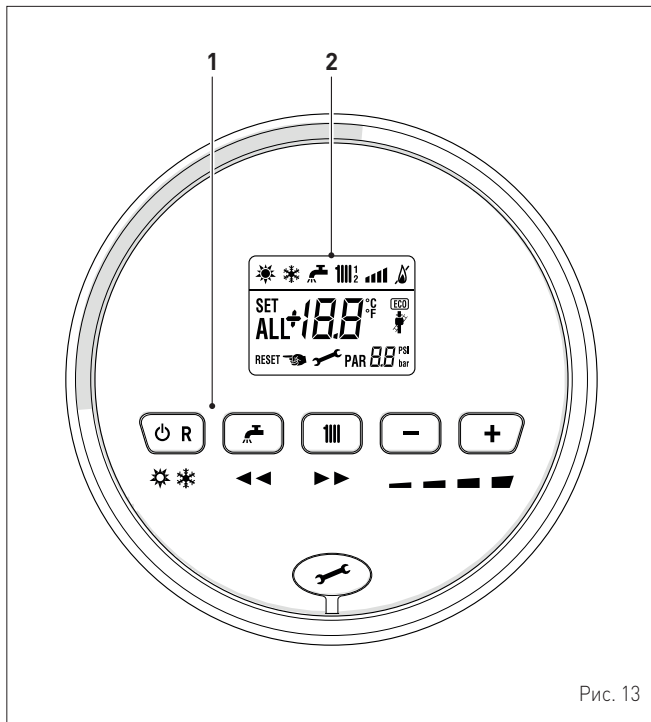


Рис. 13

1 КНОПКИ УПРАВЛЕНИЯ

⏻ Нажав один или несколько раз и удерживая данную кнопку в течение 1 секунды во время нормальной работы, можно переключать рабочие режимы котла ("Режим ожидания" – "Лето" – "Зима"). Если котел находится в режиме сбрасываемой неисправности, это позволяет произвести разблокировку.

🔧 При нормальном функционировании, нажатие кнопки позволяет отобразить установленное значение температуры воды для ГВС, изменяемое от 10 до 60°C. При "настройке параметров", нажатие кнопки позволяет пролистать указатель параметров (в сторону уменьшения).

||| При нормальном функционировании, нажатие кнопки позволяет отобразить установленное значение температуры воды для системы отопления, изменяемое от 20 до 80°C. При "настройке параметров", нажатие кнопки позволяет пролистать указатель параметров (в сторону увеличения).

- При нормальном функционировании нажатие кнопки позволяет уменьшить установленное значение температуры воды для системы отопления или ГВС, в зависимости от сделанного ранее выбора. При наличии дистанционного управления (Open Therm), после выбора кнопки системы отопления, нажатие кнопки (-) позволяет изменять, в сторону уменьшения, крутизну климатической кривой. На странице "Отображение и настройка параметров", нажатие кнопки позволяет изменять настройку или значение параметра (в сторону уменьшения).

+ При нормальном функционировании нажатие кнопки позволяет увеличить установленное значение температуры воды для системы отопления или ГВС, в зависимости от сделанного ранее выбора. При наличии дистанционного управления (Open Therm), после выбора кнопки системы отопления, нажатие кнопки (+) позволяет изменять, в сторону увеличения, крутизну климатической кривой. На странице "Отображение и настройка параметров", нажатие кнопки позволяет изменять настройку или значение параметра (в сторону увеличения).

🔧 Заглушка разъема для программирования.

ПРИМЕЧАНИЕ: нажав и удерживая любую кнопку в течение 30 секунд можно вывести на дисплей сообщение о неисправности, не прерывая работы котла. Аварийный сигнал исчезает после восстановления нормальных рабочих условий.

2 ДИСПЛЕЙ

☀️ "ЛЕТО". Символ отображается при переключении в рабочий режим "Лето" или при переключении котла в режим только ГВС с помощью пульта дистанционного управления, если он подключен. Мигающие символы ☀️ и ❄️ сигнализируют о включении функции "Трубочист".

❄️ "ЗИМА". Символ отображается при переключении в рабочий режим "Зима" или при переключении котла в режим ГВС + отопление с помощью пульта дистанционного управления, если он подключен. Если при подключенном дистанционном управлении не выбран ни один режим работы, то оба символа ☀️ и ❄️ остаются выключенными.

RESET "СБРОС" Надпись указывает, что после ремонта, нормальное функционирование котла может быть восстановлено путем нажатия кнопки **⏻**.

🔧 "ГВС" Символ присутствует при запросе ГВС или в ходе функции "Трубочист". Мигает в ходе выбора установленного значения температуры воды для ГВС.

||| "ОТОПЛЕНИЕ" Символ присутствует при работе функции системы отопления или в ходе функции "Трубочист". Мигает в ходе выбора установленного значения температуры воды системы отопления.

🔥 **БЛОКИРОВКА ИЗ-ЗА ОТСУТСТВИЯ ПЛАМЕНИ.**

🔥 "НАЛИЧИЕ ПЛАМЕНИ".

|||| "УРОВЕНЬ МОЩНОСТИ". Указывает уровень мощности, при котором работает котел.

PAR "ПАРАМЕТР". Указывает, что может отображать/устанавливать параметры, или отображать "инфо", или "счетчики", или "сработанные аварийные сигналы" (архив).

ALL "АВАРИЙНЫЙ СИГНАЛ". Указывает на выявление неисправности. Номер указывает на соответствующую причину.

🔧 "ТРУБОЧИСТ". Указывает на активацию функции "трубочист".

ECO "ЕСО, ПРИСУТСТВИЕ ДОПОЛНИТЕЛЬНЫХ ИСТОЧНИКОВ". Активация обозначает присутствие солнечной установки.

🔧 "ЗАПРОС ТЕХОБСЛУЖИВАНИЯ". При активации, указывает на достижение периода времени, когда необходимо осуществлять техобслуживание котла.

5.11 Электрическая схема

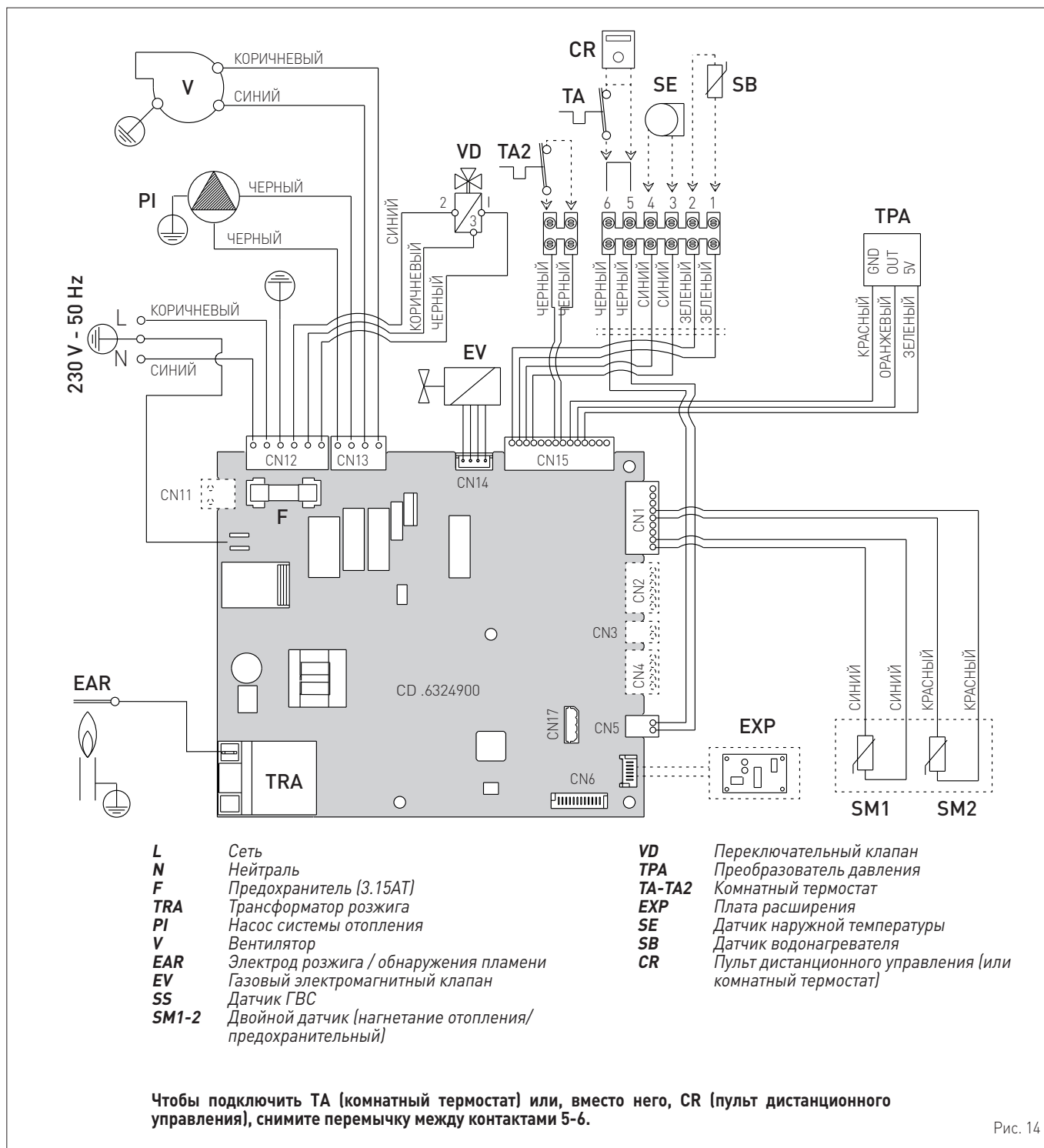


Рис. 14


ПРЕДУПРЕЖДЕНИЕ!
Обязательные требования:

- Установите всеполюсный автоматический выключатель и сетевой разъединитель, соответствующие требованиям европейских стандартов **обеспечивающий полное разъединение в условиях категории избыточного напряжения III (то есть, по меньшей мере, с расстоянием 3 мм между разомкнутыми контактами)**.
- Не нарушайте соединение L (фаза) - N (нейтраль).
- Специальный кабель питания должен быть заменен только оригинальным запасным кабелем. Подключение сменного кабеля должно быть поручено квалифицированному специалисту.


ПРЕДУПРЕЖДЕНИЕ!
Обязательные требования:

- С помощью заземляющего кабеля подключите котел к надежной системе заземления. Производитель не несет ответственности за ущерб, полученный вследствие неподключения аппарата к системе заземления и нарушения электрических схем.


ЗАПРЕЩЕНО

- Для заземления котла используйте водопроводные трубы.

ИНСТРУКЦИИ ПО УСТАНОВКЕ И ТЕХОБСЛУЖИВАНИЮ

ОГЛАВЛЕНИЕ

6	МОНТАЖ	62	8	ТЕХНИЧЕСКОЕ ОБСЛУЖИВАНИЕ	82
6.1	Приемка товара	62	8.1	Уход	82
6.2	Габаритные размеры и вес	62	8.2	Наружная чистка	82
6.3	Перемещение	62	8.2.1	Чистка панелей корпуса	82
6.4	Помещение для установки	62	8.3	Внутренняя чистка	82
6.5	Установка в новой системе или замена в уже существующий гидравлической системе	63	8.3.1	Чистка теплообменника	82
6.6	Очистка системы	63	8.3.2	Чистка горелки	83
6.7	Обработка воды в системе	63	8.3.3	Проверка электрода розжига / обнаружения пламени	83
6.8	Монтаж котла	63	8.3.4	Заключительные работы	83
6.9	Гидравлические подключения	64	8.4	Проверки	83
6.9.1	Гидравлические аксессуары (опция)	64	8.4.1	Проверка трубопроводов системы отвода газовых дымов и забора воздуха горения	83
6.10	Питающий газ	64	8.4.2	Проверка нагнетания давления расширительного бака	83
6.11	Системы отвода дымовых газов и забора воздуха для горения	65	8.5	Внеочередное техобслуживание	84
6.11.1	Коаксиальные трубопроводы (Ø 60/100мм и 80/125мм)	66	8.6	Коды аномалий и возможные меры устранения	84
6.11.2	Раздельные трубопроводы (Ø 80 мм)	66	8.6.1	Запрос техобслуживания	85
6.12	Электрические подключения	68			
6.12.1	Датчик наружной температуры	69			
6.12.2	Программируемый или комнатный термостат	69			
6.12.3	ПРИМЕРЫ использования устройств управления/контроля в некоторых вариантах системы отопления	69			
6.13	Наполнение и опорожнение	70			
6.13.1	Процедура НАПОЛНЕНИЯ	70			
6.13.2	Процедура ОПОРОЖНЕНИЯ	71			
7	ЗАПУСК КОТЛА	72			
7.1	Предварительные работы	72			
7.2	Первый запуск котла	72			
7.3	Отображение и настройка параметров	72			
7.4	Список параметров	73			
7.5	Отображение рабочих данных и показаний счетчиков	75			
7.6	Проверки и регулировки	76			
7.6.1	Функция "Трубочист"	76			
7.6.2	Регулирование давления газа на сопла	77			
7.7	Смена типа питающего газа	78			
7.7.1	Предварительные работы	78			
7.8	Процедура автоматической настройки	79			
7.9	Функция предварительного нагрева воды в системе ГВС	81			

6 МОНТАЖ



ПРЕДУПРЕЖДЕНИЕ!

Работы по установке прибора должны выполняться исключительно технической службой **Sime** или квалифицированным персоналом с **ОБЯЗАТЕЛЬНЫМ** использованием надлежащих средств защиты.

6.1 Приемка товара

Котлы **Brava Slim BFT** поставляются в единой упаковке, помещенной в картонную коробку.

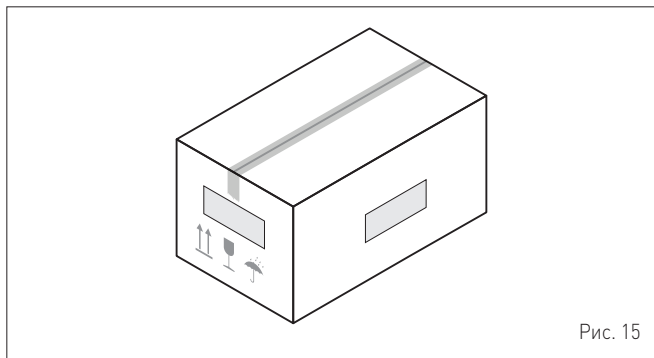


Рис. 15

В целлофановом пакете, который вы найдете внутри упаковки, содержатся следующие документы и материалы:

- инструкция по монтажу, эксплуатации и техническому обслуживанию
- бумажный шаблон для монтажа котла
- гарантийный сертификат
- акт гидравлического испытания
- паспорт системы
- упаковка с расширяющимися дюбелями



ЗАПРЕЩЕНО

Запрещено выбрасывать в окружающую среду и оставлять в досягаемости детей упаковочные материалы в виду их потенциальной опасности. Их необходимо утилизировать в соответствии с требованиями действующего законодательства.

6.2 Габаритные размеры и вес

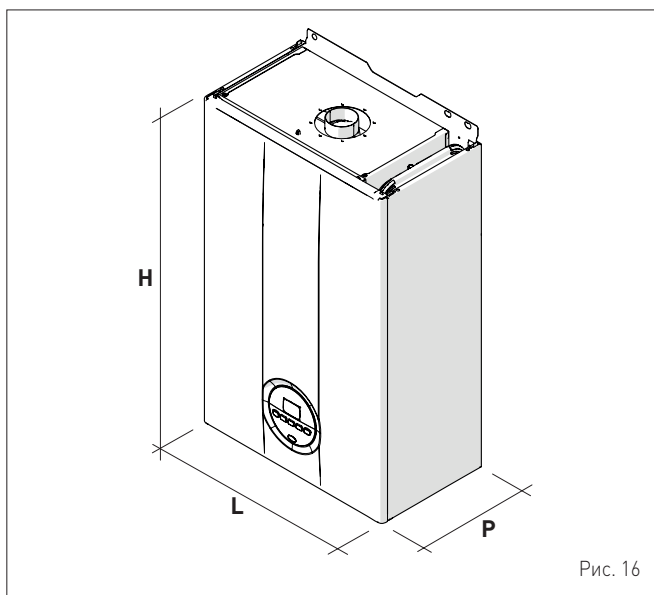


Рис. 16

Описание	Brava Slim BFT
	30
L (мм)	450
P (мм)	250
H (мм)	700
Вес (кг)	31,5

6.3 Перемещение

Распакованный аппарат перемещается вручную. Поднимите и удерживайте его так, как показано на рисунке.

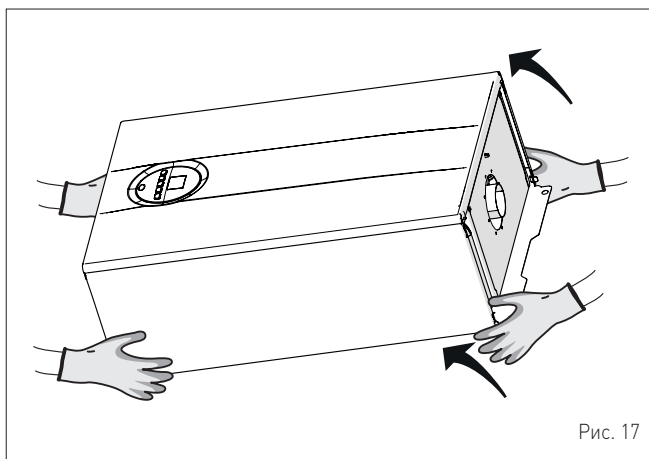


Рис. 17



ЗАПРЕЩЕНО

Захватывать за облицовку устройства. Удерживать устройство за такие части, как основание и структура.



ВНИМАНИЕ

При распаковке и перемещении аппарата используйте необходимые средства индивидуальной защиты. Соблюдать максимальный вес, поднимаемый человеком.

6.4 Помещение для установки

Помещение, предназначенное для установки котла, должно соответствовать требованиям технических стандартов и действующего законодательства. Оно должно быть оснащено вентиляционными отверстиями соответствующих размеров при установке "ТИПА В".

Минимальная температура в помещении НЕ должна опускаться ниже **-5 °С**.



ПРЕДУПРЕЖДЕНИЕ!

- Перед установкой прибора монтажник **ДОЛЖЕН** убедиться в способности стены выдержать вес прибора.
- При монтаже необходимо учесть расстояния, необходимые для доступа к устройствам безопасности/регулировки и выполнения работ по техническому обслуживанию (см. Рис. 18).

ПРИБЛИЗИТЕЛЬНЫЕ УСТАНОВОЧНЫЕ РАССТОЯНИЯ

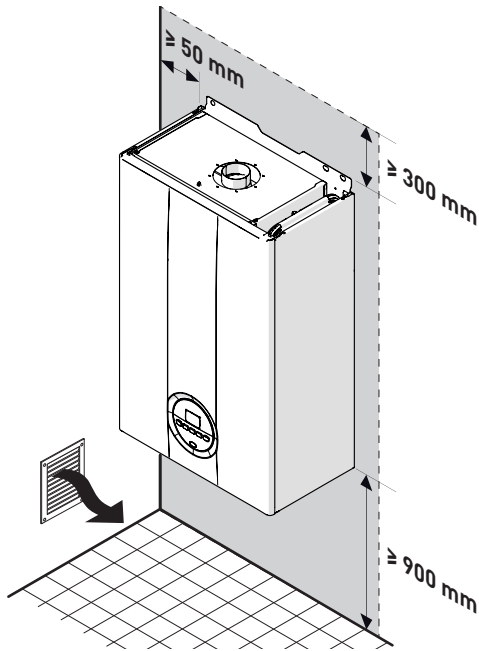


Рис. 18

6.5 Установка в новой системе или замена в уже существующей гидравлической системе

Если котлы **Brava Slim BFT** устанавливаются в уже существующих или обновляемых гидравлических системах, рекомендуется выполнить следующие проверки:

- убедитесь, что дымовая труба рассчитана на температуру дымовых газов, спроектирована и изготовлена в соответствии с требованиями действующего законодательства, является по возможности прямой, герметичной, изолированной, ничем не закупорена и частично не перекрыта и оборудована системой сбора и отвода конденсата
- убедитесь, что электрическая проводка проложена и подключена в соответствии с требованиями соответствующих действующих норм и стандартов квалифицированным персоналом
- убедитесь, что трубопровод подачи топлива и бак для сжиженного газа (при его наличии) изготовлены в соответствии с требованиями соответствующих действующих норм и стандартов
- убедитесь, что расширительный бак способен принять весь объем расширения жидкости, содержащейся в системе отопления
- убедитесь, что подача и напор насоса соответствуют характеристикам системы
- убедитесь, что система промыта и очищена от грязи и накипи, что в ней нет воздуха и она полностью герметична. Очистке системы посвящен отдельный пункт инструкции.



ПРЕДУПРЕЖДЕНИЕ!

Производитель не несет ответственности за ущерб, полученный вследствие неправильной конструкции системы отвода газовых дымов.

6.6 Очистка системы

Прежде чем установить котел в новую или уже существующую гидравлическую систему взамен старого теплового генератора, очень важно тщательно промыть и очистить систему от грязи, мусора, остатков монтажных материалов и т.д.

Прежде чем демонтировать старый котел в уже существующих системах рекомендуется:

- добавить средство против образования накипи в воду системы
- заставить котел активно работать в течение нескольких дней
- слить грязную воду и промыть систему чистой водой один или несколько раз.

Если старый тепловой генератор уже демонтирован или не может быть использован, установите вместо него насос, который обеспечит циркуляцию воды в системе, и повторите вышеописанную процедуру.

По окончании промывки перед установкой нового котла рекомендуется добавить в воду системы средство защиты от коррозии и накипи.



ПРЕДУПРЕЖДЕНИЕ!

- Более подробную информацию о типах и использовании добавок можно узнать у производителя котла.
- Напоминаем, что следует **ОБЯЗАТЕЛЬНО** установить Y-образный фильтр (не входит в комплект поставки прибора) на обратной линии (R) системы отопления.

6.7 Обработка воды в системе

Для наполнения и добавления воды в систему (при необходимости) рекомендуется использовать воду, имеющую следующие характеристики:

- внешний вид: как можно более прозрачная
- pH: 6÷8
- жесткость: < 25°f.

Если характеристики воды отличаются от указанных, рекомендуется установить предохранительный фильтр в трубопроводе подачи воды и систему химической обработки для защиты от накипи и коррозии, которые могут поставить под угрозу исправную работу котла.

Если система работает только в низкотемпературном режиме, рекомендуется применять вещества, препятствующие размножению бактерий.

В любом случае необходимо соблюдать требования действующих норм и технических стандартов.

6.8 Монтаж котла

Котлы **Brava Slim BFT** поставляются в комплекте с бумажным шаблоном для их монтажа на прочной стене.

Чтобы установить котел:

- приложите бумажный шаблон (1) к стене (2), предназначенной для монтажа котла
- просверлите отверстия в отмеченных точках и вставьте в них расширяющиеся дюбели (3)
- навесьте котел на дюбели.

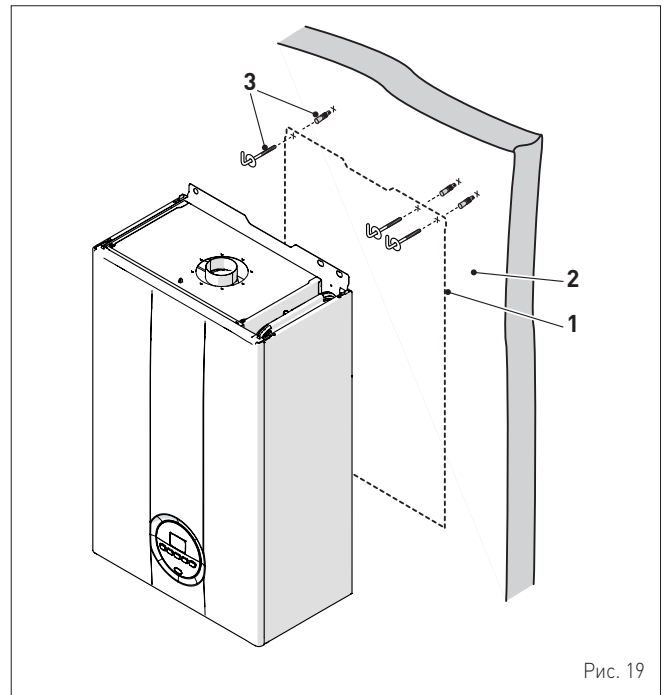


Рис. 19


ПРЕДУПРЕЖДЕНИЕ!

Котел необходимо навесить на высоте, удобной для работ по демонтажу и техническому обслуживанию.

6.9 Гидравлические подключения

Ниже указаны характеристики и размеры гидравлических соединений.

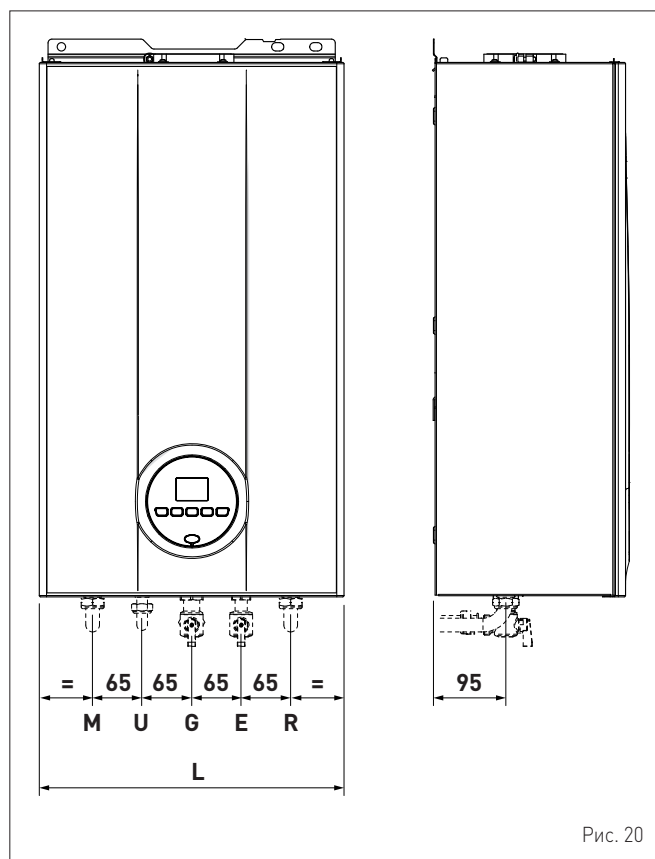


Рис. 20

Описание	Brava Slim 30 BFT
M - Нагнетание отопления	Ø 3/4" G
R - Возврат отопления	Ø 3/4" G
U - Выход ГВС	Ø 1/2" G
E - Вход ГВС	Ø 1/2" G
G - Подача газа	Ø 3/4" G
L (мм)	450

6.9.1 Гидравлические аксессуары (опция)

Чтобы упростить подключение котла к газовой и гидравлической системам, можно использовать перечисленные в таблице аксессуары. Последние поставляются по отдельному заказу.

ОПИСАНИЕ	КОД
Монтажная пластина	8075441
Комплект колен	8075418
Комплект колен и кранов с патрубками стандарта DIN и SIME	8075443
Комплект кранов	8091806
Комплект кранов с патрубками стандарта DIN и SIME	8075442
Комплект запчастей других марок для настенных котлов	8093900
Комплект солнечных панелей для котлов мгновенного нагрева	8105101
Комплект защиты соединений (30 кВт)	8094531
Комплект дозатора полифосфатов	8101700
Комплект зарядки дозатора	8101710

ПРИМЕЧАНИЕ: Инструкции по использованию каждого комплекта поставляются вместе с соответствующим аксессуаром или указаны на упаковке.

6.10 Питающий газ

В соответствии с заводскими настройками котлы **Brava Slim BFT** приспособлены для питания газом G20 или G30/G31. Модели, предназначенные для питания G20, можно переоборудовать для питания G30/G31 с помощью "специального комплекта сопел" (опция), поставляемого **Sime** по отдельному заказу.

В случае изменения используемого типа газа, следует полностью выполнить процедуру "**СМЕНА ТИПА ПИТАЮЩЕГО ГАЗА**" котла. Подключение котла к питающей газовой системе должно быть выполнено в соответствии с действующими нормами и правилами установки.

Прежде чем приступить к подключению, необходимо удостовериться, что:

- тип подаваемого газа соответствует предусмотренному для котла
- все трубопроводы тщательно очищены
- размеры трубопровода для подачи газа равны или превосходят размеры соединения котла (G 3/4"); потери напора ниже или равны значениям, предусмотренным на участке между трубопроводом подачи газа и котлом.


ВНИМАНИЕ

По завершении монтажа проверьте герметичность всех соединений в соответствии с действующими нормами и правилами установки.

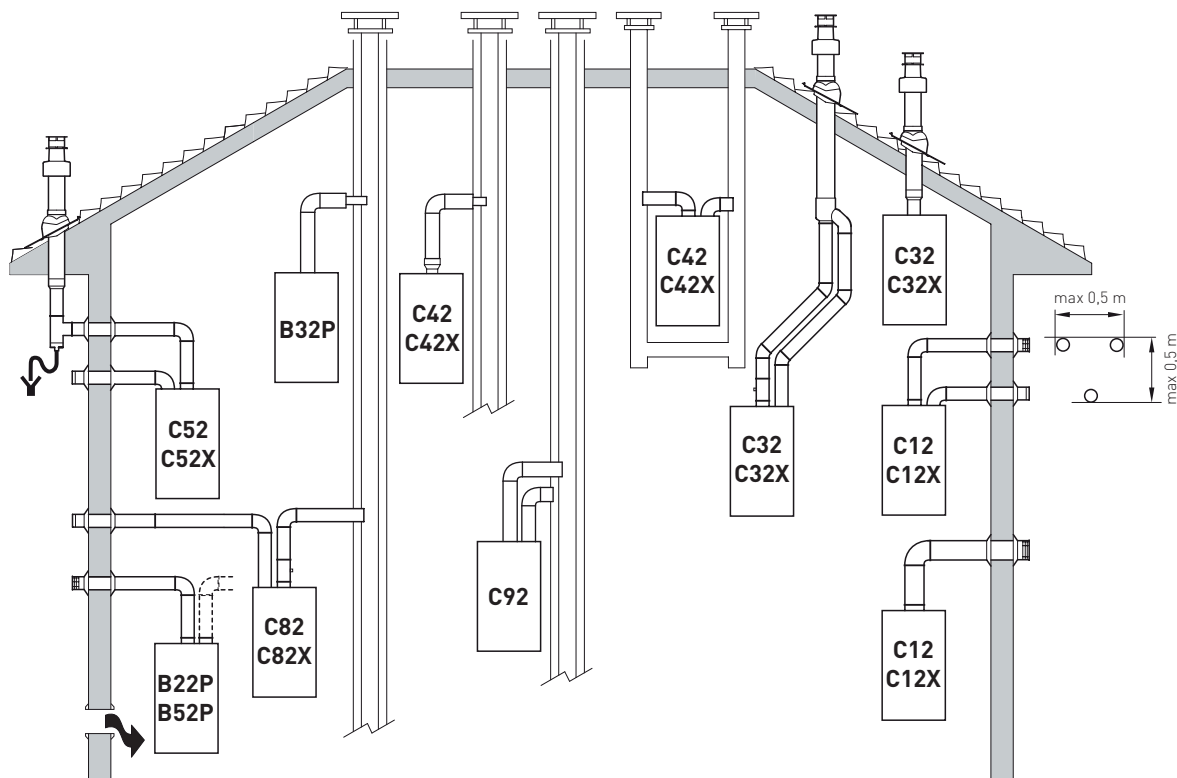

ПРЕДУПРЕЖДЕНИЕ!

На газопроводе рекомендуется установить соответствующий фильтр.

6.11 Системы отвода дымовых газов и забора воздуха для горения

Котлы **Brava Slim BFT** должны быть оснащены соответствующими дымоходами для отвода дымовых газов и воздуховодами для забора воздуха горения. Дымоходы/воздуховоды являются неотъемлемой частью котла и поставляются **Sime** в комплекте аксессуаров. Комплект дымоходов/воздуховодов заказывается отдельно с учетом разрешенных в месте установке типов и требований системы.

Разрешенные типы дымоходов/воздуховодов



B22P-B52-B52P

Забор воздуха для горения в помещении и отвод дымовых газов наружу.

ПРИМЕЧАНИЕ: отверстие для забора воздуха для горения ($6 \text{ см}^2 \times \text{кВт}$).

C12-C12X

Отвод дымовых газов через стену по коаксиальному (концентрическому) трубопроводу. Трубы для отвода газовых дымов /забора воздуха могут отходить от котла и по отдельности, но их выходы должны быть коаксиальными и находиться на небольшом расстоянии друг от друга (в пределах 50 см), так чтобы на них действовали одинаковые погодные условия.

C32-C32X

Отвод дымовых газов через крышу по коаксиальному (концентрическому) трубопроводу. Выходы аналогичны типу C12X.

C42-C42X

Отвод дымовых газов и забор воздуха через общие или отдельные трубопроводы, на которые действуют одинаковые погодные условия.

C52-C52X

Отвод дымовых газов и забор воздуха по отдельным трубам через стену или крышу в зонах с разным давлением.

ПРИМЕЧАНИЕ: отвод дымовых газов и забор воздуха для горения ни в коем случае не должны располагаться на противоположных стенах.

C82-C82X

Отвод дымовых газов через отдельный или общий дымоход, забор воздуха через стену.

C92

Отвод дымовых газов и забор воздуха по отдельным трубам через общий дымоход.

P: система отвода дымовых газов спроектирована для работы при положительном давлении.

X: аппараты и соответствующие системы отвода газовых дымов, которые соответствуют немецким требованиям герметичности.


ВНИМАНИЕ!

- Трубопровод для отвода продуктов горения и соединение с дымоходом должны соответствовать требованиям действующего законодательства и местных норм и правил.
- Обязательным является использование герметичных жестких термостойких трубопроводов, устойчивых к воздействию конденсата и механическим нагрузкам.
- Неизолированные трубопроводы для отвода дымовых газов являются источником потенциальной опасности.

6.11.1 Коаксиальные трубопроводы (Ø 60/100мм и 80/125мм)
Аксессуары для коаксиальных трубопроводов

Описание	Код	
	Ø 60/100 мм	Ø 80/125 мм
Комплект для коаксиального трубопровода	8084813	8084830
Удлинитель L = 1000 мм	8096103	8096130
Удлинитель, L = 500 мм	8096102	-
Вертикальный удлинитель, L = 200 мм с отверстием анализатора дыма	8086908	-
Переходник для Ø 80/125 мм	-	8093120
Дополнительное колено (90°)	8095801	8095820
Дополнительное колено (45°)	8095900	8095920
Черепица с шарниром	8091300	8091300
Наконечник трубопровода для отвода дымовых газов через крышу, L = 1284 мм	8091200	8091200
Вертикальный конденсатоотводчик, L = 200 мм	8092803	8092803

Потери напора - Эквивалентные длины

Модель	L экв. (линейные метры)	
	Ø 60/100 мм	Ø 80/125 мм
Колено 90°	1	1
Колено 45°	0,5	0,8

Мин./Макс. длина

Модель	Длина трубопровода Ø 60/100				Длина трубопровода Ø 80/125			
	L = длина горизонтального участка (м)		H = высота вертикального участка (м)		L = длина горизонтального участка (м)		H = высота вертикального участка (м)	
	Мин.	Макс.	Мин.	Макс.	Мин.	Макс.	Мин.	Макс.
Brava Slim 30 BFT	-	3	1,3 (*)	5	3	6	4	7


ПРЕДУПРЕЖДЕНИЕ!

(*) В вертикальных системах отвода газовых дымов (типа С32) или на вертикальном участке систем отвода газовых дымов (типа С42) длиной больше 1,3 м необходимо **ОБЯЗАТЕЛЬНО** установить вертикальный конденсатоотводчик.

Диафрагмы для коаксиальных трубопроводов

Котлы поставляются с диафрагмами (1), имеющими следующие характеристики:

- **Brava Slim 30 BFT:** диафрагма Ø 81 мм.

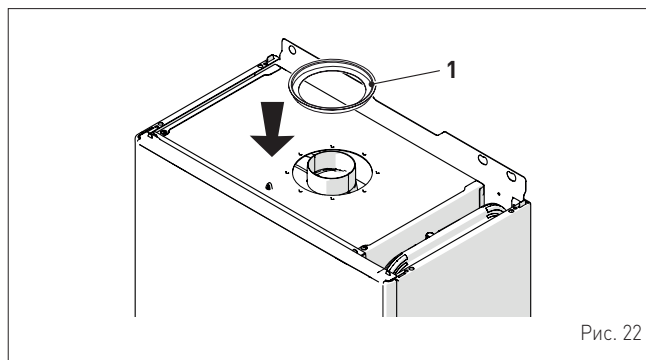


Рис. 22

В случае систем **типа С12** или **С42** диафрагму необходимо снять или оставить в зависимости от условий, изложенных ниже:

Модель	Диафрагма	для трубопровода длиной
Brava Slim 30 BFT	ДА (оставить)	< 1 м
	NO (снять)	> 1 м

В системе отвода дымовых газов **типа С32** (прямой вертикальной без изгибов) диафрагма влияет на максимальную длину трубопровода следующим образом:

Модель	Диафрагма	Макс. L (м)
Brava Slim 30 BFT	ДА	2,5
	NO	5

6.11.2 Раздельные трубопроводы (Ø 80 мм)

В системах отвода дымовых газов и забора воздуха горения с раздельными трубопроводами необходимо установить "раздвоитель воздух-дымовые газы", поставляемый по отдельному заказу. К последнему необходимо подключить некоторые другие аксессуары, перечисленные в таблице.

Общая максимальная длина, полученная путем сложения длин трубопроводов забора воздуха и отвода дымовых газов, определяется с учетом потерь напора из-за каждого установленного аксессуара и не должна превышать 9,5 м H₂O.

Отдельные аксессуары

Описание	Код
	Диаметр Ø 80 (мм)
Раздвоитель воздух-дымовые газы (с отверстием для забора проб) + диафрагма	8093020
Колено 90° М-Ф (6 шт.)	8077410
Колено 90° М-Ф (с отверстием для забора проб)	8077407
Колено 90° М-Ф (изолированное)	8077408
Удлинитель, L = 1000 мм (6 шт.)	8077309
Удлинитель, L = 1000 мм (изолированный)	8077306
Удлинитель, L = 500 мм (6 шт.)	8077308
Удлинитель, L = 135 мм (с отверстием для забора проб)	8077304
Наконечник трубопровода для отвода дымовых газов через стену	8089501
Комплект внутренних и наружных зажимов	8091500
Наконечник трубопровода для забора воздуха	8089500
Колено 45° М-Ф (6 шт.)	8077411
Конденсатоотводчик, L = 135 мм	8092800
Коллектор	8091400
Черепица с шарниром	8091300
Наконечник трубопровода для отвода дымовых газов через крышу, L = 1390 мм	8091201
Конденсатоотводчик	8093300
Соединение забора воздуха/отвода газовых дымов Ø 80/125 мм	8091401

Раздвоитель

Раздвоитель поставляется в комплекте с диафрагмой забора воздуха для горения, которую необходимо установить, удалив предварительно некоторые сегменты. Удаление последних зависит от общих потерь напора, которые рассчитываются путем сложения потерь трубопроводов забора воздуха и отвода газовых дымов.

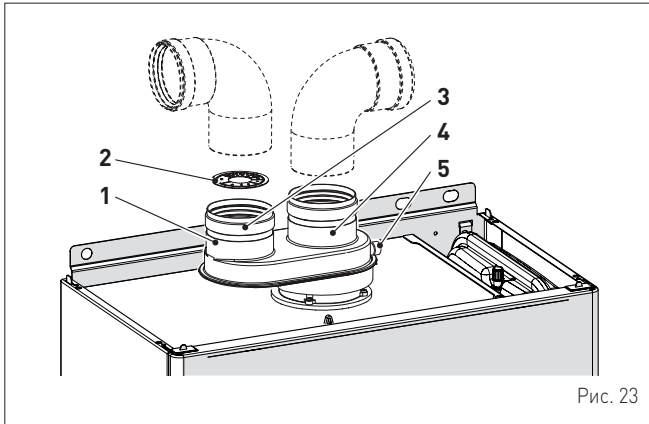


Рис. 23

УСЛОВНЫЕ ОБОЗНАЧЕНИЯ:

- 1 Раздвоитель с отверстием для забора проб
- 2 Диафрагма забора воздуха
- 3 Трубопровод забора воздуха горения
- 4 Система отвода газовых дымов и забора воздуха горения
- 5 Отверстие для забора проб для анализа дымовых газов

Потери напора от аксессуаров Ø 80 мм

Описание	Код	Потеря напора (мм вод. ст.)	
		Brava Slim 30 BFT	
		Забор воздуха	Отвод дымовых газов
Колено 90° MF	8077410	0,45	0,50
Колено 45° MF	8077411	0,40	0,45
Горизонтальный удлинитель, L = 1000 мм	8077309	0,25	0,35
Вертикальный удлинитель, L = 1000 мм	8077309	0,25	0,15
Наконечник для выхода через стену	8089501	0,20	0,80
Конденсатоотводчик	8093300	-	1,00
Наконечник трубопроводов для отвода дымовых газов и забора воздуха через крышу (*)	8091200	2,00	0,20

(*) В потерях напора от наконечника трубопровода для забора воздуха через крышу учтены и потери коллектора код 8091400.

ПРИМЕЧАНИЕ: в случае установки колена 90° в трубопроводе забора воздуха для обеспечения правильной работы котла необходимо оставить между трубопроводами расстояние не меньше 0,50 м.

Примеры расчета потерь напора котла Brava Slim 30 BFT.

Аксессуары Ø 80 мм	Код	Кол-во	Потеря напора (мм вод. ст.)		
			Забор воздуха	Отвод дымовых газов	Всего
Удлинитель, L = 1000 мм (горизонтальный)	8077309	7	7 x 0,25	-	1,75
Удлинитель, L = 1000 мм (горизонтальный)	8077309	7	-	7 x 0,35	2,45
Колена 90°	8077410	2	2 x 0,45	-	0,90
Колена 90°	8077410	2	-	2 x 0,5	1,00
Наконечник для выхода через стену	8089501	2	0,2	0,8	1,00
ВСЕГО					7,10

(установка разрешена, поскольку суммарная потеря напора от всех используемых аксессуаров меньше 9,00 мм вод. ст.). При таком значении общих потерь необходимо снять с диафрагмы забора воздуха (2) сегменты от 1 до 6 включительно.

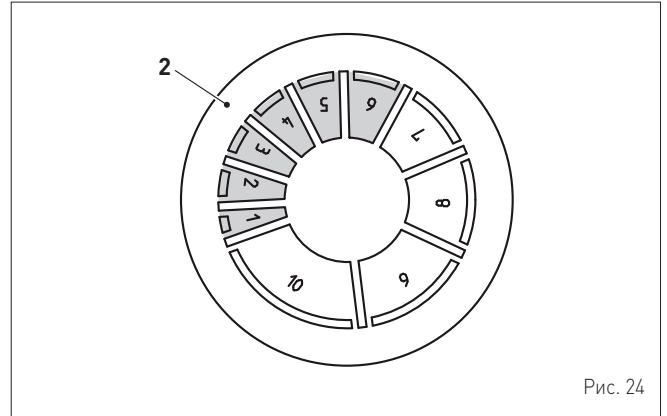


Рис. 24

Сегменты, которые необходимо снять	Общая потеря напора (мм вод. ст.)
	Brava Slim 30 BFT
Ни одного	0 ÷ 0,8
1	0,8 ÷ 1,5
1 ÷ 2	1,5 ÷ 2,4
1 ÷ 3	2,4 ÷ 3,2
1 ÷ 4	3,2 ÷ 4,0
1 ÷ 5	4,0 ÷ 4,8
1 ÷ 6	4,8 ÷ 5,6
1 ÷ 7	5,6 ÷ 6,5
1 ÷ 8	6,5 ÷ 7,3
1 ÷ 9	7,3 ÷ 7,8
1 ÷ 10	7,8 ÷ 8,4
Всю диафрагму	8,4 ÷ 9,5 (*)

(*) Максимальные допустимые потери напора.

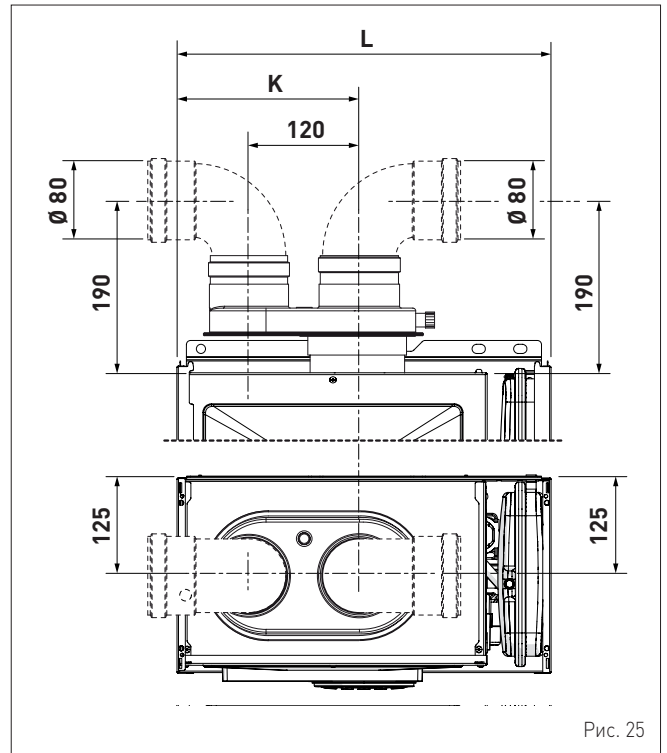


Рис. 25

Описание	Brava Slim 30 BFT
K (мм)	221
L (мм)	450

6.12 Электрические подключения

Котел поставляется в комплекте с уже подключенным кабелем питания, который необходимо включить в сеть электроснабжения ~230 В, 50 Гц.

В случае его замены необходимо заказать оригинальную запасную часть у **Sime**.

Таким образом, остается подключить только опционные компоненты, перечисленные в таблице. Последние поставляются по отдельному заказу.

ОПИСАНИЕ	КОД
Комплект датчика наружной температуры ($\beta=3435$, NTC 10 кОм при 25°C)	8094101
Кабель питания (специальный)	6323875
Пульт дистанционного управления HOME (open therm)	8092280
Пульт дистанционного управления HOME PLUS (open therm)	8092281



ПРЕДУПРЕЖДЕНИЕ!

Описанные ниже работы могут быть выполнены ИСКЛЮЧИТЕЛЬНО квалифицированным персоналом.



ВНИМАНИЕ

Перед началом описанных ниже работ:

- установите главный выключатель системы в положение "OFF" (выкл.)
- закройте газовый кран
- Кроме того, внимательно следите за тем, чтобы не прикасаться к горячим деталям внутри аппарата.

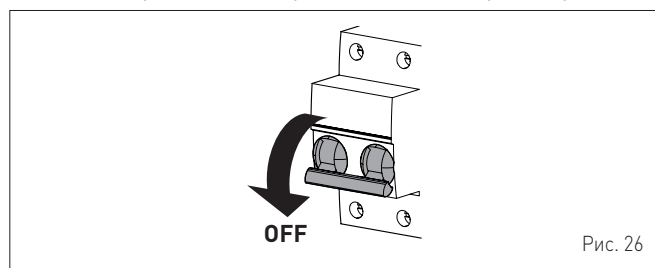


Рис. 26

Для монтажа электропроводки опционных компонентов внутри котла:

- отверните два винта (1), потяните вперед и подтолкните вверх переднюю панель (2)

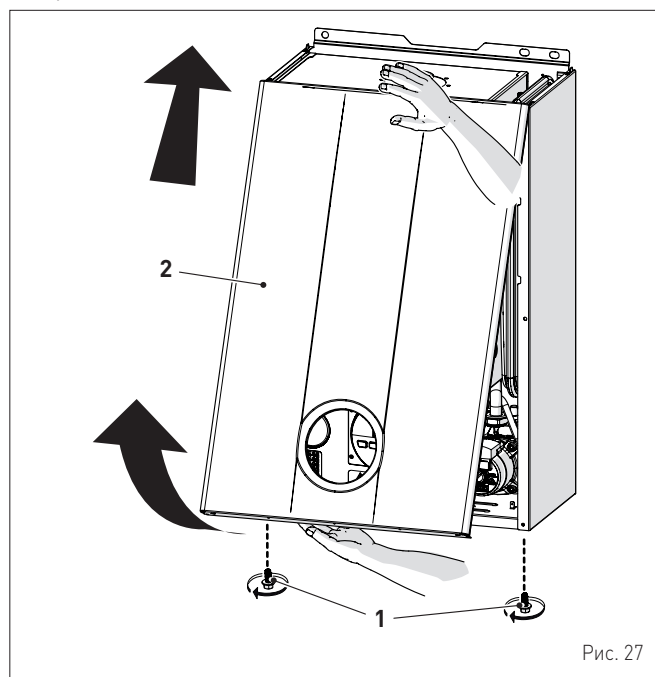


Рис. 27

- снимите крепежные винты (3) блока управления (4)
- переместите блок управления (4) вверх по боковым направляющим (5) до ограничителя хода (a)
- поверните его вперед (b) так, чтобы он оказался в горизонтальном положении

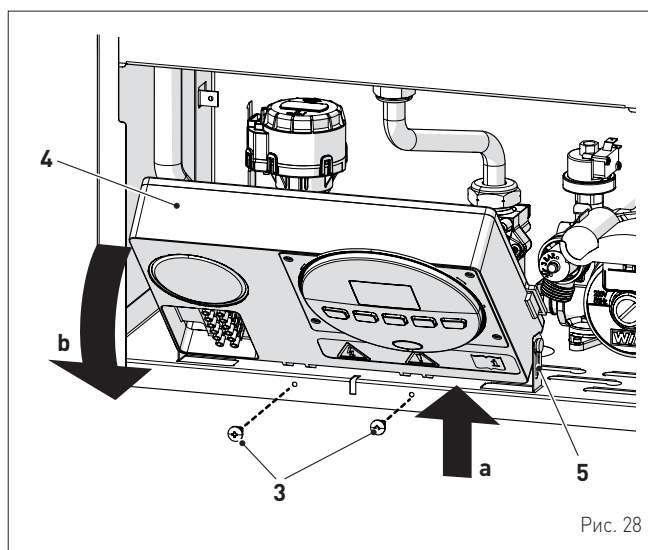


Рис. 28

- вставьте провода в гермоввод (6), а затем в отверстие (7) на блоке управления

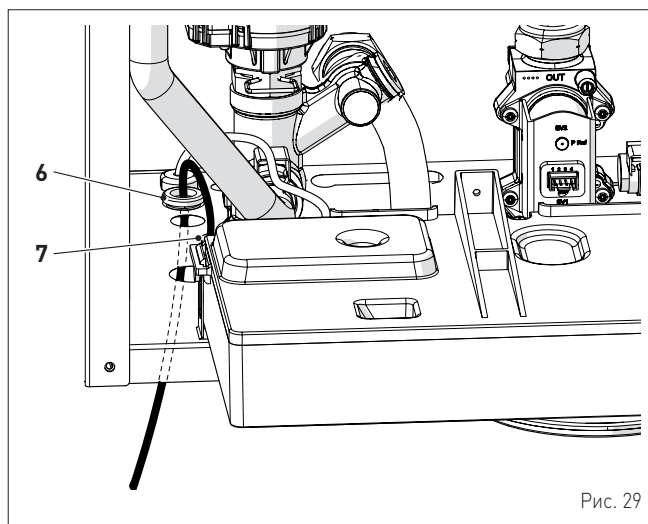


Рис. 29

- установите блок управления (4) в исходное положение и зафиксируйте предварительно снятыми винтами (3)
- подключите провода устройства к клеммной колодке (8) в соответствии с данными, указанными на табличке (9).

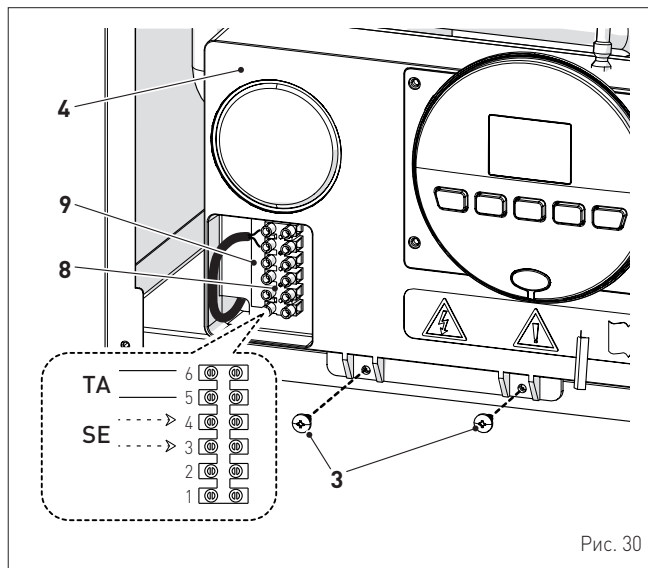


Рис. 30



ПРЕДУПРЕЖДЕНИЕ!

Обязательные условия:

- использование всеполюсного терромагнитного выключателя, сетевого разъединителя, соответствующего требованиям стандартов EN (размыкание контактов, по меньшей мере, 3 мм)
- в случае замены кабеля питания необходимо использовать ТОЛЬКО специальный кабель с разъемом, подключенным на заводе. Кабель должен быть заказан в качестве запчасти и подключен квалифицированным персоналом
- с помощью заземляющего кабеля подключите котел к надежной системе заземления
- перед началом любых работ на котле обесточьте аппарат, установив главный выключатель системы в положение "OFF" (выкл.).

(*) Производитель не несет ответственности за ущерб, полученный вследствие неподключения аппарата к системе заземления и нарушения электрических схем.



ЗАПРЕЩЕНО

Для заземления котла используйте водопроводные трубы.

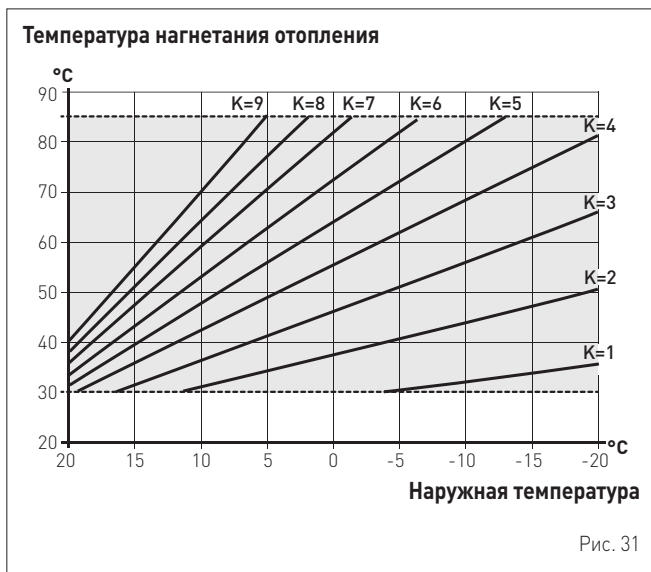
6.12.1 Датчик наружной температуры

В котле предусмотрена возможность подключения к нему датчика измерения наружной температуры.

Это означает, что температура на нагнетании отопления будет изменяться в зависимости от наружной температуры по заданной климатической кривой (см. климатические кривые на графике) (Рис. 31).

Чтобы установить датчик наружной температуры снаружи здания, выполните инструкции, нанесенные упаковке или вложенные внутрь.

Климатические кривые



ПРЕДУПРЕЖДЕНИЕ!

При наличии датчика наружной температуры для того, чтобы выбрать оптимальную климатическую кривую для системы отопления и задать график увеличения температуры воды на нагнетании отопления с учетом наружной температуры:

- нажмите кнопку IIII и удерживайте ее 1 секунду
- нажимайте кнопку + или - до тех пор, пока не выберете желаемую кривую K (в диапазоне K=0,0 ÷ K=9,0).

6.12.2 Программируемый или комнатный термостат

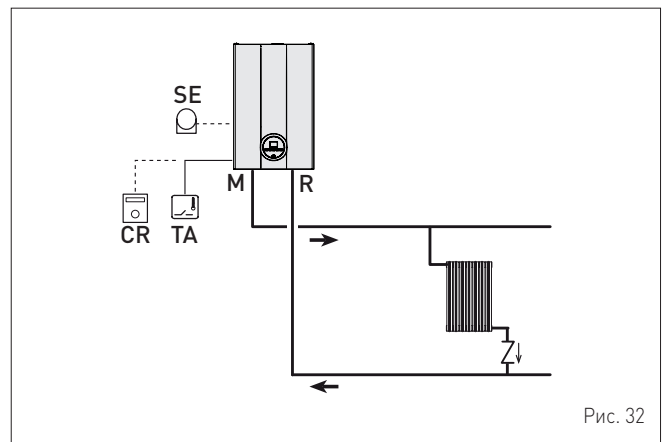
Электрическое подключение программируемого или комнатного термостата было описано выше. Чтобы установить компонент управляемой зоны, выполните инструкции на упаковке.

6.12.3 ПРИМЕРЫ использования устройств управления/контроля в некоторых вариантах системы отопления

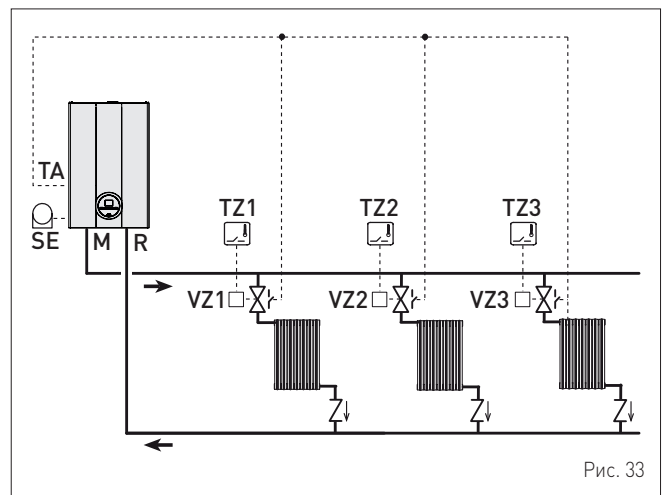
УСЛОВНЫЕ ОБОЗНАЧЕНИЯ

- M Нагнетание отопления
- R Возврат отопления
- CR Дистанционное управление
- SE Датчик наружной температуры
- TA Комнатный термостат активации котла
- TZ1÷TZ3 Зонный комнатный термостат
- VZ1÷VZ3 Зонные клапаны
- RL1÷RL3 Зонное реле
- P1÷P3 Зонные насосы
- TSB Низкотемпературный предохранительный термостат

ОДНОЗОННАЯ система отопления с датчиком наружной температуры и комнатным термостатом.



МНОГОЗОННАЯ система отопления с зонными клапанами, комнатными термостатами и датчиком наружной температуры.



ПРЕДУПРЕЖДЕНИЕ!

Установите параметр "PAR 17 = ЗАДЕРЖКА ВКЛЮЧЕНИЯ НАСОСА СИСТЕМЫ", чтобы открыть зонный клапан VZ.

МНОГОЗОННАЯ система отопления с насосами, комнатными термостатами и датчиком наружной температуры.

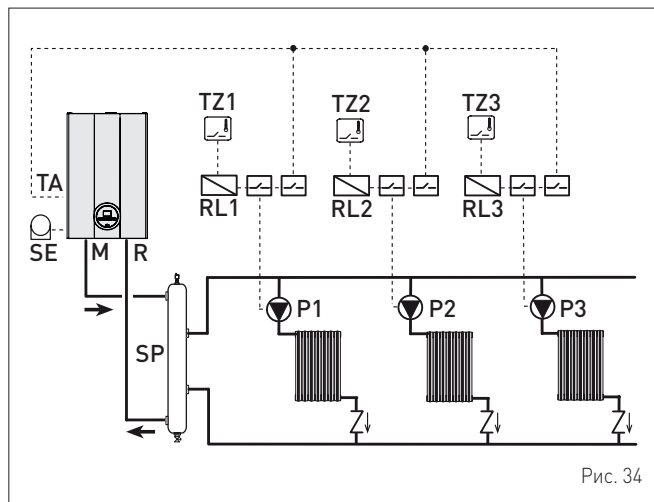


Рис. 34

6.13 Наполнение и опорожнение

Прежде чем приступить к выполнению описанных ниже действий, убедитесь, что главный выключатель системы отопления установлен в положение "ON" (вкл.). Это необходимо для того, чтобы контролировать на дисплее давление в системе отопления во время наполнения.

Убедитесь, что режим работы установлен в положение "Stand-by"; в противном случае, нажмите кнопку **OR** и удерживайте ее в течение 1 секунды, пока не выберете соответствующий режим.

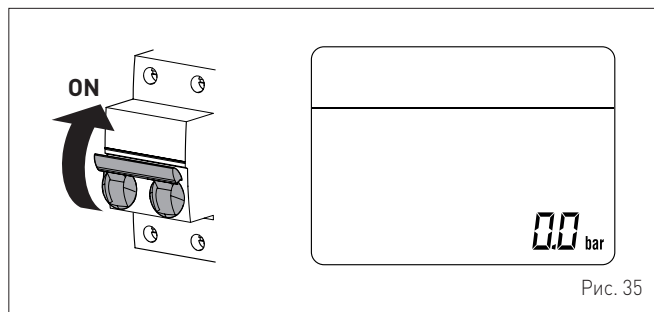


Рис. 35

6.13.1 Процедура НАПОЛНЕНИЯ

Котлы **Brava Slim BFT** не оснащены краном наполнения, который должен быть предусмотрен на возврате установки.

Демонтаж передней панели:

- отверните два винта (1), потяните вперед и подтолкните вверх переднюю панель (2).

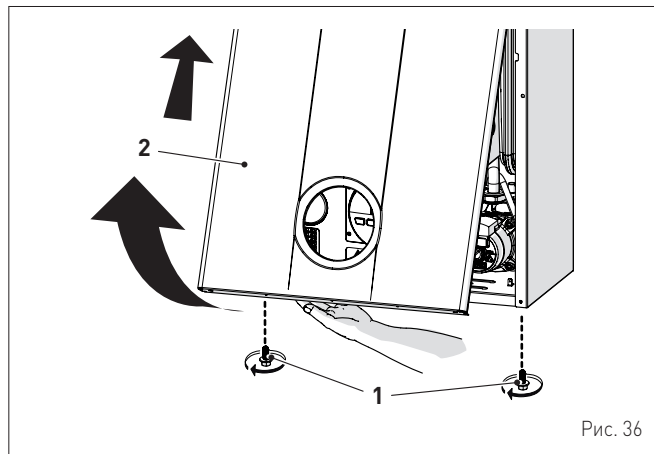


Рис. 36

Контур ГВС:

- откройте отсеchnый кран контура ГВС (если он установлен)
- откройте один или несколько кранов горячей воды, чтобы наполнить контур ГВС и выпустить из него воздух
- выпустив весь воздух из системы, закройте краны горячей воды.

Контур отопления:

- откройте отсеchnые и воздушные клапаны, расположенные в самых высоких точках системы
- ослабьте пробку автоматического воздушного клапана (3)
- откройте отсеchnый кран контура отопления (если он установлен)
- открыть загрузочный кран, который должен быть предусмотрен на возврате системы
- заполнить до выхода воды из воздуховыпускных клапанов и закрыть их
- продолжать заполнение до достижения давления **1-1,2 бар**, указанных на дисплее (4)
- закройте кран наполнения
- убедитесь, что в системе не осталось воздуха, открыв все батареи и контур в нескольких высоких точках установки
- снимите переднюю заглушку (5) насоса и проверьте отверткой, не заблокирован ли ротор
- установите заглушку (5) на место

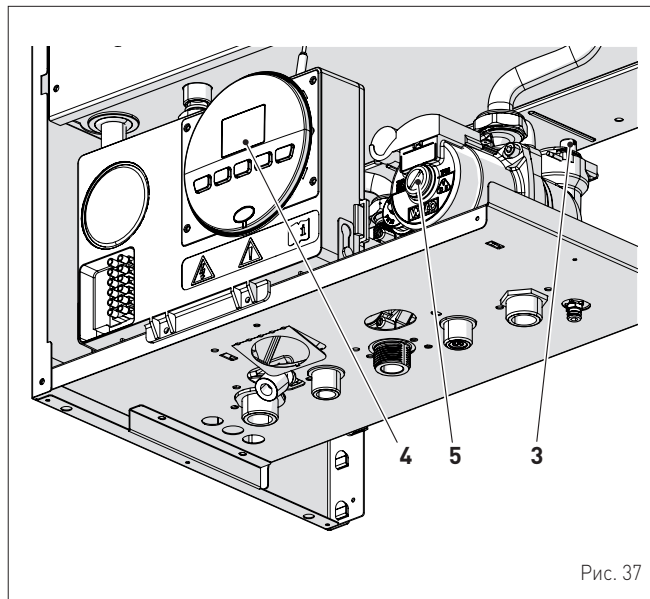


Рис. 37

ПРИМЕЧАНИЕ: для окончательного выпуска воздуха из системы вышеописанную процедуру рекомендуется повторить несколько раз.

- проверьте давление, отображенное на дисплее, и в случае необходимости доливайте воду до тех пор, пока оно не достигнет требуемого значения
- закройте пробку автоматического воздушного клапана (3).

Установите на место переднюю панель котла: зацепите ее сверху, потяните вниз и зафиксируйте, завернув снятые перед демонтажем винты (1).

6.13.2 Процедура ОПОРОЖНЕНИЯ

Контур ГВС:

- закройте отсечной кран контура ГВС (установленный при монтаже)
- откройте один или несколько кранов горячей воды, чтобы слить воду из контура ГВС.

Котел:

- ослабьте пробку автоматического воздушного клапана (3)
- закройте отсечные краны контура отопления (установленные при монтаже)
- проверьте, чтобы кран наполнения, предусмотренный на установке, был закрыт
- подсоедините к сливному крану котла (6) резиновый шланг и откройте кран
- по завершении слива закройте сливной кран (6)
- закройте пробку автоматического воздушного клапана (3).

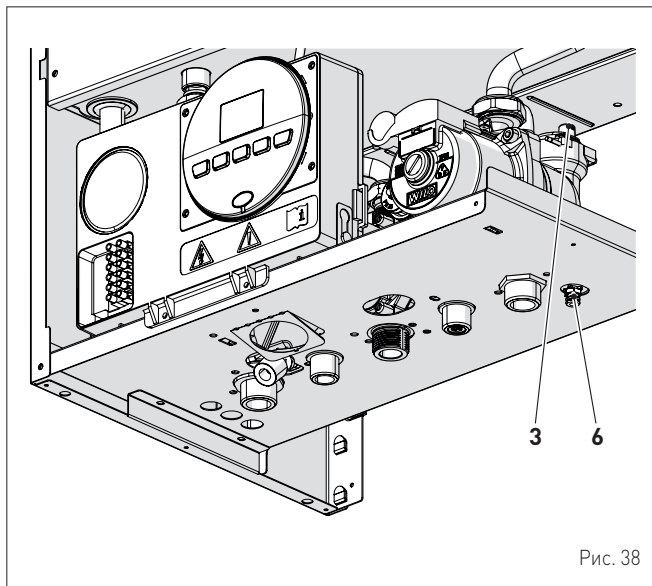


Рис. 38

7 ЗАПУСК КОТЛА

7.1 Предварительные работы



ВНИМАНИЕ

- При возникновении необходимости в доступе к зонам, расположенным в нижней части прибора, следует убедиться, что температура компонентов или труб системы не является высокой (опасность ожогов).
- Перед началом работ по доливке системы отопления надеть защитные перчатки.

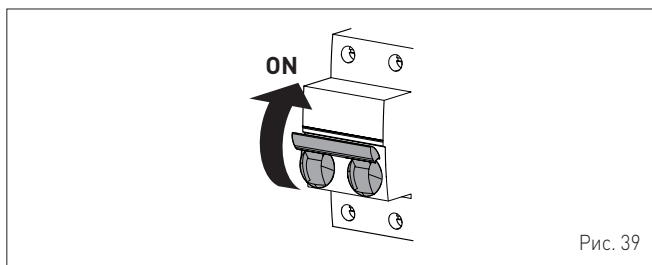
Перед тем как в первый раз запустить котел, убедитесь, что:

- котел совместим с подаваемым типом газа
- отсечные газовые краны, краны системы отопления и ГВС открыты
- ротор насоса свободно вращается.

7.2 Первый запуск котла

По завершении подготовительных работ запустите котел:

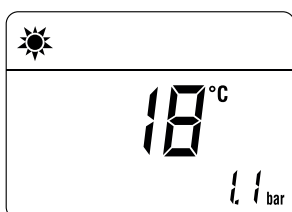
- установите главный выключатель системы в положение "ON" (вкл.)



- на дисплее отобразится тип газа, на который настроен котел: "nG" (метан) или "LG" (сжиженный газ), а затем мощность. После этого система проверит исправность отображения символов, и наконец на дисплее отобразится "- -"



- убедитесь, что отображенное на дисплее давление охлажденной системы находится в диапазоне **1 - 1,2 бар**
- чтобы выбрать режим "Лето" ☀️, нажмите кнопку **OR** и удерживайте ее, по меньшей мере, 1 секунду. На дисплее отобразится текущее значение температуры, измеренное датчиком на нагнетании



- откройте один или несколько кранов горячей воды. Котел будет работать на максимальной мощности до тех пор, пока краны не будут закрыты.

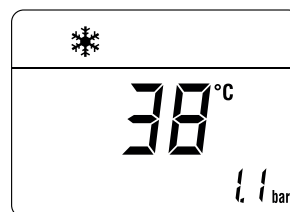
- при обнаружении неисправностей на дисплее отобразится надпись "ALL", код неисправности (например, "06" - пламя не обнаружено) и надпись **RESET** 🔄



ПРЕДУПРЕЖДЕНИЕ!

Для восстановления начальных условий нажмите и удерживайте более 3 секунд кнопку **OR**. Сброс можно произвести максимум 6 раз.

- закройте открытые краны и убедитесь, что котел прекратил работу
- чтобы выбрать режим "ЗИМА" ❄️, нажмите кнопку **OR** и удерживайте ее в течение 1 секунды. На дисплее отобразится текущее значение температуры воды в системе отопления

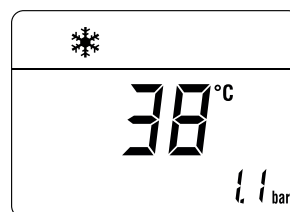


- с помощью комнатного термостата отдайте команду включить отопление и убедитесь, что котел исправно запускается и работает
- чтобы проверить давление в системе и на соплах, выполните процедуру, описанную в пункте "Функция "Трубочист"".

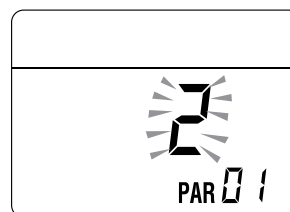
7.3 Отображение и настройка параметров



Для входа в меню параметров:



- в выбранном режиме работы (например, "ЗИМА")





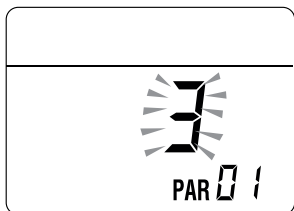
- нажмите одновременно кнопки **▲** и **|||** и удерживайте их около 5 секунд, пока на дисплее не отобразится код "PAR 01" (номер параметра) и установленное значение (0÷4)





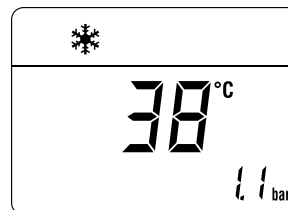
- нажмите кнопку , чтобы листать список параметров в сторону увеличения номера, и кнопку , чтобы листать в сторону уменьшения

ПРИМЕЧАНИЕ: нажав и удерживая кнопки  или , можно быстро пролистать параметры.

- после достижения желаемого параметра, для изменения установленного значения, в доступном диапазоне, следует нажать кнопки  или . Сохранение изменения происходит автоматически.



Завершив изменение значений всех нужных параметров, для выхода из меню **одновременно** нажмите и удерживайте в течение 5 с кнопки  и  до тех пор, пока на дисплее не отобразится начальная страница.

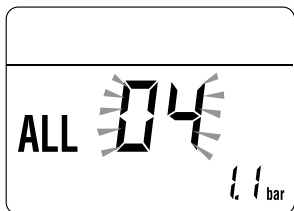


7.4 Список параметров

Тип	№	Описание	Диапазон	Единица измерения	Шаг	Заводские настройки
КОНФИГУРАЦИЯ						
PAR	01	Показатель мощности котла в кВт	1 = 30	-	1	1
PAR	02	Конфигурация гидравлической системы	0 = быстро нагрева 1 = водонагреватель с термостатом или только для системы отопления 2 = водонагреватель с датчиком 3 = битермический теплообменник 4 = быстро нагрева с входом солнечной установки	-	1	2
PAR	03	Тип газа	0 = G20 (метан); 1 = сжиженный газ	-	1	0 или 1
PAR	04	Конфигурация камеры сгорания	0 = герметичная (закрытая) камера с контролем сгорания 1 = открытая с дымовым термостатом 2 = Low NOx	-	1	0
PAR	08	Коррекция значения датчика наружной температуры	-5 .. +5	°C	1	0
ГВС - ОТОПЛЕНИЕ						
PAR	10	Пороговое значение защиты от замерзания котла	0 .. +10	°C	1	3
PAR	11	Пороговое значение защиты от замерзания датчика наружной температуры -- = выкл	-9 .. +5	°C	1	-2
PAR	12	Угол наклона рампы розжига в системе отопления	0 .. 80	-	1	20
PAR	13	Регулировка минимальной температуры отопления	20 .. PAR 14	°C	1	20
PAR	14	Регулировка максимальной температуры отопления	PAR 13 .. 80	°C	1	80
PAR	15	Максимальная мощность отопления	0 .. 100	%	1	100
PAR	16	Время пост-циркуляции насоса в системе отопления	0 .. 99	сек x 10	1	3
PAR	17	Задержка включения насоса в системе отопления	0 .. 60	сек x 10	1	0
PAR	18	Задержка повторного розжига	0 .. 60	мин	1	3
PAR	19	Регулировка потребления в системе ГВС с помощью расходомера	0 = выкл. 1 = вкл	-	1	1
PAR	20	Максимальная мощность водоснабжения	0 .. 100	%	1	100
PAR	21	Минимальная мощность отопления/водоснабжения (предварительное смешивание)	0 .. 100	%	1	0
PAR	22	Включение предварительного нагрева воды в режиме ГВС	0 = ВЫКЛ; 1 = ВКЛ	-	1	0
PAR	23	Режимы реле наружных компонентов 1	0 = не используется 1 = сигнал тревоги Н.О. контактов дистанционного управления 2 = сигнал тревоги Н.З. контактов дистанционного управления 3 = зональный клапан 4 = автоматическое наполнение 5 = включение отопления по запросу от наружных компонентов 6 = циркуляционный насос 7 = зональный клапан с ОТ 8 = подающий насос	-	-	0

Тип	№	Описание	Диапазон	Единица измерения	Шаг	Заводские настройки
PAR	24	Режимы реле наружных компонентов 2	0 = не используется 1 = сигнал тревоги Н.О. контактов дистанционного управления 2 = сигнал тревоги Н.З. контактов дистанционного управления 3 = зональный клапан 4 = автоматическое наполнение 5 = включение отопления по запросу от наружных компонентов 6 = циркуляционный насос 7 = зональный клапан с ОТ 8 = подающий насос	-	-	0
PAR	25	Режимы вспомогательного комнатного термостата	0 = второй комнатный термостат 1 = комнатный термостат в режиме защиты от замерзания 2 = система водопроводной воды отключена	-	1	0
PAR	26	Задержка включения зонного клапана / циркуляционного насоса	0 .. 99	мин	1	1
PAR	28	Задержка включения ГВС с солнечными панелями	0 .. 30	мин	1	0
PAR	29	Функция защиты от легионеллы (только водонагреватель) -- = выкл	50 .. 80	-	1	--
PAR	30	Максимальная температура водопроводной воды	35 .. 67	°C	1	60
PAR	35	Цифровое/аналоговое реле давления	0 = реле давления воды 1 = преобразователь давления воды 2 = преобразователь давления воды (только отображение давления) -- = без модуляции	-	1	1
PAR	40	Скорость модуляционного насоса	AU = автоматическая 30 .. 100	%	10	AU
PAR	41	ΔT нагнетание/возврат модуляционного насоса	10 .. 40	°C	1	20
PAR	47	Принудительное включение насоса системы отопления (только в режиме работы "Зима")	0 = выкл 1 = вкл	-	1	0
СБРОС						
PAR	48	Сброс параметров INST к заводским значениям	0 .. 1	-	-	0

В случае поломки/неисправной работы на дисплее будет отображаться надпись "ALL" и код аварийного сигнала, например: "ALL 04" (неисправность датчика ГВС).



Прежде чем приступить к устранению поломки:
– обесточьте аппарат, установив главный выключатель системы в положение "OFF" (выкл.)

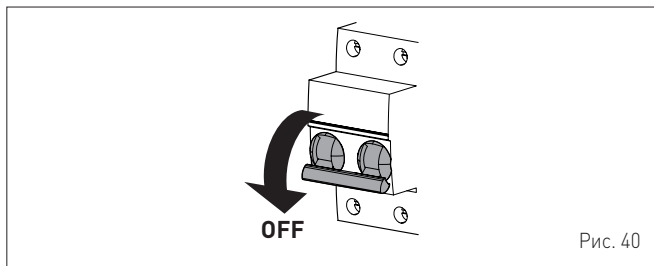


Рис. 40

– тщательно закройте отсечной топливный кран.

После этого устраните поломку и снова включите котел.

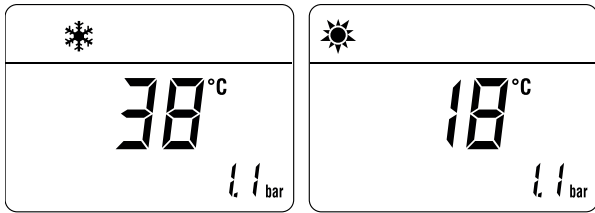
ПРИМЕЧАНИЕ: если на дисплее вместе с кодом аварийного сигнала отображается надпись **RESET** (см. рисунок), то после устранения поломки для запуска аппарата необходимо нажать и удерживать в течение 3 секунд кнопку **OR**.



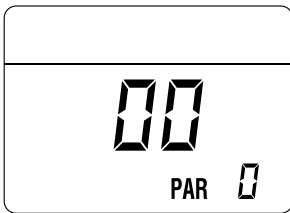
7.5 Отображение рабочих данных и показаний счетчиков

После запуска котла авторизованный специалист может вывести на дисплей рабочие показания и показания счетчиков, выполнив следующие действия:

- на странице установленного режима работы ("ЗИМА" ❄️ или "ЛЕТО" ☀️)

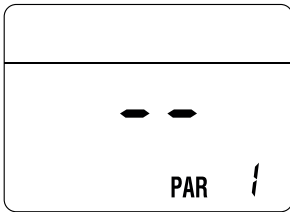


- зайти на страницу "ВИЗУАЛИЗАЦИЯ", нажимая **одновременно**, в течение более 3 секунд, кнопки и до отображения следующего экранного изображения

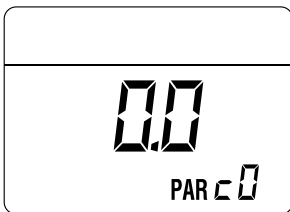


В этом положении можно:

- пролистать список "данных"(PAR) и "счетчиков"(PARc), нажав кнопку . Будут последовательно перелистаны все данные



- вывести на дисплей поступившие "аварийные сигналы" (максимум 10), нажав кнопку



- По отображенным спискам можно передвигаться с помощью кнопок или .

Просмотрев все интересующие данные, для выхода из меню нажмите и удерживайте в течение 5 с кнопку до тех пор, пока на дисплее не отобразится начальная страница.

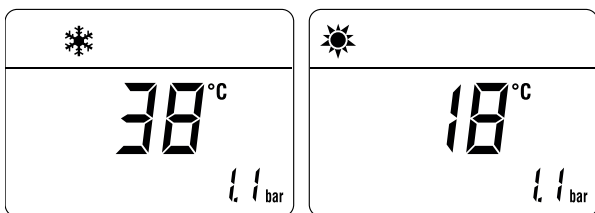


ТАБЛИЦА ОТОБРАЖЕНИЯ ДАННЫХ

Тип	№	Описание	Диапазон	Единица измерения	Шаг
PAR	00	Отображение версии ПО			
PAR	01	Отображение показаний датчика наружной температуры	- 9 .. 99	°C	1
PAR	02	Отображение показаний датчика температуры на нагнетании отопления 1	- 9 .. 99	°C	1
PAR	03	Отображение показаний датчика температуры на нагнетании отопления 2	- 9 .. 99	°C	1
PAR	04	Отображение показаний датчика температуры ГВС	- 9 .. 99	°C	1
PAR	05	Отображение показаний вспомогательного датчика AUX	- 9 .. 99	°C	1
PAR	06	Отображение УСТАНОВЛЕННОГО ЗНАЧЕНИЯ температуры отопления	Пар. 13 ... Пар. 14	°C	1
PAR	07	Отображение уровня мощности	0 .. 99	%	1
PAR	08	Отображение расхода по расходомеру	0 .. 99	l/min	0.1
PAR	09	Отображение показаний преобразователя давления воды (при его наличии)	0...99	бар	0.1

ТАБЛИЦА ОТОБРАЖЕНИЯ ПОКАЗАНИЙ СЧЕТЧИКОВ

Тип	№	Описание	Диапазон	Единица измерения	Шаг
PAR	c0	общее кол-во часов работы котла	0 .. 99	ч x 1000	0,1; от 0,0 до 9,9; 1; от 10 до 99
PAR	c1	общее кол-во часов работы горелки	0 .. 99	ч x 1000	0,1; от 0,0 до 9,9; 1; от 10 до 99
PAR	c2	общее кол-во розжигов горелки	0 .. 99	ч x 1000	0,1; от 0,0 до 9,9; 1; от 10 до 99
PAR	c3	общее кол-во неисправностей	0 .. 99	x 1	1
PAR	c4	общее кол-во доступов к параметрам PAR	0 .. 99	x 1	1
PAR	c5	общее кол-во доступов к параметрам OEM	0 .. 99	x 1	1
PAR	c6	время до следующего обслуживания	0 .. 99	месяцы	1
PAR	c7	визуализация общего количества выполненных калибровок	1 .. 199	x 1	1

ТАБЛИЦА ПОСТУПИВШИХ АВАРИЙНЫХ СИГНАЛОВ/СИГНАЛОВ О ПОЛОМКЕ

Тип	№	Описание
PAR	A0	Последний поступивший аварийный сигнал / сигнал о поломке
PAR	A1	Предпоследний поступивший аварийный сигнал / сигнал о поломке
PAR	A2	Третий с конца поступивший аварийный сигнал / сигнал о поломке
PAR	A3	Аварийный сигнал / сигнал о поломке, поступивший еще раньше
PAR	A4	Аварийный сигнал / сигнал о поломке, поступивший еще раньше
PAR	A5	Аварийный сигнал / сигнал о поломке, поступивший еще раньше
PAR	A6	Аварийный сигнал / сигнал о поломке, поступивший еще раньше
PAR	A7	Аварийный сигнал / сигнал о поломке, поступивший еще раньше
PAR	A8	Аварийный сигнал / сигнал о поломке, поступивший еще раньше
PAR	A9	Аварийный сигнал / сигнал о поломке, поступивший еще раньше

7.6 Проверки и регулировки

7.6.1 Функция "Трубочист"

Функция "Трубочист" необходима для квалифицированного специалиста по техническому обслуживанию для проверки давления газа на сопла, определения параметров горения и измерения КПД сгорания в соответствии с требованиями действующего законодательства.

Длительность включения функции - 15 минут. Чтобы активировать функцию, выполните следующие действия:

- если передняя панель (2) еще не снята, отверните два винта (1), потяните ее вперед и подтолкните вверх, чтобы отцепить сверху

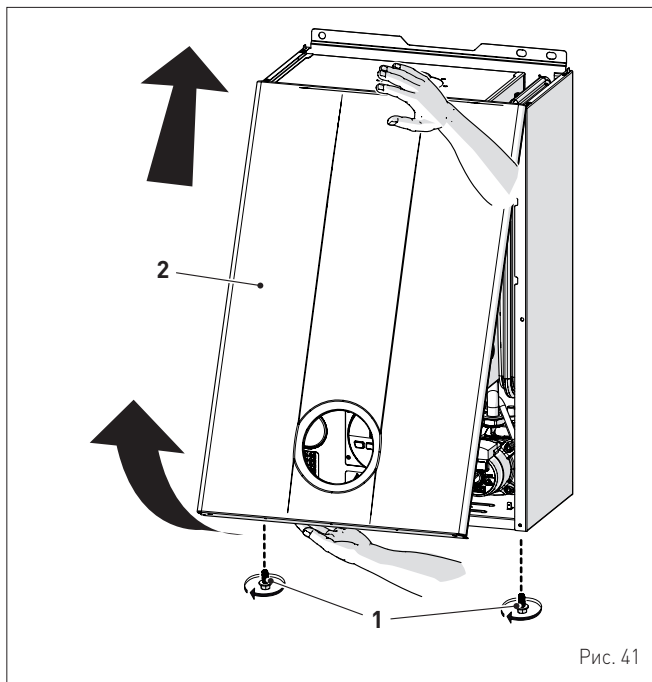


Рис. 41

- снимите крепежные винты (3) блока управления (4)
- переместите блок управления (4) вверх по боковым направляющим (5) до ограничителя хода (а)
- поверните его вперед (b) так, чтобы он оказался в горизонтальном положении

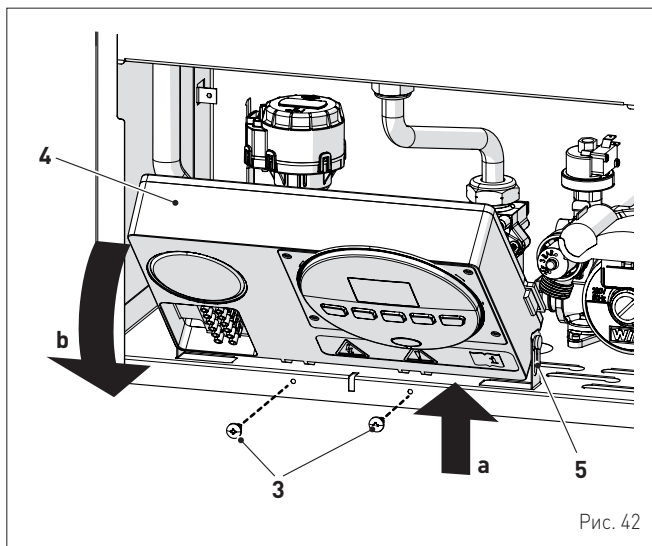


Рис. 42

- закройте газовый кран
- ослабьте винт в отверстии для измерения давления на соплах (6) и винт в отверстии для измерения давления подачи газа (7) и подключите к каждому отверстию манометр

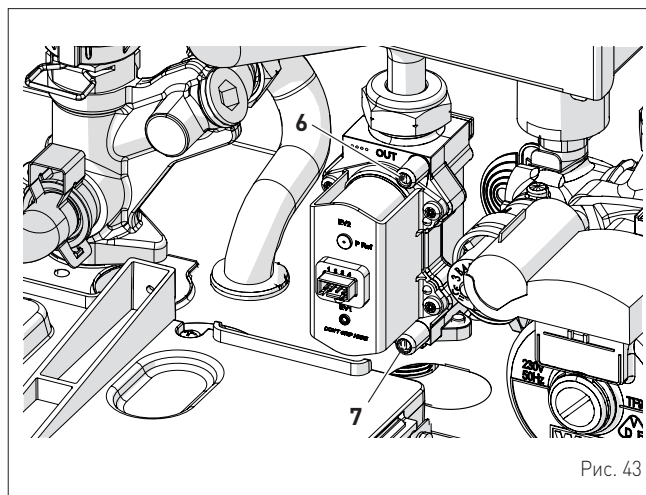


Рис. 43

- откройте газовый кран
- включите электропитание котла, установив главный выключатель в положение "ON" (вкл.)

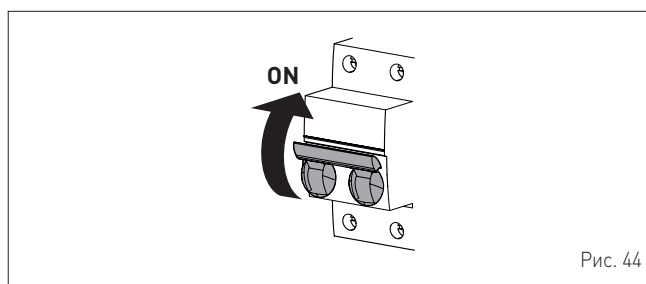
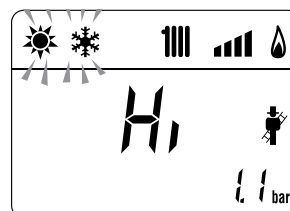
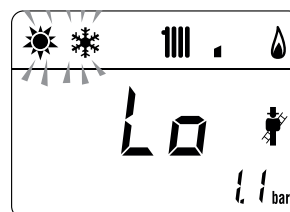


Рис. 44

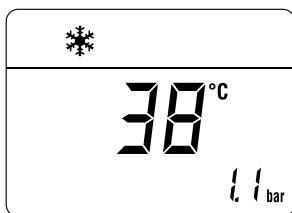
- нажав и удерживая в течение 1 секунды кнопку , выберите режим "ЛЕТО"
- одновременно нажмите и удерживайте около 10 с кнопки **-** и **+**, пока на дисплее не загорится надпись "Hi" с мигающими символами и



- **откройте один или несколько кранов горячей воды**
- нажмите кнопку **+**, чтобы запустить котел на полную мощность "Hi", и убедитесь, что давление газа на манометре соответствует значениям, указанным в таблице
- нажмите клавишу **+**, чтобы запустить котел на минимальной мощности "Lo" и убедитесь, что давление газа на манометре соответствует значениям, указанным в таблице. На дисплее горит ровным светом надпись "Lo", а символы и мигают



- нажмите еще раз кнопку **+**, чтобы снова запустить котел на максимальной мощности. Если значения давления газа правильны, можно приступить к определению параметров горения и измерению КПД горения, предусмотренному требованиями действующего законодательства
- нажмите кнопку **OR**, чтобы выйти из режима "Трубочист". На дисплее отобразится температура воды на нагнетании котла



- закройте открытые краны и убедитесь, что котел прекратил работу
- отключите манометры, тщательно закройте отверстия для измерения давления (6) и (7), установите на место блок управления и переднюю панель (2).

Давление подачи газа

Тип газа	G20	G30	G31
Давление (мбар)	20	28-30	37

Системы с ДВУХТРУБНЫМ дымоходом

Модель	Тепловая мощность	Давление на сопла (мбар)		
		G20	G30	G31
Brava Slim 30 BFT	Макс	12,5 - 12,9	27,8 - 28,2	35,8 - 36,2
	мин	0,6 - 0,9	2,6 - 2,9	3,4 - 3,7

Системы с КОАКСИАЛЬНЫМ дымоходом

Модель	Тепловая мощность	Давление на сопла (мбар)		
		G20	G30	G31
Brava Slim 30 BFT	Макс	12,9 - 13,3	27,8 - 28,2	35,8 - 36,2
	мин	1,4 - 1,7	3,8 - 4,1	4,8 - 5,1

Если же измеренные значения давления газа отличаются от значений, указанных в таблице, необходимо отрегулировать давление газа на сопла, выполнив действия, описанные в следующем пункте.

7.6.2 Регулирование давления газа на сопла



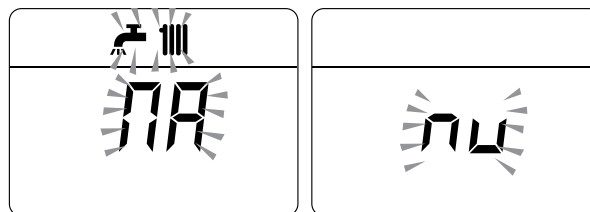
ПРЕДУПРЕЖДЕНИЕ!

Предварительные условия:

- передняя панель (2) должна быть уже снята, а отверстие (6) подключено к манометру
- главный выключатель системы установлен в положение "ON" (вкл.)
- подача топлива открыта
- котел не должен производить тепло (в режиме "Лето" ☀️ краны горячей воды должны быть закрыты, в режиме "Зима" ❄️ комнатные термостаты должны быть открыты)
- описанные выше регулировки необходимо выполнять последовательно.

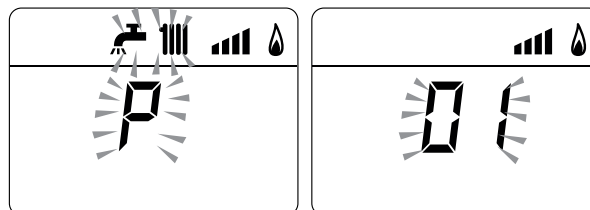
Регулировка макс. давления газа:

- нажмите кнопку **+** и с помощью кнопки **+** установите ЗАДАННУЮ ТЕМПЕРАТУРУ ГВС на максимальное значение
- одновременно нажмите и удерживайте в течение около 6 секунд кнопки **+** и **OR**, пока на дисплее не отобразится надпись "MA", загорающаяся поочередно с "nu"



- откройте один или несколько кранов горячей воды

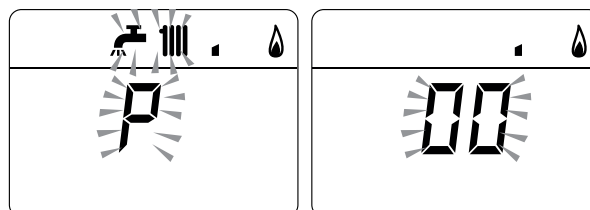
- котел запустится, и на дисплее отобразится параметр "P01" (Регулировка макс. давления)



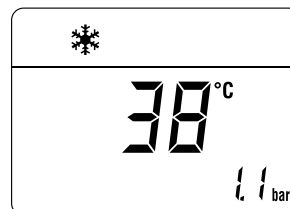
- нажмите и удерживайте кнопку **+** о **-**, пока не увидите на манометре значение давления, указанное в таблице
- по достижении табличного значения нажмите и удерживайте кнопку **OR** около 2 секунд, чтобы подтвердить значение, которое мигнет 1 раз.

Регулировка мин. давления газа:

- нажмите 2 раза кнопку **+**, на дисплее отобразится параметр "P00"



- нажмите и удерживайте кнопку **+** о **-**, пока не увидите на манометре значение давления, указанное в таблице
- по достижении табличного значения нажмите и удерживайте кнопку **OR** около 2 секунд, чтобы подтвердить значение, которое мигнет 1 раз.
- одновременно нажмите и удерживайте в течение около 6 секунд кнопки **+** и **OR**, пока на дисплее не отобразится температура воды на нагнетании и котел не выключится
- закройте предварительно открытые краны.



7.7 Смена типа питающего газа

В моделях **Brava Slim BFT** можно перейти с питания метаном G20 на питание сжиженным газом G30/G31, установив "комплект сопел для G30/G31 (сжиженного газа), код 5144713 (для **Brava Slim 30 BFT**) который необходимо заказать отдельно.



ПРЕДУПРЕЖДЕНИЕ!

Описанные ниже работы могут быть выполнены **ИСКЛЮЧИТЕЛЬНО** квалифицированным персоналом.



ВНИМАНИЕ

Перед началом описанных ниже работ:

- установите "главный выключатель системы в положение "OFF" (выкл.)
- закройте газовый кран
- Кроме того, внимательно следите за тем, чтобы не прикасаться к горячим деталям внутри аппарата.

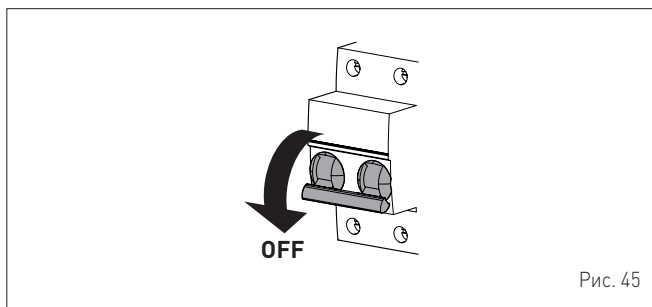


Рис. 45

7.7.1 Предварительные работы

Чтобы приспособить котел к другому типу газа:

- отверните два винта (1), потяните вперед и подтолкните вверх переднюю панель (2)

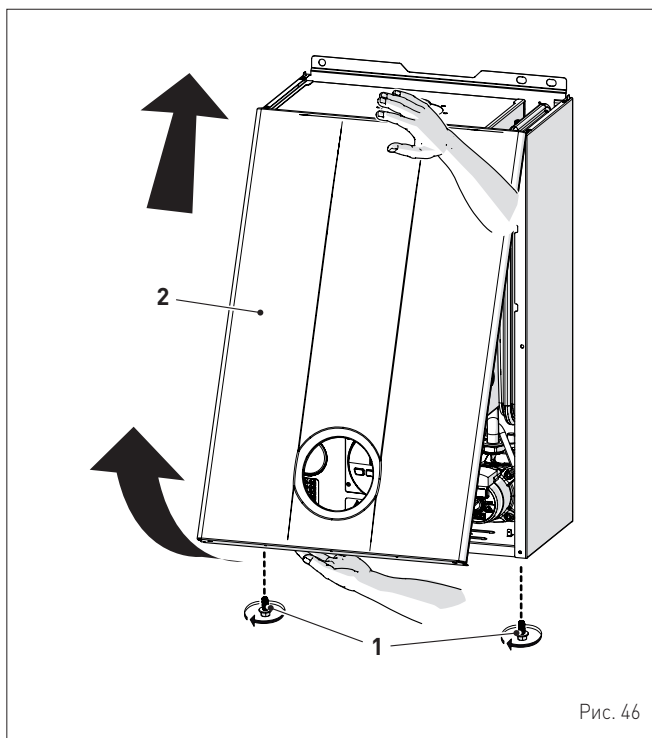


Рис. 46

- отверните четыре винта (3) и снимите переднюю панель герметичной камеры

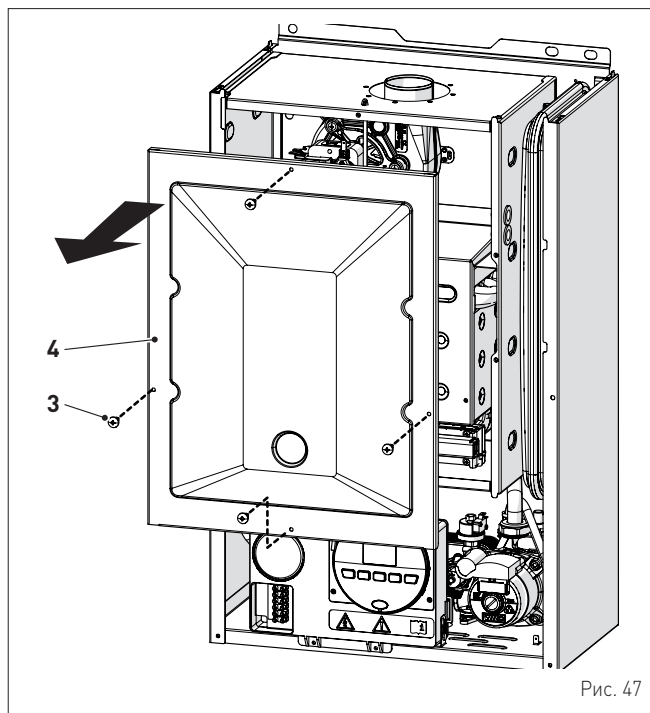


Рис. 47

- отверните четыре винта (5) и снимите переднюю панель (6) камеры сгорания, действуя с предельной осторожностью, чтобы не повредить уплотнительную прокладку и изоляцию панели

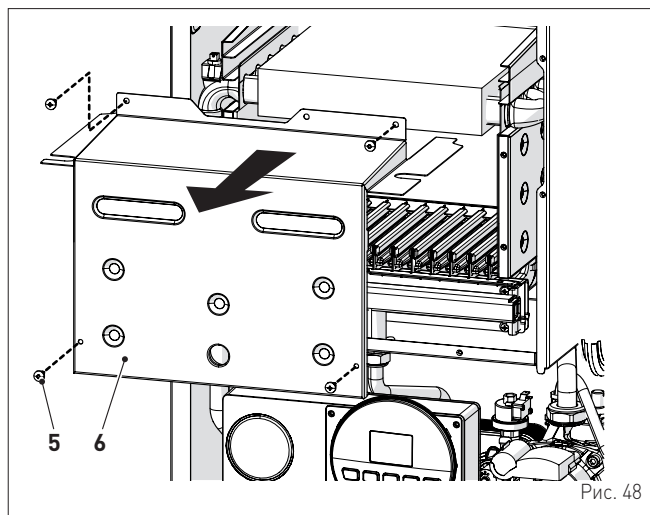


Рис. 48

- отверните винты (7) и вытяните электрод (8)
- открутите гайку (9) и контргайку (10)
- отверните винты (11)
- снимите газовый коллектор (10) и замените сопла, установленные на заводе, на сопла поставленные в дополнительном комплекте, установив между ними уплотнительные прокладки

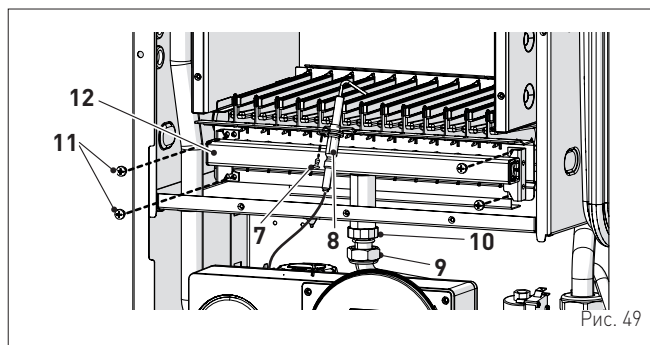


Рис. 49

- установите на место газовый коллектор (12), зафиксировав его винтами (11)

- закрутите контргайку (10) и гайку (9), установив между ними уплотнительную прокладку
- установите на место электрод (6), разместив его концы **ПОСЕРЕДИНЕ** рампы горелки (*)
- убедитесь, что прокладка и изоляция передней панели (6) камеры сгорания и прокладка (13) передней панели (4) герметичной камеры не повреждены. В противном случае замените их
- установите на место панели (6) и (4), зафиксировав их соответствующими крепежными винтами



ПРЕДУПРЕЖДЕНИЕ! (*)

Положение электрода имеет большое значение для исправного обнаружения тока ионизации.

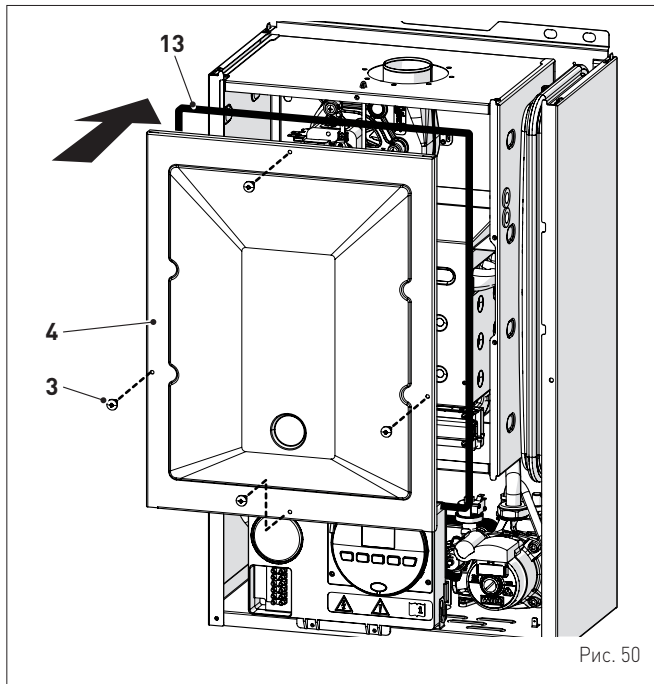


Рис. 50

- к паспортной табличке (14), расположенной с внутренней стороны передней панели, приклейте этикетку с указанием типа питающего газа
- выполните "Процедура автоматической настройки" а затем установите на место переднюю панель (2), зафиксировав ее двумя винтами (1).

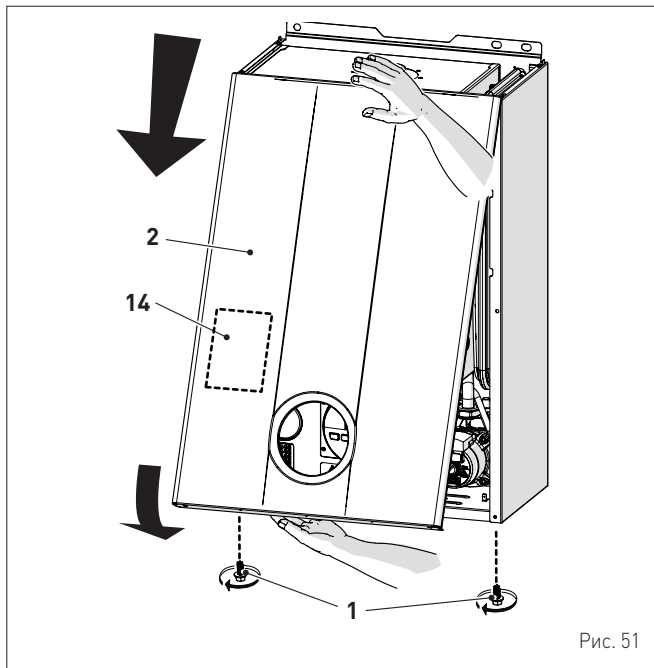


Рис. 51

7.8 Процедура автоматической настройки

Данная процедура **ДОЛЖНА ВСЕГДА ОСУЩЕСТВЛЯТЬСЯ** при первом включении, при смене газа и после замены:

- сопел при смене типа питающего газа
- газового клапана при его отказе
- электронной платы управления при ее отказе
- электрод
- вентилятор
- горелка

Процедура необходима для идентификации новых компонентов и обеспечения их связи с компонентами, уже установленными в котле.



ПРЕДУПРЕЖДЕНИЕ!

Предварительные условия:

- передняя панель снята, блок управления повернут вперед, к отверстиям (6) и (7) газового клапана подключены манометры
- главный выключатель системы установлен в положение "ON" (вкл.)
- подача топлива открыта
- котел не должен производить тепло (в режиме "Лето" ☀️ краны горячей воды должны быть закрыты, в режиме "Зима" ❄️ комнатные термостаты должны быть открыты)
- описанные выше регулировки необходимо выполнять последовательно.

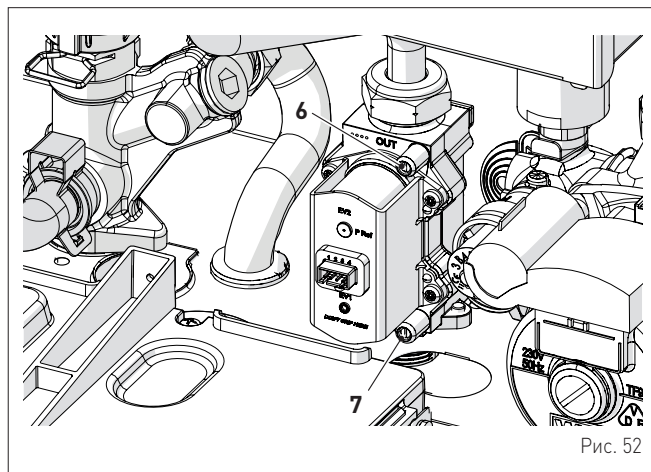
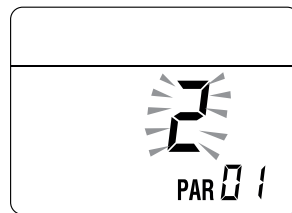


Рис. 52

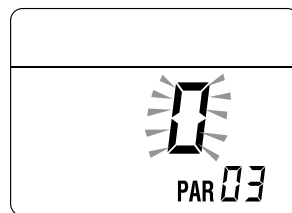
Процедура, которую необходимо выполнить в случае СМЕНЫ ТИПА ПИТАЮЩЕГО ГАЗА

- зайдите в меню параметров, нажимая одновременно кнопки и и удерживайте их около 5 секунд, пока на дисплее не отобразится код "PAR 01" (номер параметра) и мигающее установленное значение (0÷4)

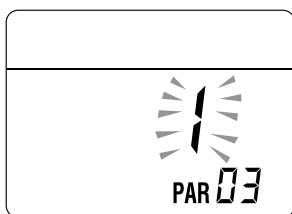


ПРИМЕЧАНИЕ: нажав и удерживая кнопки или , можно быстро пролистать параметры. С помощью кнопки можно вернуться к предыдущим параметрам.

- нажав и удерживая кнопку , пролистайте параметры до параметра "03"



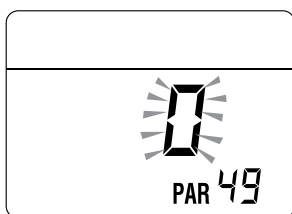
- нажмите кнопку **+** и выберите "1" (сжиженный газ)



Процедура, которую НЕОБХОДИМО выполнить потом:

- сопел при смене типа питающего газа
- смена газового клапана при его отказе
- замена электронной платы управления при ее отказе
- электрод
- вентилятор
- горелка

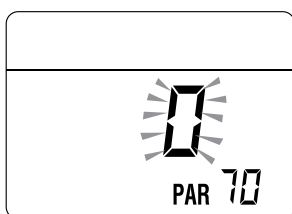
- войдите в меню параметров (если вы еще в него не вошли), нажав одновременно кнопки и , удерживайте их около 5 секунд, пока на дисплее не отобразится код "PAR 01" (номер параметра) и мигающее установленное значение (0÷4)
- нажав и удерживая кнопку , пролистайте параметры до параметра "PAR 49"



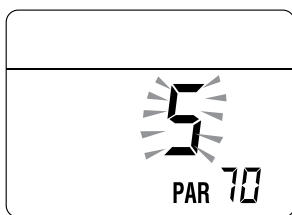
- нажав и удерживая кнопку **+**, измените значение на "49"



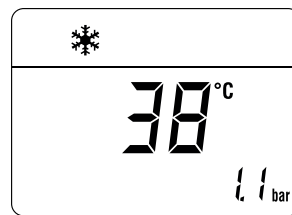
- измененное значение будет сохранено в памяти автоматически
- нажав и удерживая кнопку , пролистайте параметры до параметра "PAR 70"



- с помощью кнопки **+** измените значение на "5"
- измененное значение будет сохранено в памяти автоматически



- выйдите из меню параметров, **одновременно** нажав и удерживая около 5 секунд кнопки и , пока на дисплее не отобразится температура на нагнетании.

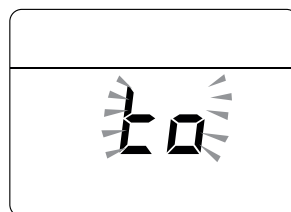
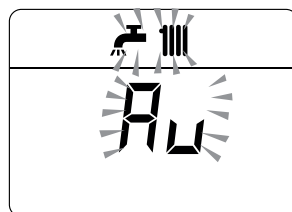


ВАЖНОЕ ПРИМЕЧАНИЕ!

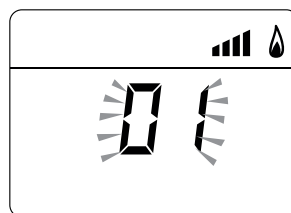
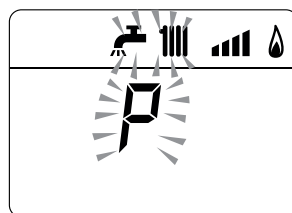
Чтобы завершить работу, необходимо **ОБЯЗАТЕЛЬНО** выполнить следующую процедуру.

Регулировка макс. давления газа:

- с помощью кнопки выберите режим "ЛЕТО"
- нажмите кнопку и с помощью кнопки **+** установите ЗАДАННУЮ ТЕМПЕРАТУРУ ГВС на максимальное значение
- одновременно нажмите и удерживайте в течение около 6 секунд кнопки **+** и , пока на дисплее не отобразится надпись "Au", загорающаяся поочередно с "to"



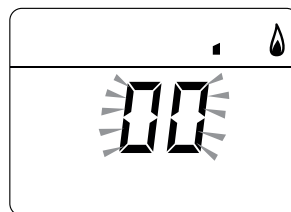
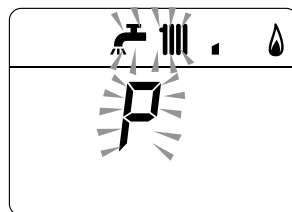
- **откройте один или несколько кранов горячей воды**
- котел запустится, и на дисплее отображается параметр "P01" (Регулировка макс. газового давления)



- нажмите и удерживайте кнопку **+** о **-**, пока не увидите на манометре значение давления, указанное в таблице
- по достижении табличного значения нажмите и удерживайте кнопку около 2 секунд, чтобы подтвердить значение, которое мигнет 1 раз.

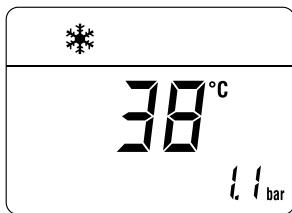
Регулировка мин. давления газа:

- нажмите 2 раза кнопку , на дисплее отобразится параметр "P00"



- нажмите и удерживайте кнопку **+** о **-**, пока не увидите на манометре значение давления, указанное в таблице
- по достижении табличного значения нажмите и удерживайте кнопку около 2 секунд, чтобы подтвердить значение, которое мигнет 1 раз

- одновременно нажмите и удерживайте около 6 секунд кнопки **+** и **ON**, пока на дисплее не отобразится температура воды на нагревании и котел не выключится



- закройте предварительно открытые краны
- отключите манометры, тщательно закройте отверстия для измерения давления (6) и (7), установите на место блок управления и переднюю панель.

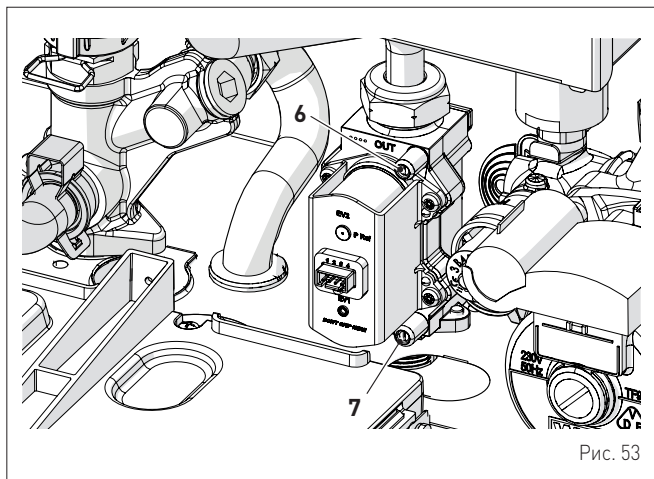


Рис. 53

Давление подачи газа

Тип газа	G20	G30	G31
Давление (мбар)	20	28-30	37

Системы с ДВУХТРУБНЫМ дымоходом

Модель	Тепловая мощность	Давление на сопла (мбар)		
		G20	G30	G31
Brava Slim 30 BFT	Макс	12,5 - 12,9	27,8 - 28,2	35,8 - 36,2
	мин	0,6 - 0,9	2,6 - 2,9	3,4 - 3,7

Системы с КОАКСИАЛЬНЫМ дымоходом

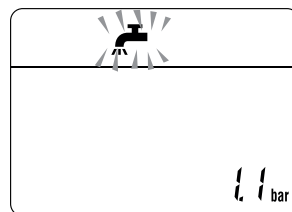
Модель	Тепловая мощность	Давление на сопла (мбар)		
		G20	G30	G31
Brava Slim 30 BFT	Макс	12,9 - 13,3	27,8 - 28,2	35,8 - 36,2
	мин	1,4 - 1,7	3,8 - 4,1	4,8 - 5,1

7.9 Функция предварительного нагрева воды в системе ГВС

Модели **Brava Slim BFT** оснащены функцией предварительного нагрева воды в режиме ГВС, которая обеспечивает оптимальную работу ГВС, уменьшая время ожидания горячей воды и гарантируя стабильность температуры.

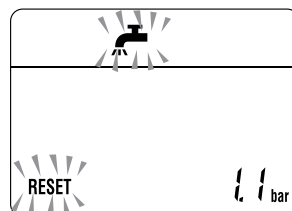
Чтобы включить функцию:

- выберите параметр **"PAR 22"** (см. **"Отображение и настройка параметров"**) и установите его значение на **1**
- выйдя из меню настроек параметров, нажмите и удерживайте в течение 5 секунд кнопку **+**, пока на дисплее не начнет мигать символ в подтверждение успешного включения функции.



Чтобы отключить функцию:

- снова нажмите и удерживайте в течение 5 секунд кнопку **+**, пока на дисплее не начнут мигать символы и **RESET** в подтверждение отключения функции.



8 ТЕХНИЧЕСКОЕ ОБСЛУЖИВАНИЕ

8.1 Уход

Для обеспечения эффективной и исправной работы котла рекомендуется заключить договор на **ЕЖЕГОДНОЕ** техническое обслуживание с квалифицированным специалистом.



ПРЕДУПРЕЖДЕНИЕ!

- Описанные ниже работы должны выполняться **ИСКЛЮЧИТЕЛЬНО** квалифицированным персоналом с **ОБЯЗАТЕЛЬНЫМ** использованием надлежащих средств защиты.
- Убедитесь, что температура компонентов или труб системы не является высокой (опасность ожогов).



ВНИМАНИЕ

Перед началом описанных ниже работ:

- установите главный выключатель системы в положение "OFF" (выкл.)
- закройте газовый кран
- Кроме того, внимательно следите за тем, чтобы не прикасаться к горячим деталям внутри аппарата.

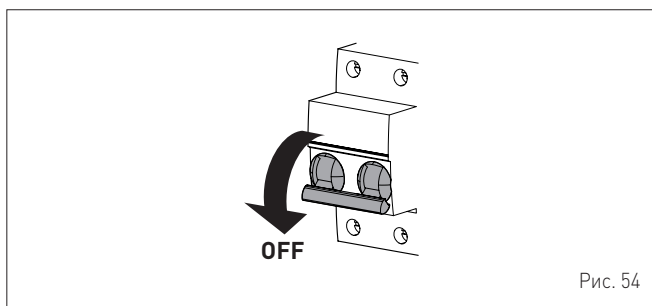


Рис. 54

8.2 Наружная чистка

8.2.1 Чистка панелей корпуса

Для чистки панелей корпуса используйте смоченную в мыльном растворе ткань. Для устранения стойких пятен можно использовать раствор воды со спиртом.



ЗАПРЕЩЕНО

использовать абразивные вещества.

8.3 Внутренняя чистка

8.3.1 Чистка теплообменника

Чтобы приступить к чистке теплообменника:

- отверните два винта (1), потяните вперед и подтолкните вверх переднюю панель (2)

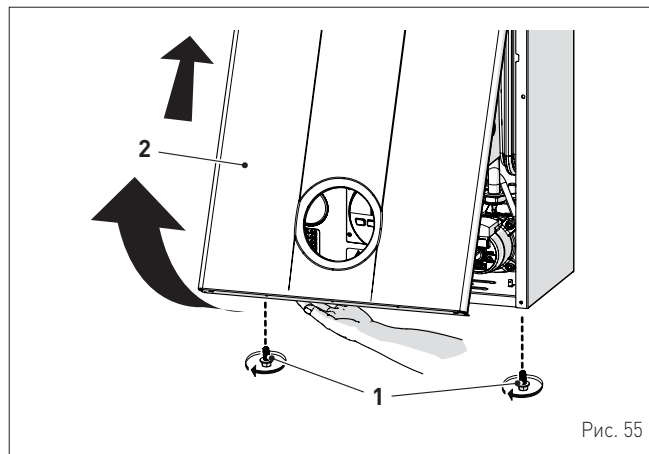


Рис. 55

- отверните четыре винта (3) и снимите переднюю панель герметичной камеры

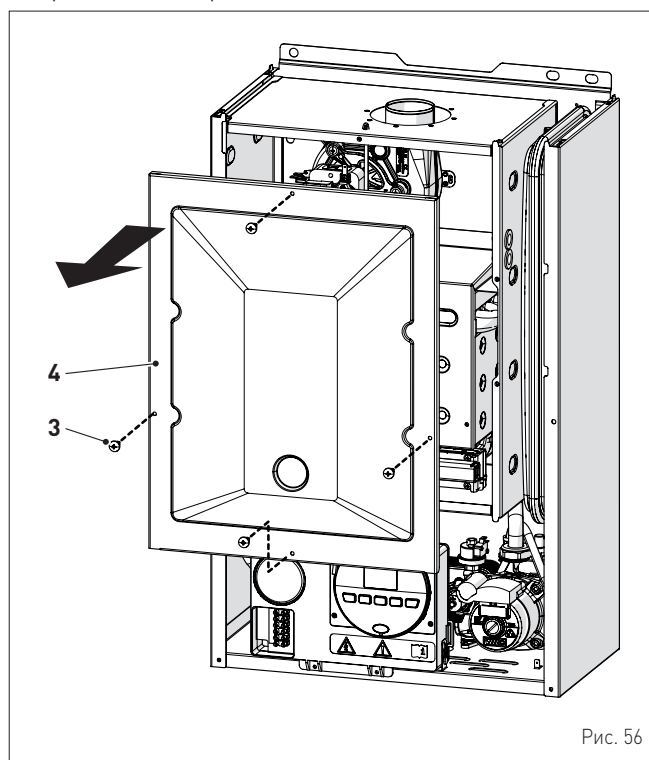


Рис. 56

- отверните четыре винта (5) и снимите переднюю панель (6) камеры сгорания, действуя с предельной осторожностью, чтобы не повредить уплотнительную прокладку и изоляцию панели

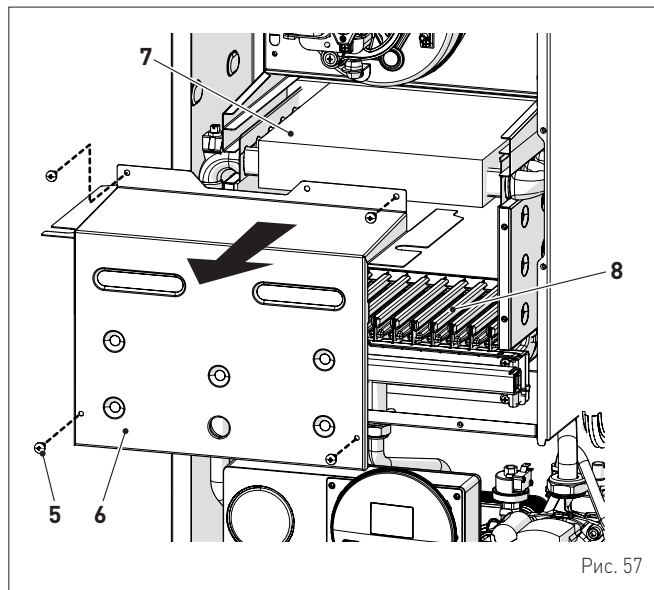


Рис. 57

- при наличии грязевых отложений на пластинах теплообменника (7), накройте все ramпы горелки (8) тканью или газетой и почистите теплообменник (7) кистью из щетины.

8.3.2 Чистка горелки

Горелка не нуждается в специальном техническом обслуживании. Достаточно очистить ее от пыли с помощью кисти из щетины.

8.3.3 Проверка электрода розжига / обнаружения пламени

Проверьте состояние электрода розжига / обнаружения пламени и замените его в случае необходимости. Независимо от того, есть ли необходимость в замене электрода розжига / обнаружения пламени или нет, убедитесь, что указанные на рисунке расстояния соблюдены.

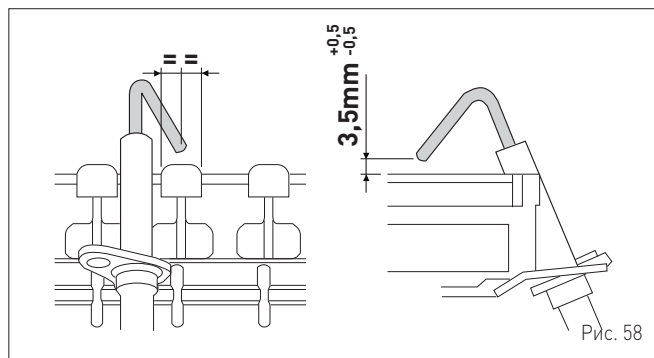


Рис. 58



ПРЕДУПРЕЖДЕНИЕ!

Положение электрода имеет большое значение для исправного обнаружения тока ионизации.

8.3.4 Заключительные работы

Закончив чистку теплообменника и горелки:

- удалите пылесосом остатки сажи
- убедитесь, что прокладка и изоляция передней панели (6) камеры сгорания и прокладка (13) передней панели (4) герметичной камеры не повреждены. В противном случае замените их
- установите на место панели (6) и (4), зафиксировав их соответствующими крепежными винтами.

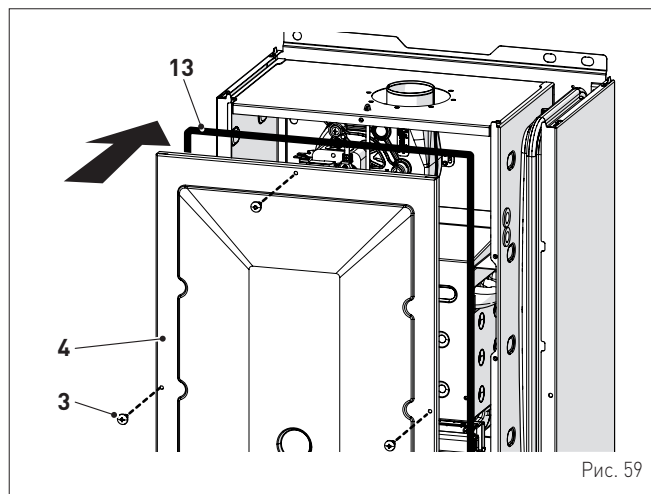


Рис. 59

8.4 Проверки

8.4.1 Проверка трубопроводов системы отвода газовых дымов и забора воздуха горения

Рекомендуется периодически проверять трубопроводы отвода газовых дымов и забора воздуха горения на герметичность и отсутствие повреждений.

8.4.2 Проверка нагнетания давления расширительного бака

Рекомендуется периодически сливать воду из расширительного бака и контролировать предварительное давление, которое не должно опускаться ниже **1 бар**. В противном случае, необходимо увеличить давление до необходимого значения (см. пункт "**Расширительный бак**").

По завершении описанных выше проверок:

- снова наполните котел, повторив процедуру, описанную в пункте "**Процедура НАПОЛНЕНИЯ**"
- запустите котел и произведите анализ дымовых газов и/или КПД сгорания.
- установите на место переднюю панель, зафиксировав ее двумя снятыми ранее винтами

8.5 Внеочередное техобслуживание

В случае замены **электронной платы**, следует **ОБЯЗАТЕЛЬНО** устанавливать параметры в соответствии с указаниями таблицы.

Тип	№	Описание	Установка для Brava Slim BFT
			30
PAR	01	Показатель мощности котла в кВт 1 = 30	1
PAR	02	Конфигурация гидравлической системы 0 = быстрого нагрева 1 = водонагреватель с термостатом или только для системы отопления 2 = водонагреватель с датчиком 3 = битермический теплообменник 4 = быстрого нагрева с входом солнечной установки	2
PAR	03	Тип газа 0 = G20 (метан); 1 = сжиженный газ	0 или 1
PAR	04	Конфигурация камеры сгорания 0 = герметичная (закрытая) камера с контролем сгорания 1 = открытая с дымовым термостатом 2 = Low NOx	0

Для доступа в режим "**Отображение и настройка параметров**" смотрите описание в специальном параграфе.

После завершения установки параметров, указанных в таблице, необходимо полностью выполнить фазу "**Процедура автоматической настройки**".

В случае замены **газового клапана** и/или **электродов розжига** / **обнаружения пламени** и/или **вентилятора** необходимо полностью выполнить "**Процедура автоматической настройки**" описанную в специальном параграфе.

8.6 Коды аномалий и возможные меры устранения

СПИСОК ТРЕВОЖНЫХ СИГНАЛОВ О НЕИСПРАВНОСТЯХ/ ПОЛОМКАХ


Тип	№	Неисправность	Способ устранения
ALL	01	Дымовой термостат	- Обратитесь в сервисный центр
ALL	02	Низкое давление воды в системе	- Добавьте воды - Проверьте систему на предмет утечек
ALL	03	Высокое давление воды в системе	- Откройте сливной кран, установленный на гидравлическом узле, и подождите, пока давление не установится в диапазоне 1-1,2 бар
ALL	04	Неисправность датчика ГВС (неисправность датчика на возврате для моделей "T")	- Проверьте подключения - Проверить функционирование датчика
ALL	05	Неисправность датчика на нагнетании отопления	- Проверьте подключения - Проверить функционирование датчика
ALL	06	Сбой в обнаружении пламени	- Проверьте целостность электрода и убедитесь, что он не заземлен - Проверьте наличие и давление газа - Проверьте, не повреждены ли клапан и электронная плата управления
ALL	07	Срабатывает датчик или предохранительный термостат	- Проверьте подключения датчика или термостата - Выпустите воздух из системы - Проверьте исправность воздушного клапана - Замените датчик или термостат - Убедитесь, что ротор насоса не заблокирован

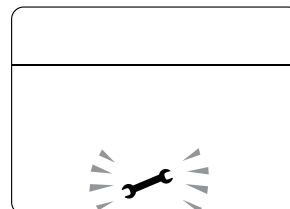
Тип	№	Неисправность	Способ устранения
ALL	08	Сбой в цепи обнаружения пламени	- Проверьте целостность электрода и убедитесь, что он не заземлен - Проверьте, не повреждены ли клапан и электронная плата управления
ALL	09	Отсутствие циркуляции воды в системе	- Проверить вращение ротора насоса - Проверьте электрические подключения - Замените насос
ALL	10	Неисправность вспомогательного датчика	- Убедитесь, что в PAR 02 выбрана настройка "гидравлическая конфигурация" - Проверьте электрическое подключение
ALL	11	Модулятор газового клапана отсоединен	- Проверьте электрическое подключение
ALL	12	Аномалия датчика ГВС в режиме водонагревателя	- Установить параметр PAR 04 (Конфигурация горения) на значение 0
ALL	13	Срабатывание датчик дыма	- Проверить функционирование датчика - Замените датчик дыма
ALL	14	Неисправность датчика дыма	- Замените датчик дыма - Проверить электрическое соединение датчика дыма - Обратитесь в сервисный центр
ALL	15	Кабель контроля отсоединенного вентилятора	- Проверьте соединительные кабели между вентилятором и платой
ALL	18	Ненормальный уровень конденсата	- Проверьте, не забились ли труба, по которой конденсат попадает в сифон - Проверьте, не забился ли сифон
ALL	28	Достигнуто максимальное кол-во последовательных блокировок	- Подождать 1 час и попытаться разблокировать плату - Обратитесь в сервисный центр
ALL	30	Неисправность датчика на возврате (неисправность датчика водонагревателя для моделей "T")	- Заменить датчик на возврате - Проверить параметры - Обратитесь в сервисный центр
ALL	37	Неисправность из-за низкого давления в сети	- Проверить напряжение - Обратитесь к поставщику электроэнергии
ALL	40	Обнаружение неправильной сетевой частоты	- Обратитесь к поставщику электроэнергии
ALL	41	Утеря пламени более 6 раз подряд	- Проверить электрод включения/обнаружения пламени - Проверьте, не перекрыт ли газовый кран - Проверьте давление газа в сети
ALL	42	Неисправность кнопок	- Проверьте исправность кнопок
ALL	43	Неисправность дистанционного управления (Open Therm)	- Проверить электрическое соединение ОТ
ALL	44	Аномалия истечения лимита времени газового клапана без пламени	- Проверить газовый клапан и плату
ALL	56	Блокировка в связи с ΔT на подаче/возврате за пределами максимального диапазона (открытое вентиляционное отверстие)	- Обратитесь в сервисный центр
ALL	57	Блокировка в связи с контролем FT "Flow Temp" открытого вентиляционного отверстия	- Обратитесь в сервисный центр
ALL	62	Требуется процедура самокалибровки	- Запустите процедуру самокалибровки (см. соответствующий пункт руководства)

Тип	№	Неисправность	Способ устранения
ALL	72	Неправильное положение датчика на нагнетании отопления	- Проверить функционирование и позиционирование датчика на нагнетании
ALL	74	Неисправность второго датчика на нагнетании	- Проверить функционирование и позиционирование второго датчика на нагнетании
ALL	77	Ошибка макс./мин. абсолютных пределов тока EV2 SGV	- Проверить газовый клапан и плату
ALL	78	Ошибка превышения предела тока EV2 SGV	- Проверить газовый клапан и плату
ALL	79	Ошибка нижнего предела тока EV2 SGV	- Проверить газовый клапан и плату
ALL	80	Неисправность вдоль логической линии управления клапана / кабель клапана поврежден	- Проверить газовый клапан и плату
ALL	81	Блокировка из-за сбоя в горении при запуске	- Проверьте, не забился ли дымоход - Проверить воздушную диафрагму (если "BF") - Проверить калибровку газа - Выпустите воздух из газового контура
ALL	82	Блокировка в связи с тем, что контроль горения не был выполнен уже несколько раз	- Проверить электрод - Проверить отводы - Проверить воздушную диафрагму (если "BF") - Проверить калибровку газа
ALL	83	Неравномерное сгорание (временная ошибка)	- Проверьте, не забился ли дымоход - Проверить воздушную диафрагму (если "BF") - Проверить калибровку газа
ALL	84	Уменьшение производительности в связи с (предполагаемым) низким давлением газа сети	- Проверить расход газа
ALL	88	Внутренняя ошибка (защита компонента на схеме)	- Проверить функционирование платы - Заменить плату
ALL	89	Ошибка переменного сигнала обратной связи горения	- Проверить электрод - Проверить отводы - Проверить воздушную диафрагму (если "BF") - Проверить калибровку газа
ALL	90	Ошибка неспособности достижения установочного значения горения	- Проверить электрод - Проверить отводы - Проверить воздушную диафрагму (если "BF") - Проверить калибровку газа
ALL	92	Ошибка достижения системой максимальной корректировки воздуха (при минимальном расходе)	- Проверить электрод - Проверить отводы - Проверить воздушную диафрагму (если "BF") - Проверить калибровку газа
ALL	93	Ошибка неспособности достижения установочного значения горения	- Проверить электрод - Проверить отводы - Проверить воздушную диафрагму (если "BF") - Проверить калибровку газа
ALL	95	Ошибка микровыключений по сигналу пламени	- Проверить электрод - Проверить плату - Проверить электропитание - Проверить калибровку газа

Тип	№	Неисправность	Способ устранения
ALL	96	Блокировка из-за закупоривания дымохода	- Проверьте, не забился ли дымоход - Проверить выпуск дыма и позиционирование электрода (не должен касаться горелки)
ALL	98	Ошибка ПО, запуска схемы	- Обратитесь в сервисный центр
ALL	99	Общая ошибка схемы	- Обратитесь в сервисный центр
-	-	Частое срабатывание предохранительного клапана	- Проверьте давление в контуре - Проверьте состояние расширительного бака
-	-	Недостаточное производство горячей воды для ГВС	- Проверьте исправность переключающего клапана - Проверьте, не нуждается ли в чистке пластинчатый теплообменник - Проверьте состояние и исправность крана в контуре ГВС

8.6.1 Запрос техобслуживания

При достижении периода времени необходимости осуществления техобслуживания котла, на дисплее появляется символ .



Свяжитесь с Технической Службой для программирования необходимых работ.



Fonderie Sime S.p.A - Via Garbo, 27 - 37045 Legnago (Vr)
Tel. +39 0442 631111 - Fax +39 0442 631292 - www.sime.it

Fonderie SIME SpA reserves the right to make changes at any time without prior notice in order to improve its products without compromising the essential characteristics.

Постоянно улучшая свою продукцию, компания SIME SpA оставляет за собой право в любой момент и без предварительного уведомления вносить в нее изменения, сохраняя неизменными ее основные характеристики.